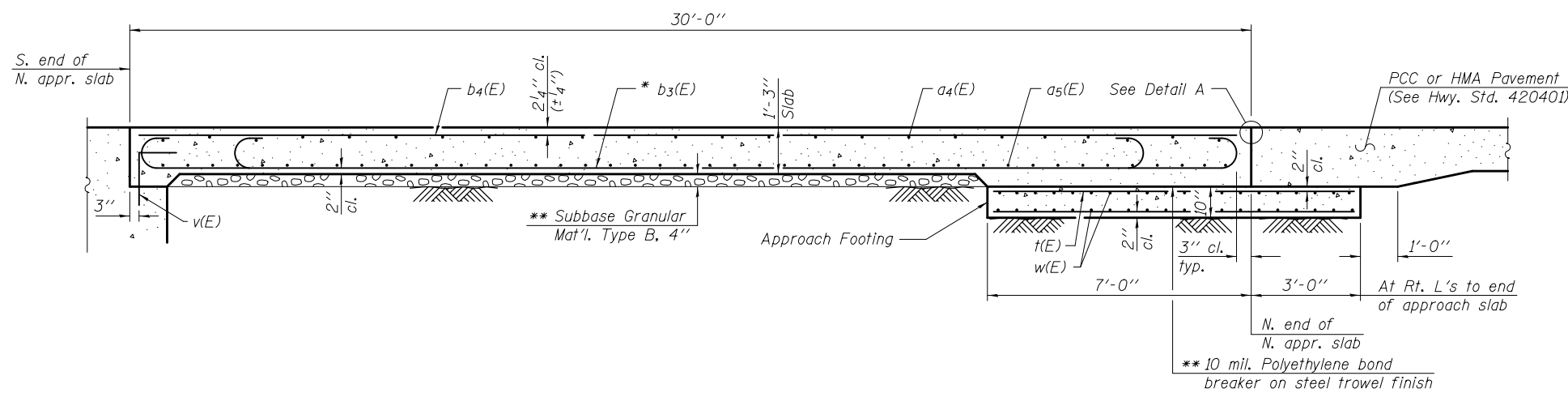


SECTION A-A



SECTION B-B

- * Tilt #9 b3(E) bars as required to maintain clearance.
- ** Cost included with Concrete Superstructure.

Note:
See sheet 32 of 62 for Detail A.

(Sheet 2 of 3)

DESIGNED - DEWEY H. COULTAS
CHECKED - NICHOLAS R. BARNETT
DRAWN - MICHAEL B. MOSSMAN
CHECKED - D.H.C. / N.R.B.

EXAMINED
PASSED
ACTING ENGINEER OF BRIDGE DESIGN
ACTING ENGINEER OF BRIDGES AND STRUCTURES

DATE - FEBRUARY 25, 2013
REVISED
REVISED

STATE OF ILLINOIS
DEPARTMENT OF TRANSPORTATION

NORTH BRIDGE APPROACH SLAB DETAILS
STRUCTURE NO. 010 - 0289

SHEET NO. 33 OF 62 SHEETS

F.A.I. RTE.	SECTION	COUNTY	TOTAL SHEETS	SHEET NO.
74	10-4BR	CHAMPAIGN	290	118
CONTRACT NO. 70700				

ILLINOIS FED. AID PROJECT