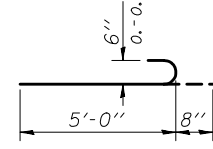
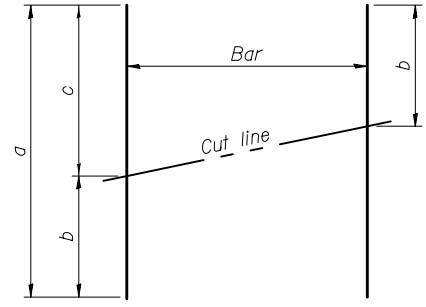


BARS h62(E) & h63(E)



BAR n60(E)

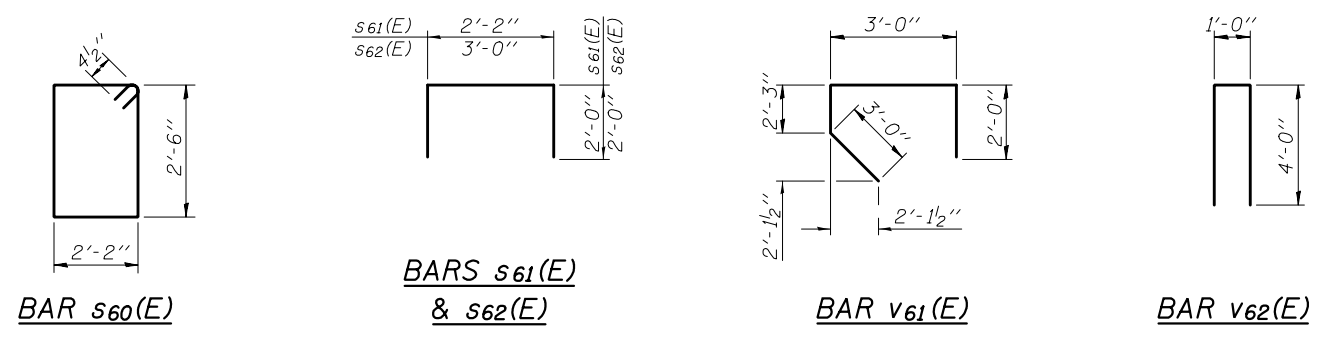
VIEW K-K
(West curtain wall)



FIELD CUTTING DIAGRAM

* Order h65(E) and v68(E) thru v69(E) bars full length. Cut to fit and use the remainder of bars in opposite face.

Bar	a	b	c
h65(E)	22'-6"	4'-3"	18'-3"
v68(E)	23'-0"	7'-3"	15'-9"
v69(E)	13'-0"	6'-2"	6'-10"



BILL OF MATERIAL

Bar	No.	Size	Length	Shape
h60(E)	38	#5	44'-4"	—
h61(E)	7	#5	17'-2"	—
h62(E)	80	#5	5'-0"	┌
h63(E)	16	#5	4'-6"	┌
h64(E)	3	#4	18'-9"	—
h65(E)	16	#5	22'-6"	—
h66(E)	12	#5	27'-0"	—
h67(E)	12	#5	29'-0"	—
h68(E)	8	#6	29'-0"	—
h69(E)	4	#6	23'-0"	—
n60(E)	102	#6	5'-8"	└
p60(E)	9	#7	45'-10"	—
s60(E)	41	#4	10'-1"	└
s61(E)	20	#4	6'-2"	└
s62(E)	18	#4	7'-0"	└
f60(E)	63	#6	6'-4"	—
f61(E)	47	#5	6'-4"	—
v60(E)	90	#6	13'-9"	—
v61(E)	43	#5	10'-3"	└
v62(E)	43	#5	9'-0"	└
v63(E)	68	#5	3'-0"	—
v64(E)	6	#5	19'-0"	—
v65(E)	16	#5	22'-0"	—
v66(E)	11	#5	12'-0"	—
v67(E)	6	#5	19'-6"	—
v68(E)	16	#5	23'-0"	—
v69(E)	11	#5	13'-0"	—
v80(E)	8	#5	3'-0"	—
w60(E)	14	#5	46'-4"	—
Structure Excavation	Cu. Yd.		153	
Concrete Structures	Cu. Yd.		115	
Reinforcement Bars, Epoxy Coated	Pound		11,950	
Furnishing Metal Shell Piles, 12" x 0.25"	Foot		563	
Driving Piles	Foot		563	
Test Pile, Metal Shells	Each		2	
Concrete Sealer	Sq. Ft.		1240	
Pile Shoes	Each		21	