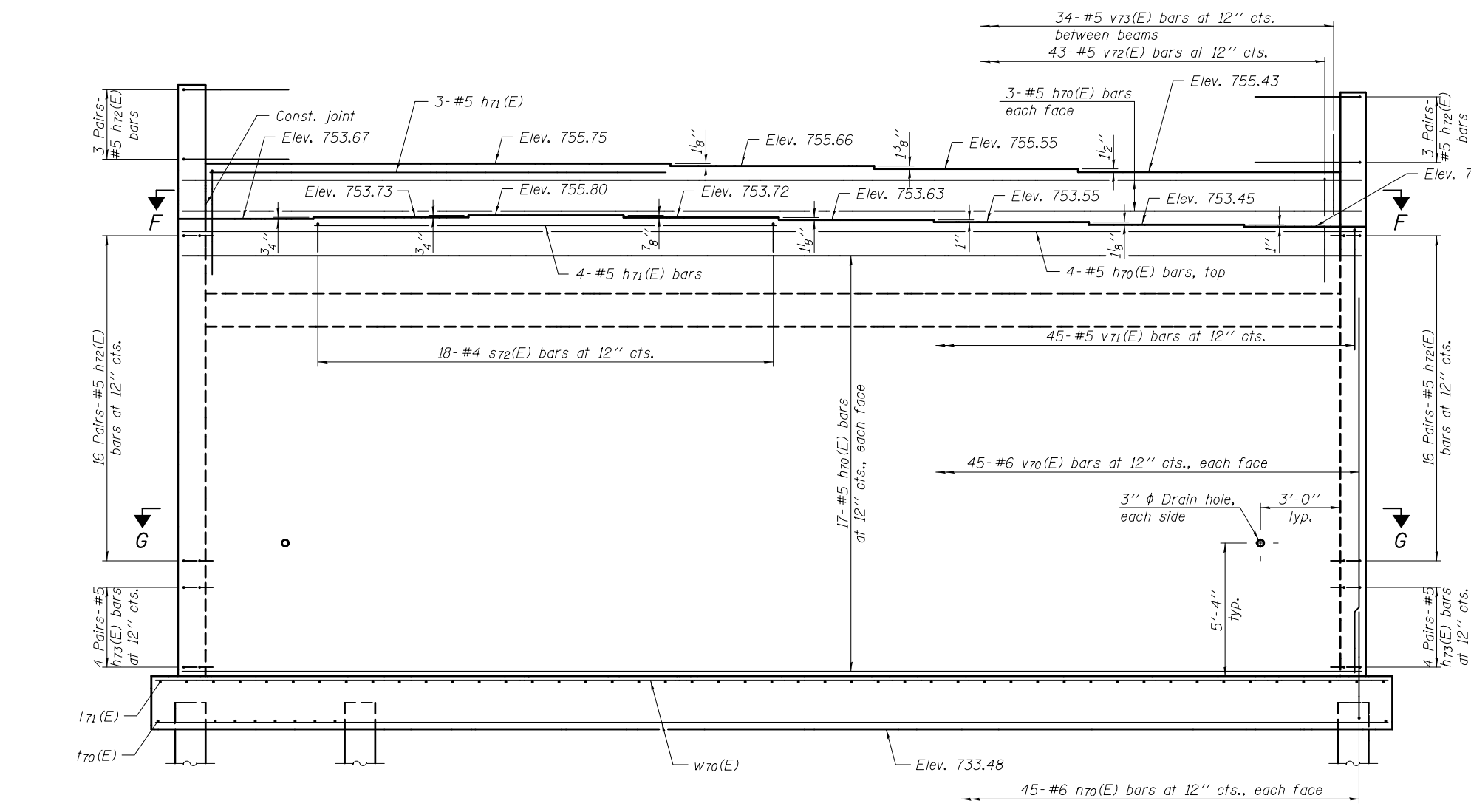
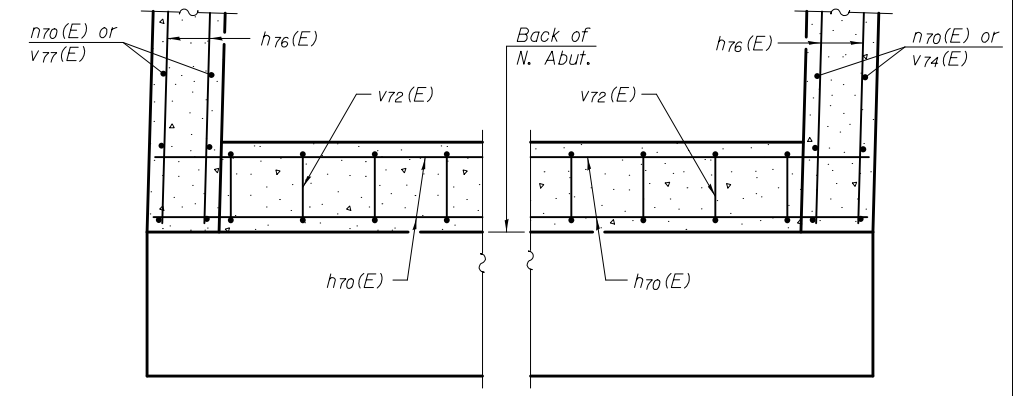


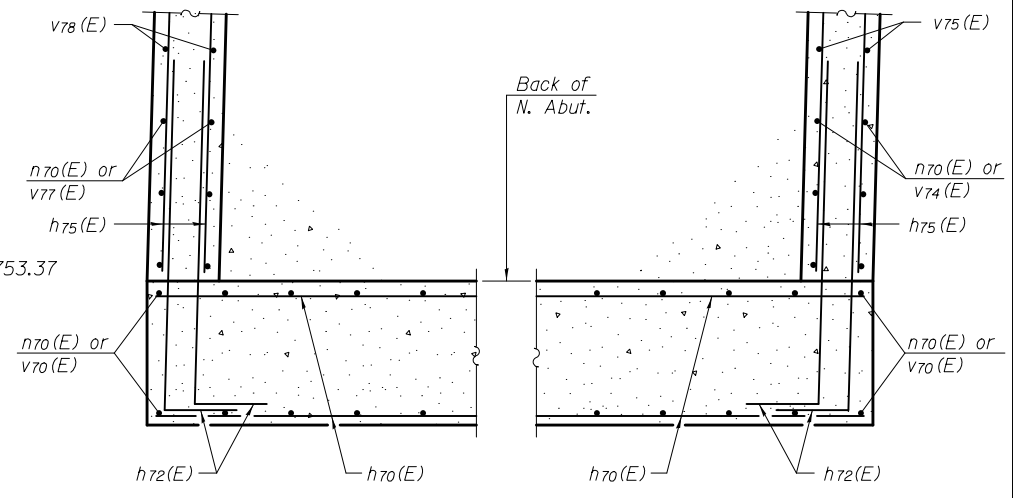
VIEW D-D



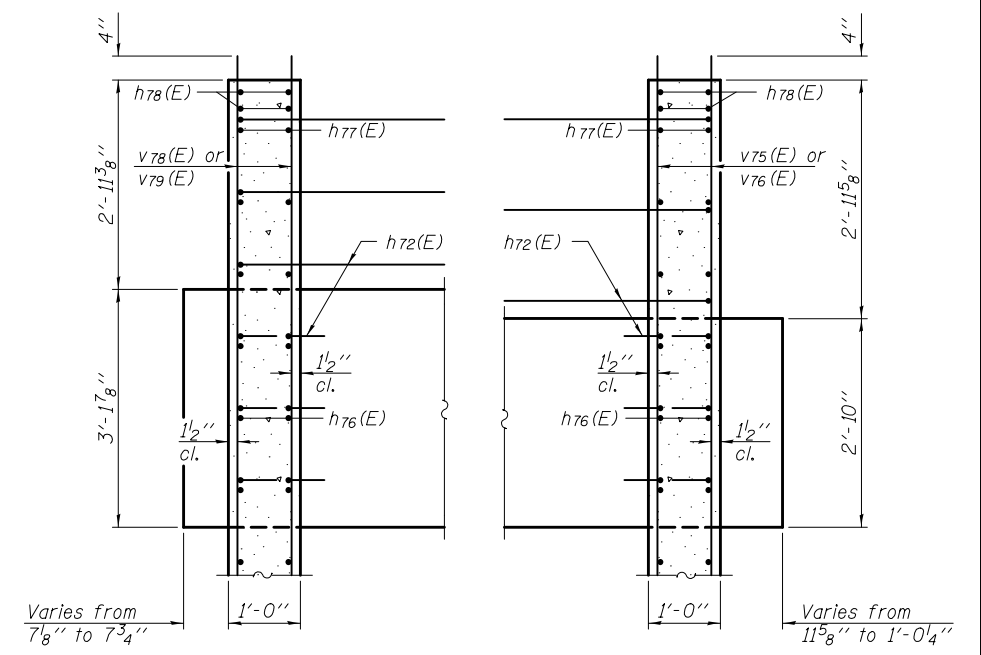
VIEW E-E



SECTION F-F



SECTION G-G



SECTION H-H

Notes:  
 Pour steps monolithically with cap.  
 Space reinforcement to miss anchor bolts.

DESIGNED - NICHOLAS R. BARNETT	EXAMINED - <i>James F. J...</i>	DATE - FEBRUARY 25, 2013	<b>STATE OF ILLINOIS DEPARTMENT OF TRANSPORTATION</b>	<b>NORTH ABUTMENT STRUCTURE NO. 010 - 0289</b>	F.A.I. R.T.E. - 74	SECTION - 10-4BR	COUNTY - CHAMPAIGN	TOTAL SHEETS - 290	SHEET NO. - 139	
CHECKED - DEWEY H. COULTAS	PASSED - <i>Carl...</i>	REVISED			SHEET NO. 54 OF 62 SHEETS		CONTRACT NO. 70700			
DRAWN - MICHAEL B. MOSSMAN	ACTING ENGINEER OF BRIDGES AND STRUCTURES	REVISED			ILLINOIS FED. AID PROJECT					
CHECKED - D.H.C. / N.R.B.										