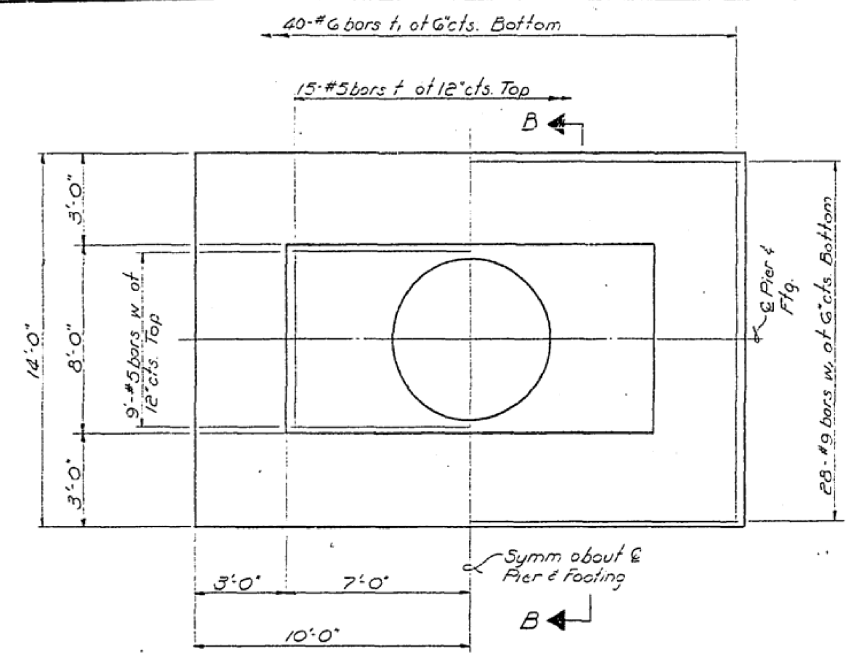
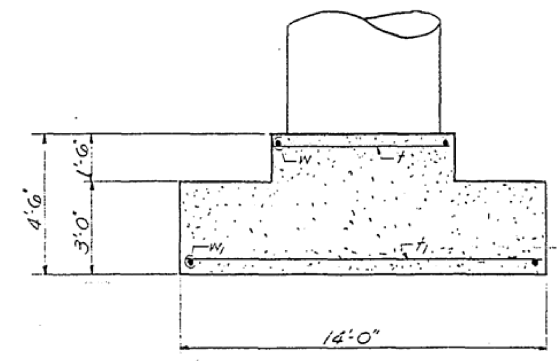


STATE OF ILLINOIS  
DEPARTMENT OF PUBLIC WORKS & BUILDINGS  
DIVISION OF HIGHWAYS

ROUTE NO.	SECTION	SUBJECT	TOTAL SHEETS	SHEET NO.	SHEET NO. 14 18 SHEETS
F.A.I. 74	10-4	CHAMPAIGN	34	20	
FED. ROAD DIST. NO. 7	BLANCK	FED. AID PROJECT			



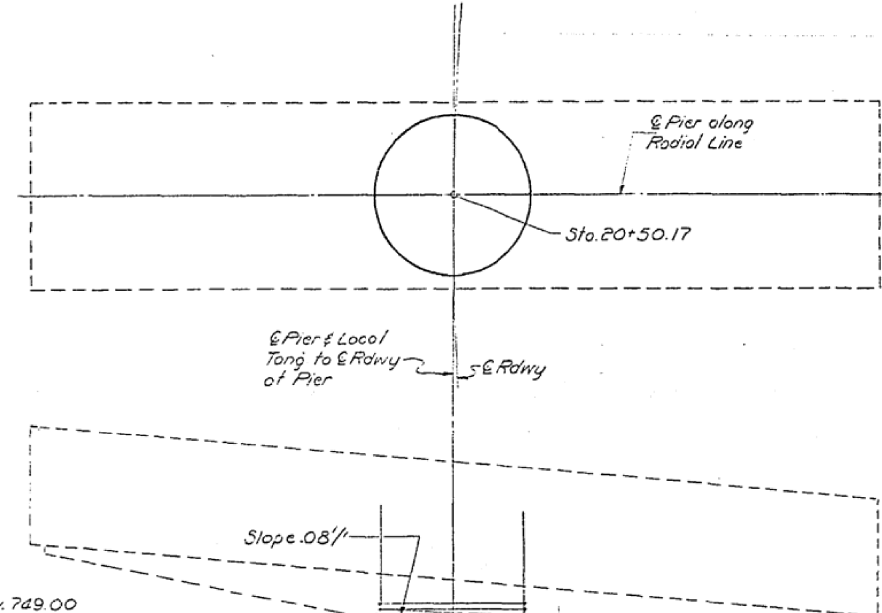
FOOTING PLAN



SECTION B-B

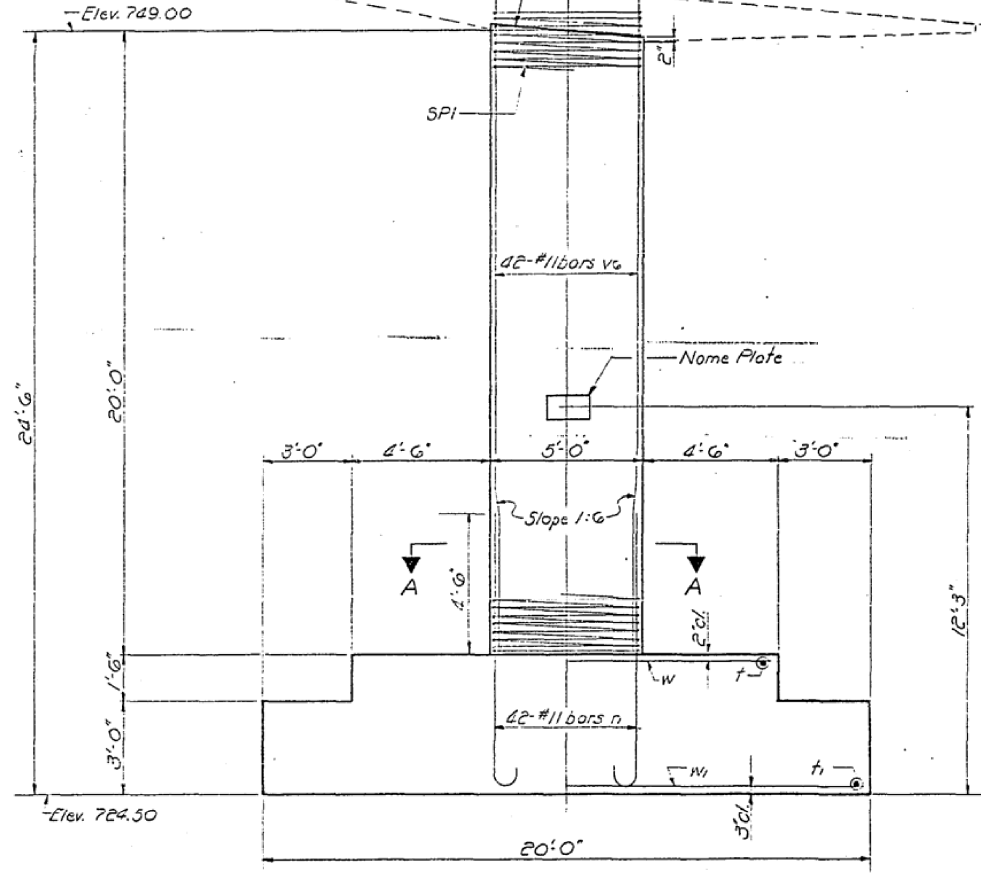
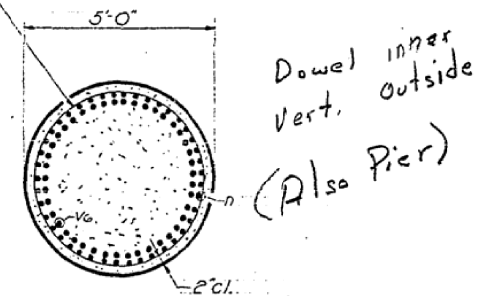
Note:  
Construction joints will  
not be permitted in  
footing.  
Max. Basic Soil Pressure = 3.03 T/sq'

DESIGNED	James M Pence	EXAMINED	July 29 1965
CHECKED	James Flarwig	PASSED	
DRAWN	W.E. Dickerson	APPROVED	
CHECKED	JW JNP		

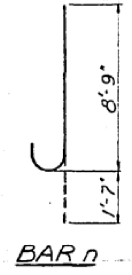


SECTION A-A

2" Spiral 3" pitch Two  
extra turns top &  
bottom. Extend spiral  
hooping 4" into pier cap  
Provide 4 #4 spacers  
each spiral



ELEVATION



BILL OF MATERIAL

Bar No	Size	Length	Shape
n	#11	10'-2"	C
f	#5	7'-9"	
f1	#6	13'-9"	
v6	#11	24'-9"	
w	#5	13'-9"	
w1	#9	19'-9"	
SPI	#4	20'-4"	W

(Inside)  
outside  
(90° bend)

Class X Concrete Cu. Yds. 51.8  
\* Reinforcement Bars Lbs. 11,670  
Name Plate Each 1  
\* Includes weight of Spiral spacers

PIER I  
F.A.I. RT. 74 SEC. 10-4HB-2  
CHAMPAIGN COUNTY  
STA. 1347 + 92.48