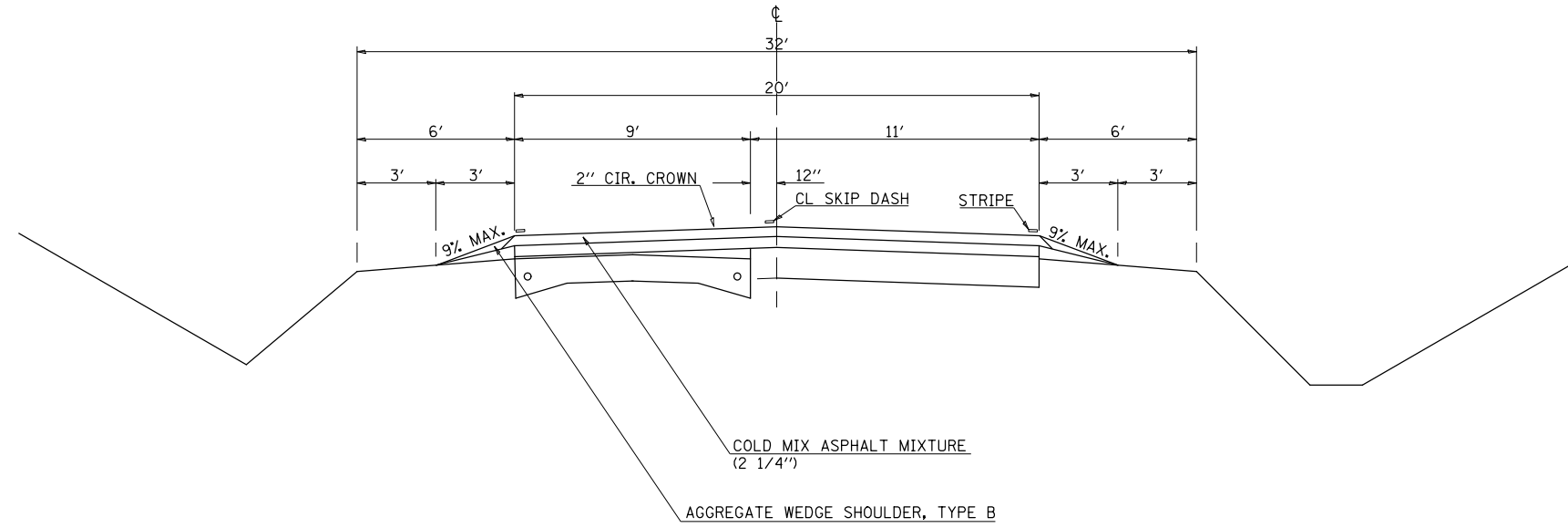


**EXISTING TYPICAL SECTION**

STA. 372+12.5 TO STA. 389+85.0  
 STA. 390+31.5 TO STA. 425+66.3

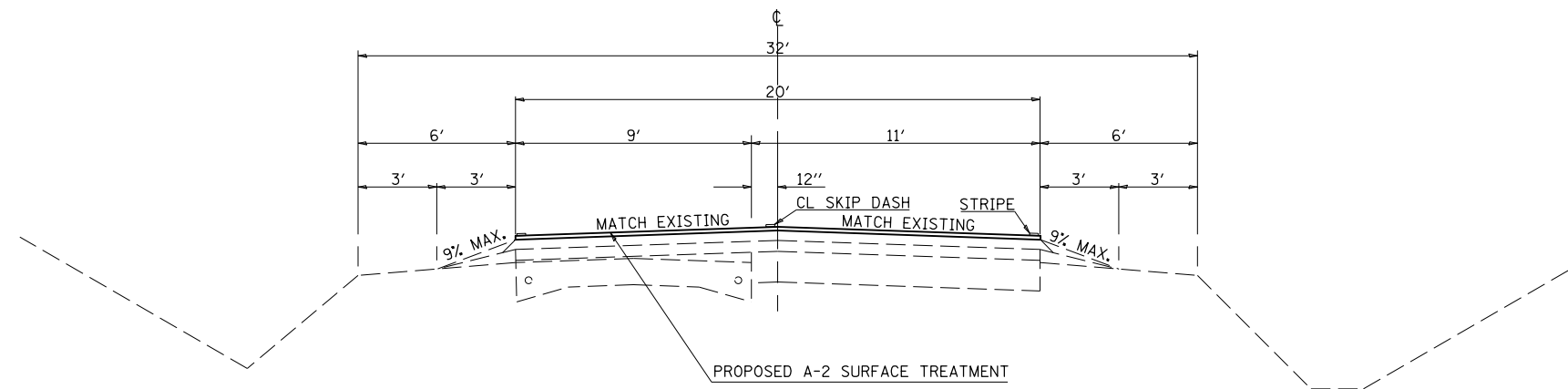
**BRIDGE OMISSION: S.N. 010-0107**  
 STA. 389+85.0 TO STA. 390+31.5



**PROPOSED TYPICAL SECTION**

STA. 372+12.5 TO STA. 389+85.0  
 STA. 390+31.5 TO STA. 425+66.3

**BRIDGE OMISSION: S.N. 010-0107**  
 STA. 389+85.0 TO STA. 390+31.5



FILE NAME =	USER NAME = dawsonkb	DESIGNED - _____	REVISED - _____
c:\pwork\work\pwork\dawsonkb\0327346\0570408-sh-typical.dgn		DRAWN - _____	REVISED - _____
	PLOT SCALE = 40.0000' / in.	CHECKED - _____	REVISED - _____
\$MODELNAME\$	PLOT DATE = 1/31/2013	DATE - _____	REVISED - _____

**STATE OF ILLINOIS  
 DEPARTMENT OF TRANSPORTATION**

**EXISTING & PROPOSED TYPICAL SECTION**

SCALE: \_\_\_\_\_ SHEET \_\_\_\_\_ OF \_\_\_\_\_ SHEETS STA. \_\_\_\_\_ TO STA. \_\_\_\_\_

F.A.P. RTE.	SECTION	COUNTY	TOTAL SHEETS	SHEET NO.
522	(41,41-15D)Q	Champaign	15	8
ILLINOIS FED. AID PROJECT			CONTRACT NO. 70A09	