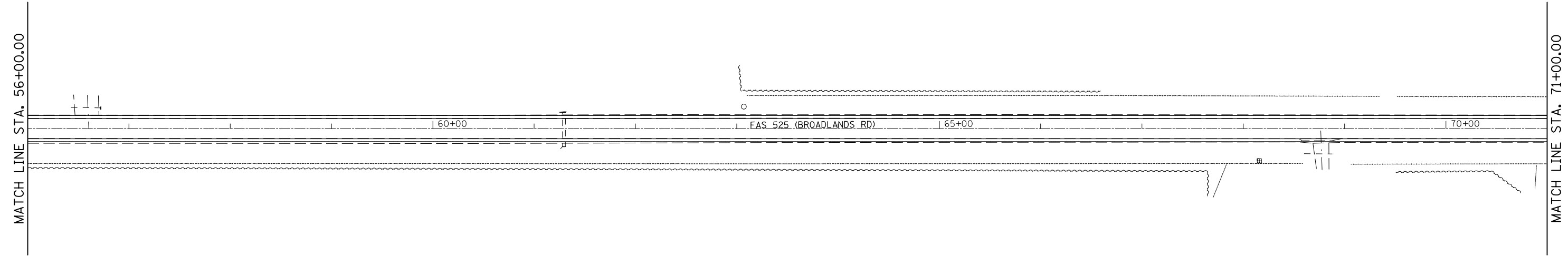
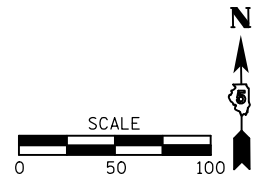
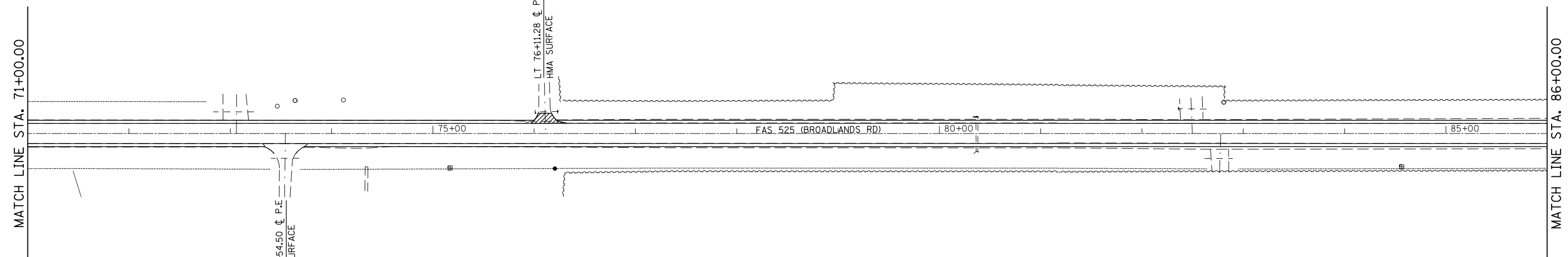
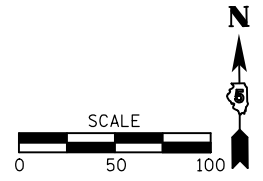


SEC. 23 - T 17 N - R 10 E - 3RD PM



SEC. 26 - T 17 N - R 10 E - 3RD PM

SEC. 23 - T 17 N - R 10 E - 3RD PM



= INCIDENTAL HMA

SEC. 26 - T 17 N - R 10 E - 3RD PM

FILE NAME =	USER NAME = avusuglob	DESIGNED -	REVISED -	<b>STATE OF ILLINOIS DEPARTMENT OF TRANSPORTATION</b>	<b>PLAN SHEET</b>			F.A.S. RTE.	SECTION	COUNTY	TOTAL SHEETS	SHEET NO.
ei:\pw_work\p\dot\avusuglob\d0333684\0570A15-sh1 Db1PIn_50.dgn		DRAWN -	REVISED -		525	(41,48,81)Q	CHAMPAIGN	28	13			
#MODELNAME#	PLOT SCALE = 100.0000' / in.	CHECKED -	REVISED -		SCALE: 1"=50'    SHEET 3 OF 11 SHEETS    STA. ----- TO STA. -----			CONTRACT NO. 70A15				
	PLOT DATE = 3/21/2013	DATE -	REVISED -		ILLINOIS FED. AID PROJECT							