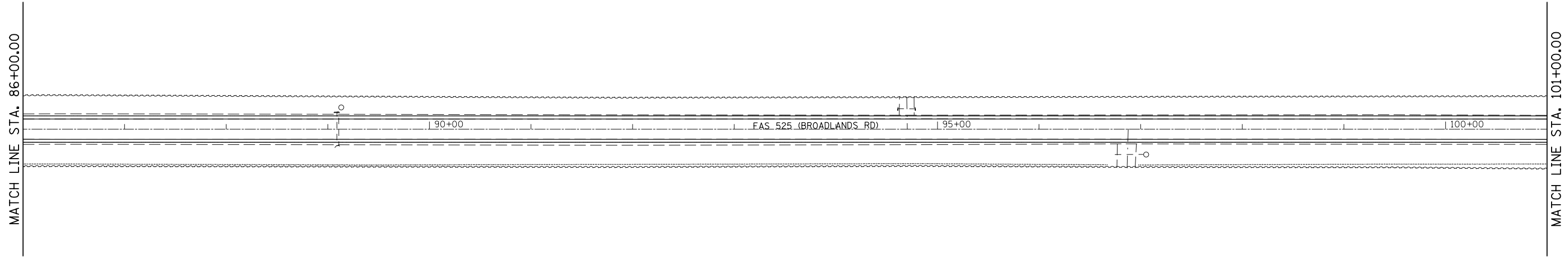
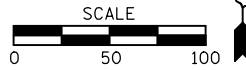
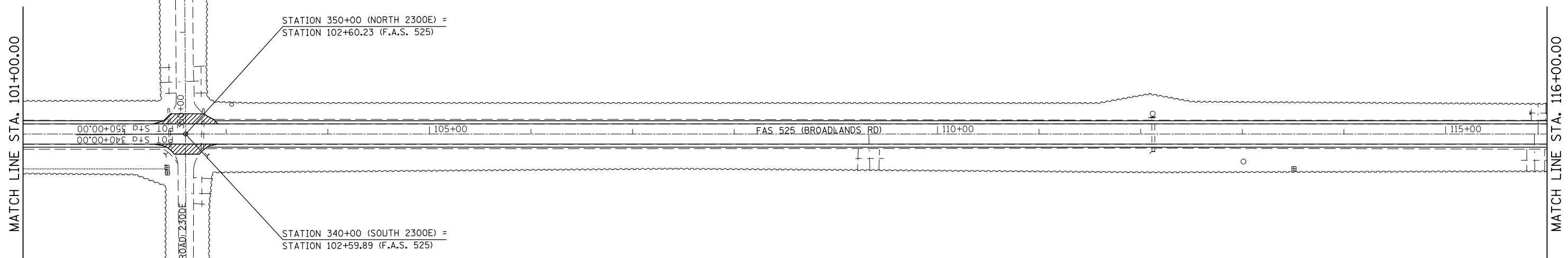



SEC. 23 - T 17 N - R 10 E - 3RD PM



SEC. 26 - T 17 N - R 10 E - 3RD PM

SEC. 24 - T 17 N - R 10 E - 3RD PM



 = INCIDENTAL HMA

SEC. 25 - T 17 N - R 10 E - 3RD PM

FILE NAME =	USER NAME = avusuglob	DESIGNED -	REVISED -
ei:\pwork\pwork\avusuglob\0333684\0570A15-sh1 Db1Pln_50.dgn		DRAWN -	REVISED -
	PLOT SCALE = 100.0000' / in.	CHECKED -	REVISED -
#MODELNAME#	PLOT DATE = 3/21/2013	DATE -	REVISED -

STATE OF ILLINOIS
DEPARTMENT OF TRANSPORTATION

PLAN SHEET

SCALE: 1"=50' SHEET 4 OF 11 SHEETS STA. ----- TO STA. -----

F.A.S. RTE.	SECTION	COUNTY	TOTAL SHEETS	SHEET NO.
525	(41,48,81)Q	CHAMPAIGN	28	14
CONTRACT NO. 70A15			ILLINOIS FED. AID PROJECT	