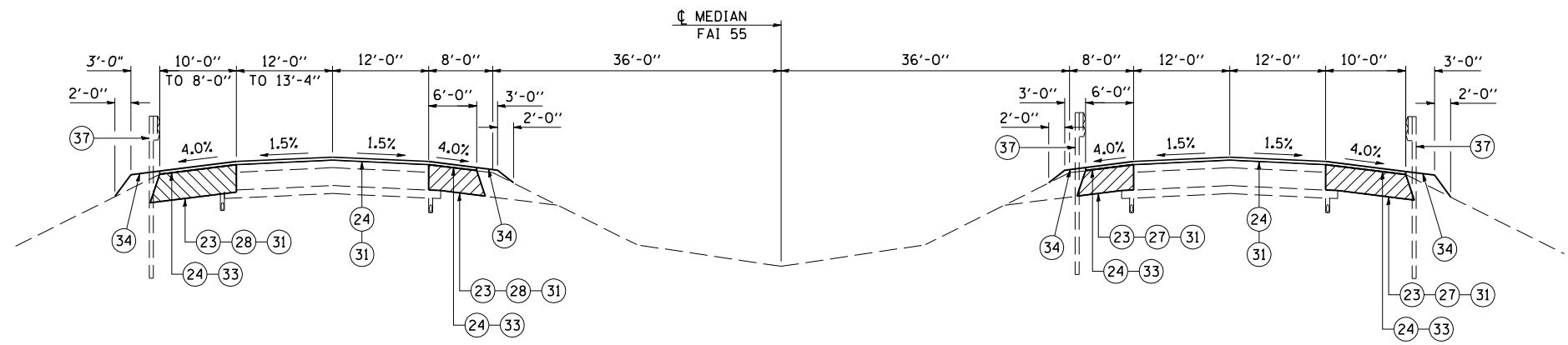


⑧
 FAI ROUTE 55
 PROPOSED APPROACH ROADWAY TYPICAL CROSS SECTIONS
 SN 054-0060 & 054-0061
 SB I-55 STA 703+58.10 TO STA 704+58.10 ⑨ NB I-55 STA 702+43.48 TO STA 703+43.48 ⑨



⑦
 FAI ROUTE 55
 PROPOSED APPROACH ROADWAY TYPICAL CROSS SECTIONS
 SN 054-0060 & 054-0061
 SB I-55 STA 696+52.85 TO STA 697+52.85 ⑥ NB I-55 STA 695+51.35 TO STA 696+51.35 ⑥

OMISSIONS
 (SB I-55)
 SN 054-0060
 STA 698+03.74 TO STA 702+94.11
 BRIDGE APPROACH PAVEMENT
 STA 697+73.14 TO STA 698+03.74
 STA 702+94.11 TO STA 703+24.11
 BRIDGE APPROACH PAVEMENT CONNECTOR (PCC)
 STA 697+53.56 TO STA 697+73.74
 STA 703+24.11 TO STA 703+59.73

(NB I-55)
 SN 054-0061
 STA 697+02.23 TO STA 701+92.60
 BRIDGE APPROACH PAVEMENT
 STA 696+72.23 TO STA 697+02.23
 STA 701+92.60 TO STA 702+22.60
 BRIDGE APPROACH PAVEMENT CONNECTOR (PCC)
 STA 696+51.35 TO STA 696+72.23
 STA 702+22.60 TO STA 702+43.49

LEGEND

1	EX STABILIZED SUBBASE 4"
2	EX CONTINUOUSLY REINFORCED PORTLAND CEMENT CONCRETE PAVEMENT 9"
3	EX PORTLAND CEMENT CONCRETE PAVEMENT 8"
4	EX PORTLAND CEMENT CONCRETE PAVEMENT 10"
5	EX HOT-MIX ASPHALT RESURFACING 1 1/2"
6	EX HOT-MIX ASPHALT RESURFACING 3 3/4"
7	EX HOT-MIX ASPHALT RESURFACING 4 3/4"
8	EX HOT-MIX ASPHALT SHOULDERS 12"
9	EX HOT-MIX ASPHALT SHOULDERS 12 1/4"
10	EX HOT-MIX ASPHALT SHOULDERS 13 3/4"
11	EX AGGREGATE SHOULDERS
12	EX CONCRETE MEDIAN SURFACE 4"
13	EX COMBINATION CONCRETE CURB AND GUTTER TYPE M-6.06
14	EX PIPE UNDERDRAINS
15	EX STEEL PLATE BEAM GUARDRAIL
16	EX COMBINATION CONCRETE CURB AND GUTTER TYPE B-6.24
21	PR PAVEMENT REMOVAL
22	PR MEDIAN REMOVAL
23	PR PAVED SHOULDER REMOVAL
24	PR HOT-MIX ASPHALT SURFACE REMOVAL, VARIABLE DEPTH
25	PR SUBBASE GRANULAR MATERIAL, TYPE A 8"
26	PR HOT-MIX ASPHALT BASE COURSE, 10 1/2"
27	PR HOT-MIX ASPHALT BASE COURSE, 10 3/4"
28	PR HOT-MIX ASPHALT BASE COURSE, 12 1/4"
29	PR HOT-MIX ASPHALT BASE COURSE, 14 1/2"
30	PR LEVELING BINDER (MACHINE METHOD), N90 1 3/4"
31	PR HOT-MIX ASPHALT SURFACE COURSE, MIX "D", N90 1 1/2"
32	PR COMBINATION CONCRETE CURB AND GUTTER TYPE B-6.24
33	PR HOT-MIX ASPHALT SHOULDERS 1 1/2"
34	PR AGGREGATE WEDGE SHOULDERS, TYPE B
35	PR HOT-MIX ASPHALT SHOULDERS 12 1/4"
37	PR REMOVE AND ERECT STEEL PLATE BEAM GUARDRAIL
38	PR SUBBASE GRANULAR MATERIAL, TYPE A 12"
39	PR CONTINUOUSLY REINFORCED CONCRETE PAVEMENT 9"
43	PR STEEL PLATE BEAM GUARDRAIL TYPE A 6' POSTS
44	APPROACH SLAB REMOVAL
45	PR STEEL PLATE BEAM GUARDRAIL TYPE A 9' POSTS



JOB = 2236.10	DESIGNED - NAK	REVISED -
FILE NAME = D672E11-sht-typical.dgn	DRAWN - TJD	REVISED -
PLOT SCALE = 20.0000' / IN.	CHECKED - NAK	REVISED -
PLOT DATE = 4/1/2013	DATE - 1/18/2011	REVISED -

**STATE OF ILLINOIS
DEPARTMENT OF TRANSPORTATION**

FAI 55 TYPICAL CROSS SECTIONS SN 054-0060, 0061			
SCALE:	SHEET NO. OF SHEETS	STA. TO STA.	

F.A.I. RTE.	SECTION	COUNTY	TOTAL SHEETS	SHEET NO.
55	D6 LOGAN CO BR 2011-1	LOGAN	429	25
FED. ROAD DIST. NO.			ILLINOIS FED. AID PROJECT	
			CONTRACT NO. 72E11	