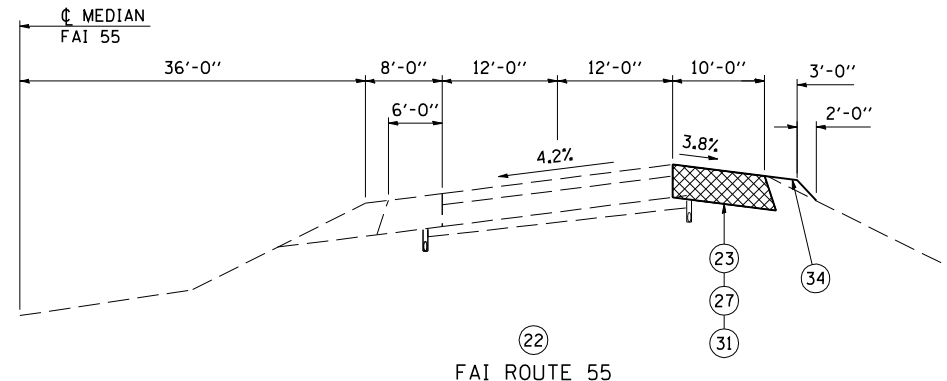
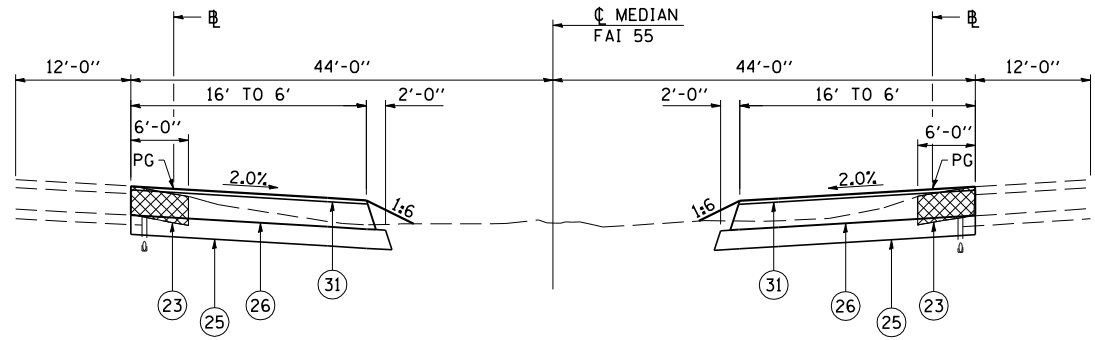


(21) FAI ROUTE 55
 PRE-STAGE 1 TYPICAL CROSS SECTIONS
 SN 054-0065, 0066, 0067, 0068
 STA 449+55 TO STA 453+68.01 (22)



(22) FAI ROUTE 55
 PRE-STAGE 1 TYPICAL CROSS SECTIONS
 SN 054-0065, 0066, 0067, 0068
 (21) STA 453+68.01 TO STA 456+39.00
 STA 457+57.50 TO STA 469+83.00
 STA 471+34.20 TO STA 477+74.00
 STA 481+99.70 TO STA 486+65.00

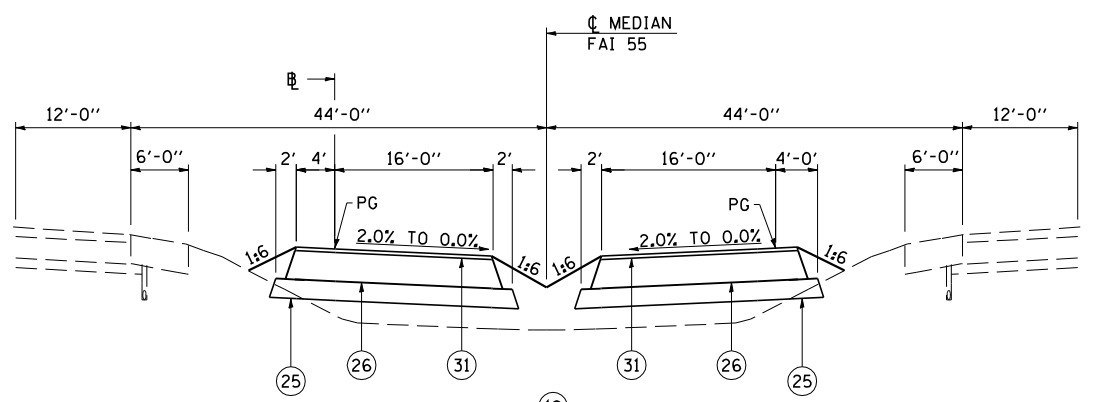
BRIDGE OMISSION
 STA 456+39.00 TO STA 457+57.50
 STA 469+83.00 TO STA 471+34.20



(20) FAI ROUTE 55
 PRE-STAGE 1 TYPICAL CROSS SECTIONS
 SN 054-0065, 0066, 0067, 0068

SB I-55
 (19) STA 448+91.90 TO STA 452+00.00

NB I-55
 (19) STA 448+90.63 TO STA 451+98.64



(19) FAI ROUTE 55
 PRE-STAGE 1 TYPICAL CROSS SECTIONS
 SN 054-0065, 0066, 0067, 0068

SB I-55
 (18) STA 448+18.46 TO STA 448+91.90 (20)

NB I-55
 (18) STA 448+18.46 TO STA 448+90.63 (20)

- LEGEND
- 1 EX STABILIZED SUBBASE 4"
 - 2 EX CONTINUOUSLY REINFORCED PORTLAND CEMENT CONCRETE PAVEMENT 9"
 - 3 EX PORTLAND CEMENT CONCRETE PAVEMENT 8"
 - 4 EX PORTLAND CEMENT CONCRETE PAVEMENT 10"
 - 5 EX HOT-MIX ASPHALT RESURFACING 1 1/2"
 - 6 EX HOT-MIX ASPHALT RESURFACING 3 1/4"
 - 7 EX HOT-MIX ASPHALT RESURFACING 4 3/4"
 - 8 EX HOT-MIX ASPHALT SHOULDERS 12"
 - 9 EX HOT-MIX ASPHALT SHOULDERS 12 1/4"
 - 10 EX HOT-MIX ASPHALT SHOULDERS 13 3/4"
 - 11 EX AGGREGATE SHOULDERS
 - 12 EX CONCRETE MEDIAN SURFACE 4"
 - 13 EX COMBINATION CONCRETE CURB AND GUTTER TYPE M-6.06
 - 14 EX PIPE UNDERDRAINS
 - 15 EX STEEL PLATE BEAM GUARDRAIL
 - 16 EX COMBINATION CONCRETE CURB AND GUTTER TYPE B-6.24

 - 21 PR PAVEMENT REMOVAL
 - 22 PR MEDIAN REMOVAL
 - 23 PR PAVED SHOULDER REMOVAL
 - 24 PR HOT-MIX ASPHALT SURFACE REMOVAL, VARIABLE DEPTH
 - 25 PR SUBBASE GRANULAR MATERIAL, TYPE A 8"
 - 26 PR HOT-MIX ASPHALT BASE COURSE, 10 1/2"
 - 27 PR HOT-MIX ASPHALT BASE COURSE, 10 3/4"
 - 28 PR HOT-MIX ASPHALT BASE COURSE, 12 1/4"
 - 29 PR HOT-MIX ASPHALT BASE COURSE, 14 1/2"
 - 30 PR LEVELING BINDER (MACHINE METHOD), N90 1 3/4"
 - 31 PR HOT-MIX ASPHALT SURFACE COURSE, MIX "D", N90 1 1/2"
 - 32 PR COMBINATION CONCRETE CURB AND GUTTER TYPE B-6.24
 - 33 PR HOT-MIX ASPHALT SHOULDERS 1 1/2"
 - 34 PR AGGREGATE WEDGE SHOULDERS, TYPE B
 - 35 PR HOT-MIX ASPHALT SHOULDERS 12 1/4"
 - 37 PR REMOVE AND ERECT STEEL PLATE BEAM GUARDRAIL
 - 38 PR SUBBASE GRANULAR MATERIAL, TYPE A 12"
 - 39 PR CONTINUOUSLY REINFORCED CONCRETE PAVEMENT 9"
 - 43 PR STEEL PLATE BEAM GUARDRAIL TYPE A 6' POSTS
 - 44 APPROACH SLAB REMOVAL
 - 45 PR STEEL PLATE BEAM GUARDRAIL TYPE A 9' POSTS



JOB = 2236.10	DESIGNED - NAK	REVISED -
FILE NAME = D672E11-sh1-typical.dgn	DRAWN - TJD	REVISED -
PLOT SCALE = 20.0000' / IN.	CHECKED - NAK	REVISED -
PLOT DATE = 4/1/2013	DATE - 1/18/2011	REVISED -

STATE OF ILLINOIS
 DEPARTMENT OF TRANSPORTATION

FAI 55 PRE-STAGE 1 TYPICAL CROSS SECTIONS			
SN 054-0065, 0066, 0067, 0068			
SCALE:	SHEET NO.	OF SHEETS	STA. TO STA.

F.A.I. RTE.	SECTION	COUNTY	TOTAL SHEETS	SHEET NO.
55	D6 LOGAN CO BR 2011-1	LOGAN	429	30
FED. ROAD DIST. NO.			ILLINOIS FED. AID PROJECT	
			CONTRACT NO. 72E11	