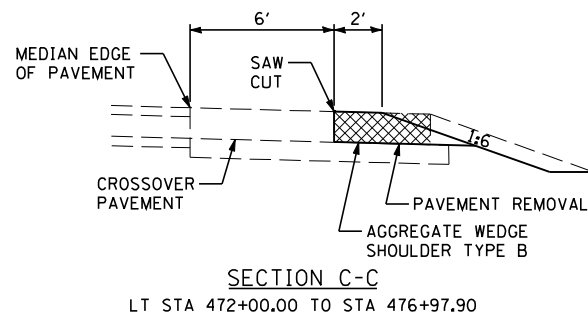
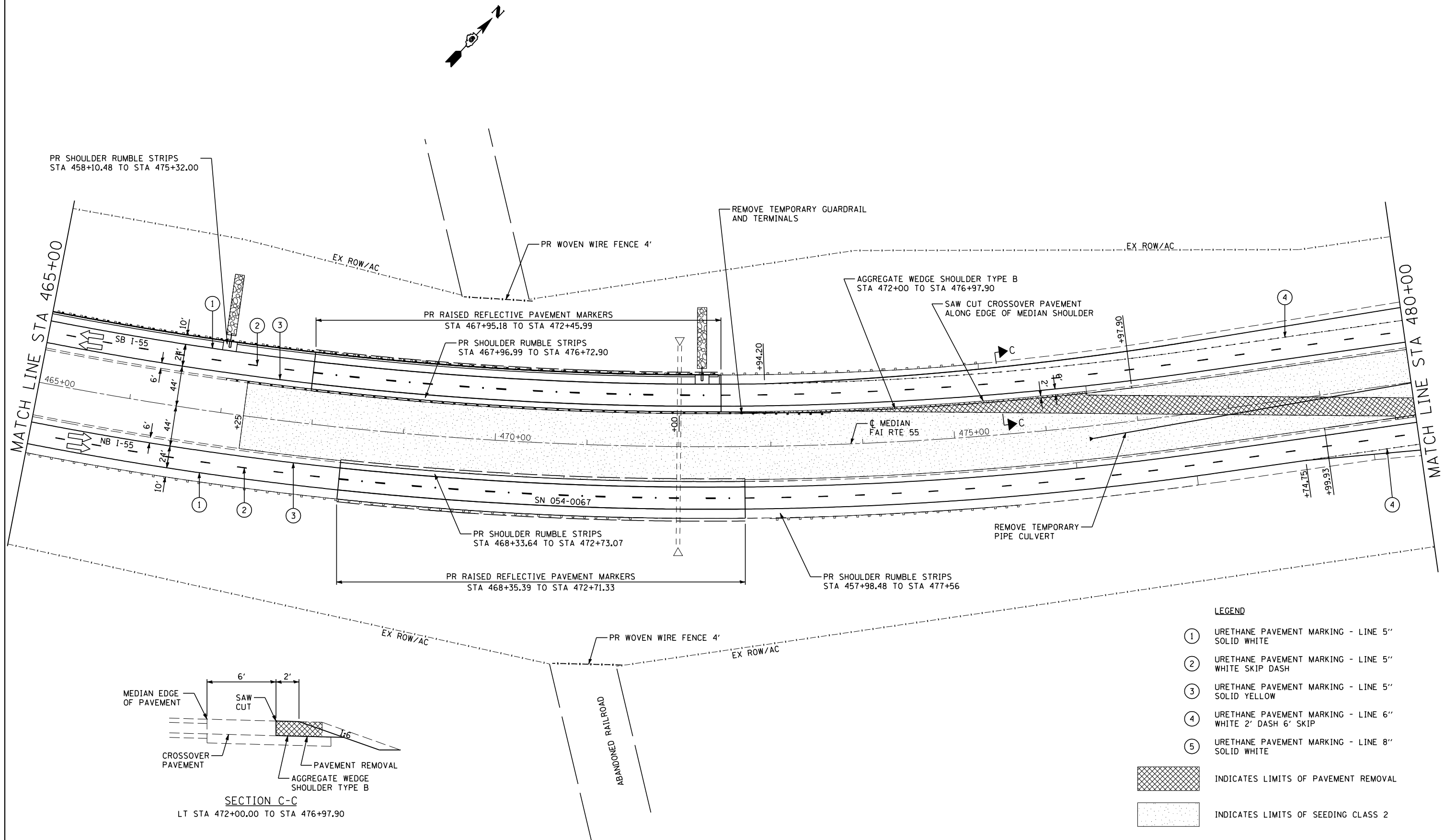
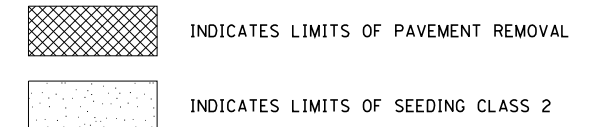


REMOVE TEMPORARY UNDERDRAIN OUTLET EXTENSIONS AND REINSTALL HEADWALLS ON ORIGINAL OUTLET. COST INCLUDED IN COST FOR EARTH EXCAVATION.



LEGEND

- ① URETHANE PAVEMENT MARKING - LINE 5" SOLID WHITE
- ② URETHANE PAVEMENT MARKING - LINE 5" WHITE SKIP DASH
- ③ URETHANE PAVEMENT MARKING - LINE 5" SOLID YELLOW
- ④ URETHANE PAVEMENT MARKING - LINE 6" WHITE 2' DASH 6' SKIP
- ⑤ URETHANE PAVEMENT MARKING - LINE 8" SOLID WHITE



JOB = 2236.10	DESIGNED - NAK	REVISED -
FILE NAME = D672E11-sh1-S3-6568.dgn	DRAWN - TJD	REVISED -
PLOT SCALE = 100.0000' / IN.	CHECKED - NAK	REVISED -
PLOT DATE = 3/18/2013	DATE - 3/3/2011	REVISED -

**STATE OF ILLINOIS
DEPARTMENT OF TRANSPORTATION**

**FINAL PHASE
SN 054-0065, 0066, 0067, 0068**

SCALE: SHEET NO. 4 OF 6 SHEETS STA. 465+00 TO STA. 480+00

F.A.I. RTE.	SECTION	COUNTY	TOTAL SHEETS	SHEET NO.
55	D6 LOGAN CO BR 2011-1	LOGAN	429	163
FED. ROAD DIST. NO. ILLINOIS FED. AID PROJECT			CONTRACT NO. 72E11	