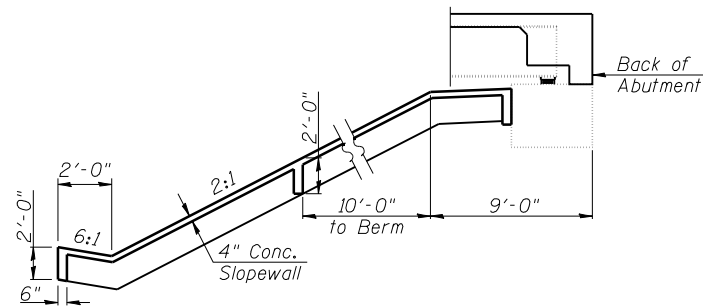
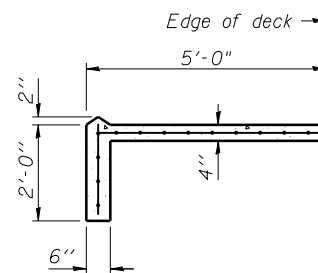


PLAN  
WEST SLOPE WALL REPAIRS



SECTION THRU  
SLOPEWALL



SECTION A-A

LEGEND



BILL OF MATERIAL

ITEM	UNIT	TOTAL
Slope Wall Repair	50 YD	70

Notes:  
Slope wall shall be reinforced with welded wire fabric, 6 in. x 6 in., W4.0 x W4.0, weighing 58 lbs. per 100 sq. ft.  
Do not pour slopewall at abutments until new wingwalls are constructed.