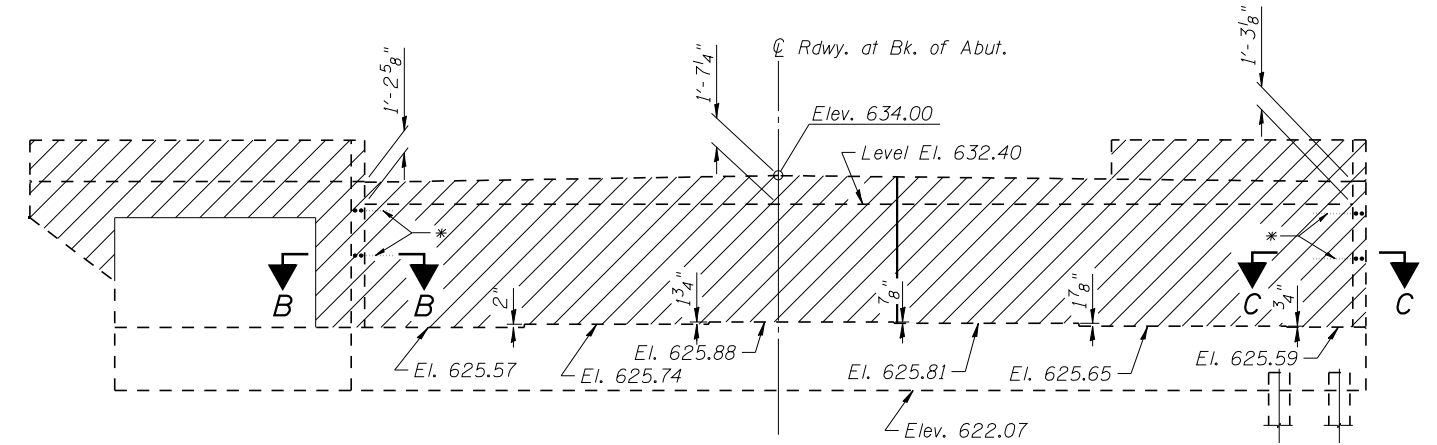
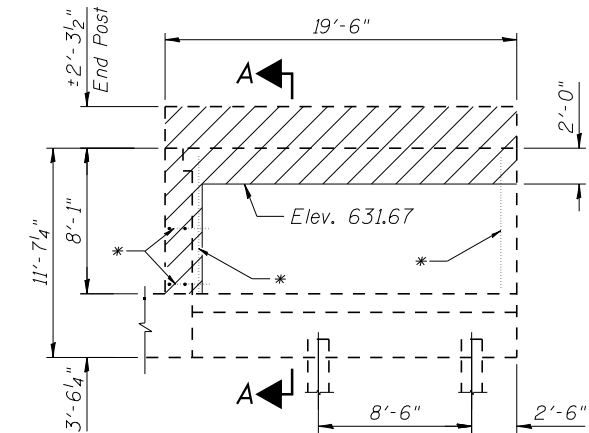


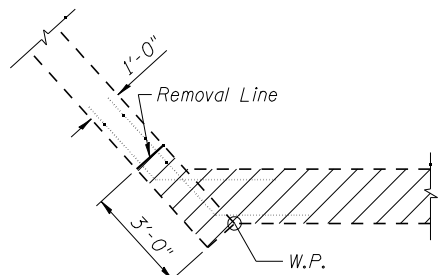
**WINGWALL ELEVATION  
INSIDE WING**



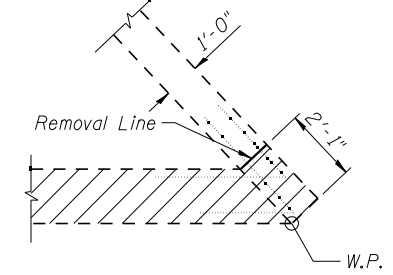
**ELEVATION**



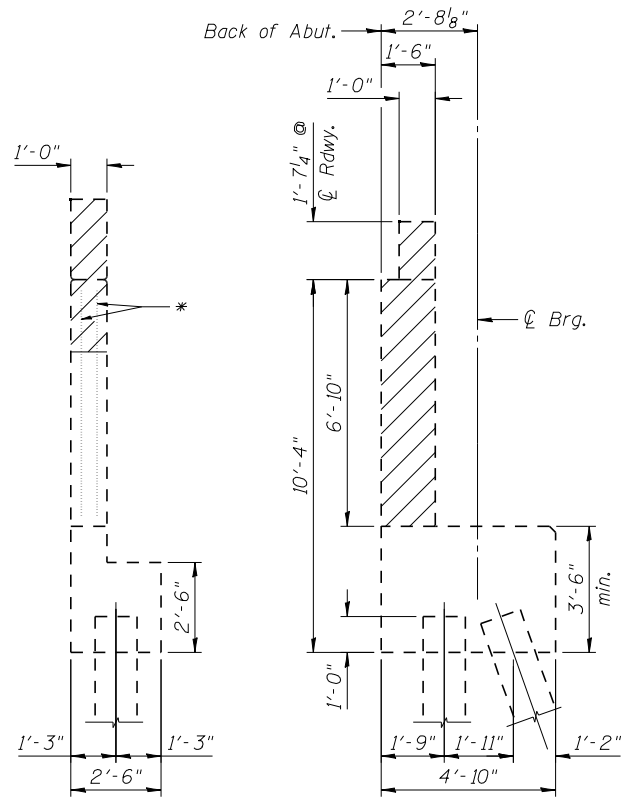
**WINGWALL ELEVATION  
OUTSIDE WING**



**SECTION B-B**

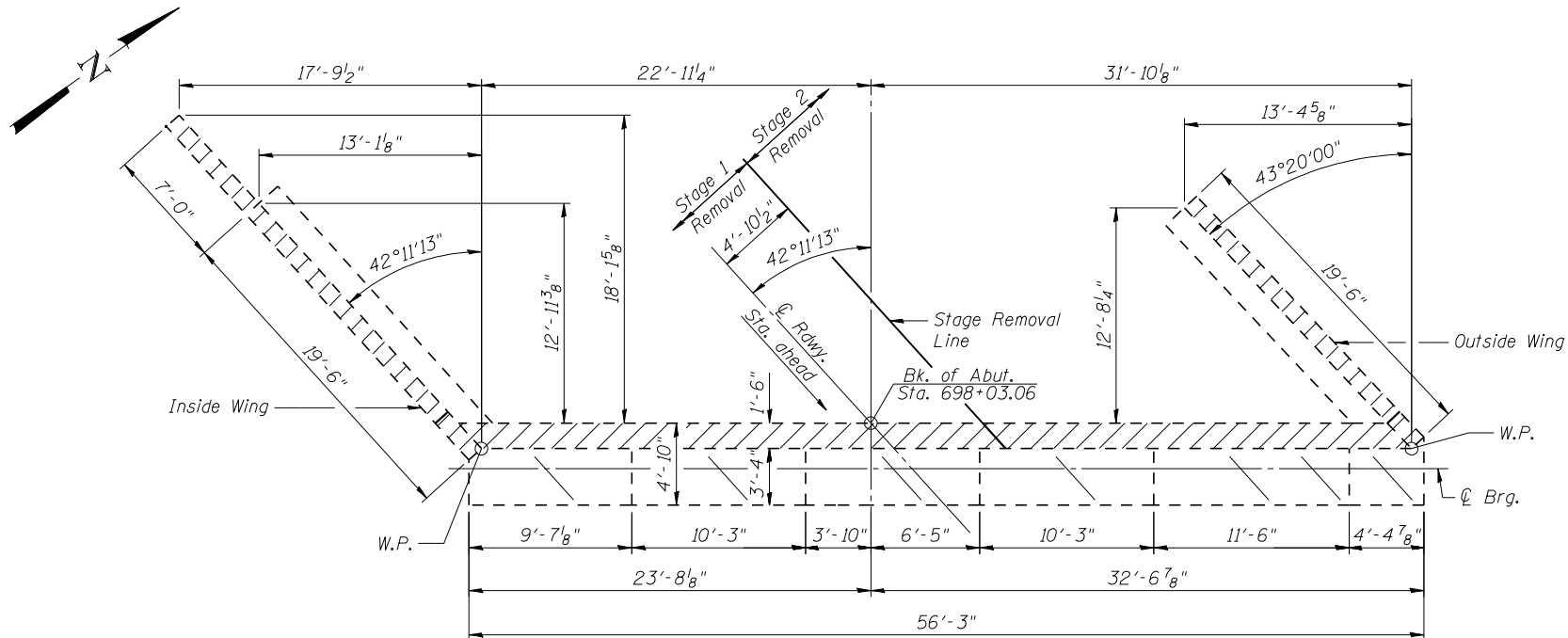


**SECTION C-C**



**SEC. A-A**

**SEC. THRU ABUT.**



**PLAN**

**NOTE**  
Plan elevations relative to the existing structure have been taken from existing plans and reduced by 0.38 feet to match benchmark datum.

\*Existing Reinforcement To Remain (Ea. Wing)

**NOTES**

- Hatched area indicates Concrete Removal.
- Existing Reinforcement which extends into the removal areas is to be preserved, cleaned and incorporated into the new construction in accordance with Section 501.03 of the Standard Specifications. Cost included in CONCRETE REMOVAL.
- See sheet 3 of 53 for Temporary Sheet Piling.

**BILL OF MATERIAL**

Item	Unit	Total
Concrete Removal	Cu. Yd.	32.5