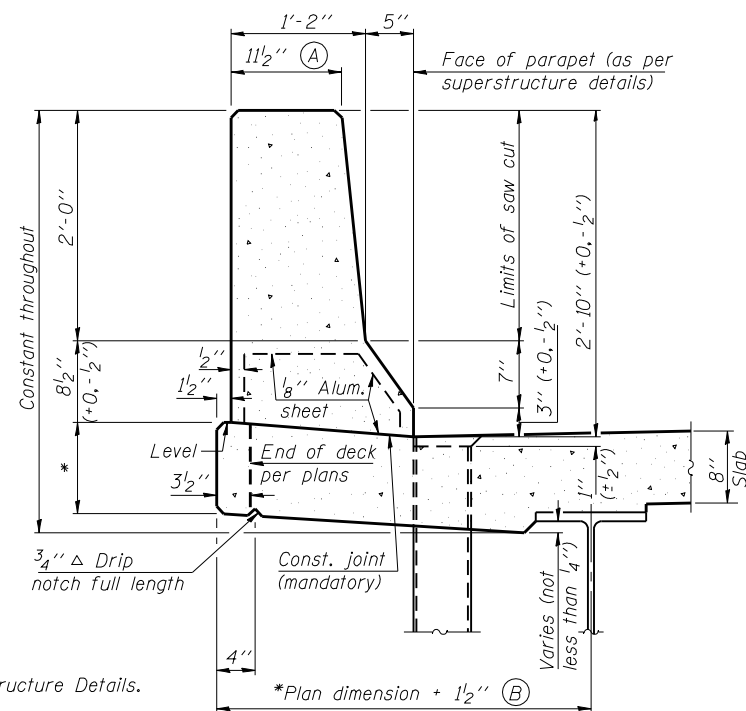


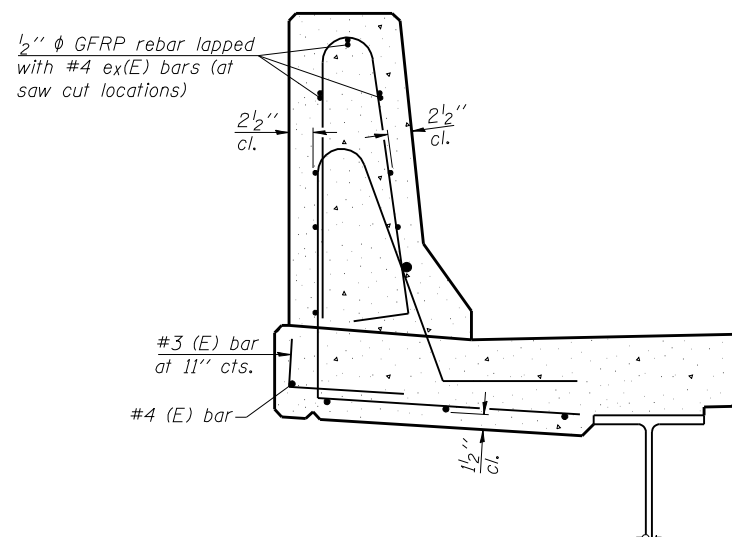
GENERAL NOTES

All dimensions shall remain the same as shown on superstructure details, except dimensions A and B which are to be revised as shown to provide additional clearance. Additional concrete needed to revise dimension A and B = 0.0165 cu. yds./ft. for 34" parapet or = 0.0223 cu. yds./ft. for 42" parapet. Place aluminum sheet in curb portion at and near piers. Full thickness saw cut at all joint locations in lieu of cork filler. Steel superstructure shown. Other superstructure types similar.



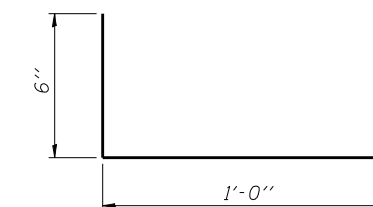
34" F SHAPE PARAPET SECTION
(Showing dimensions)

*See Superstructure Details.

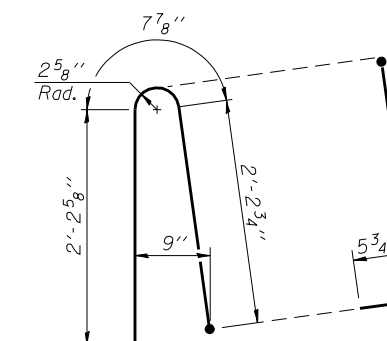


SECTION

(34" parapet shown - 42" parapet similar)
(Showing reinforcement clearances for slip forming and additional reinforcement bars)

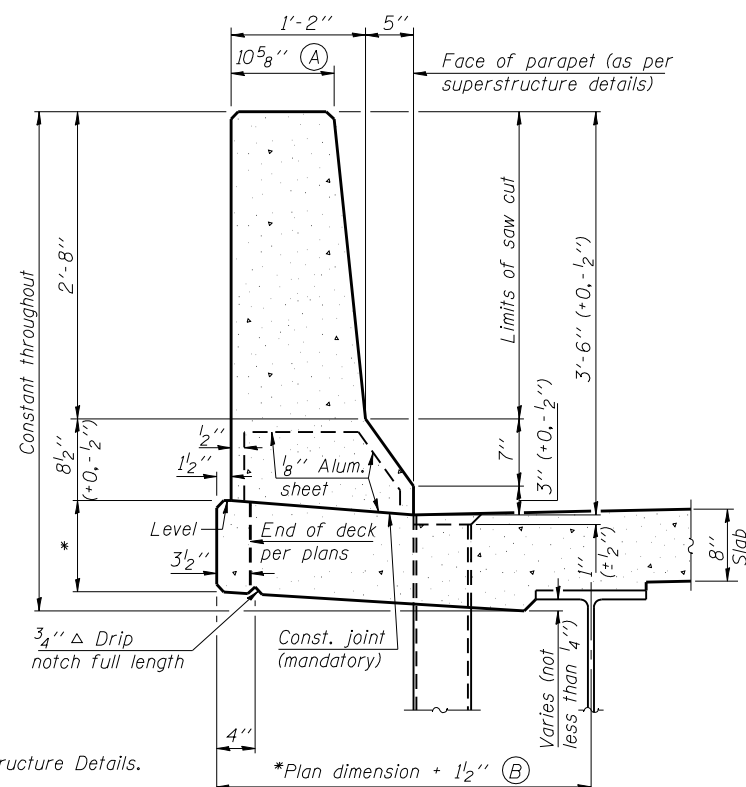


#3 (E) BAR



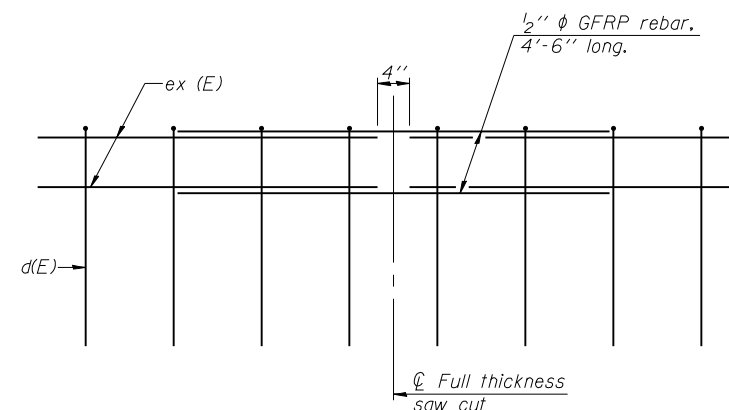
ALTERNATE BAR d(E)

(For 34" parapet when conduit is present)



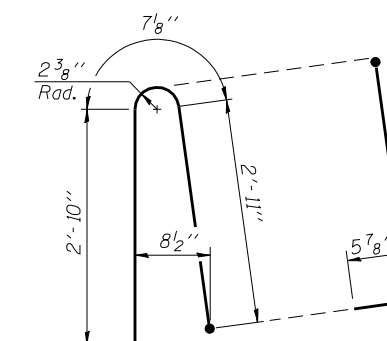
42" F SHAPE PARAPET SECTION
(Showing dimensions)

*See Superstructure Details.



GFRP REBAR STIFFENING DETAIL

(Place as shown in parapet section at each parapet joint location.)



ALTERNATE BAR d(E)

(For 42" parapet when conduit is present)

SFP 34-42

8-16-12

FILE NAME =	USER NAME = .MML.	DESIGNED - RKM	REVISED -
...\\0540063-0064-72e11-038-slipform.dgn		CHECKED - MCB	REVISED -
	PLOT SCALE = 0:2.000000 '1' / IN.	DRAWN - MML	REVISED -
CB PROJECT NO. 10007-3	PLOT DATE = 3/18/2013	CHECKED - RKM	REVISED -

**STATE OF ILLINOIS
DEPARTMENT OF TRANSPORTATION**

**CONCRETE PARAPET SLIPFORMING OPTION
STRUCTURE NO. 054-0063 (N.B.) & 054-0064 (S.B.)**

SHEET NO. 38 OF 38 SHEETS

CB Coombe-Bloxdorf P.C.
- CIVIL ENGINEERS -
- STRUCTURAL ENGINEERS -
- LAND SURVEYORS -
Design Firm License No. 184-002703

F.A.I. RTE.	SECTION	COUNTY	TOTAL SHEETS	SHEET NO.
55	D6 LOGAN CO BR 2011-1	LOGAN	429	323
				CONTRACT NO. 72E11

ILLINOIS FED. AID PROJECT