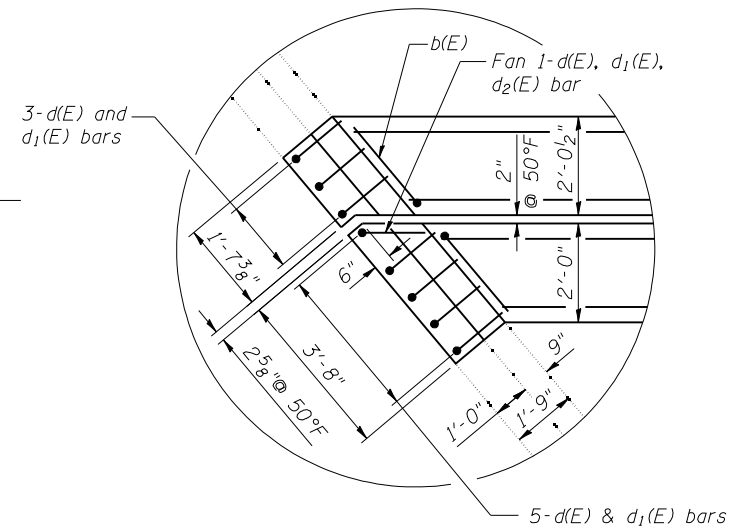
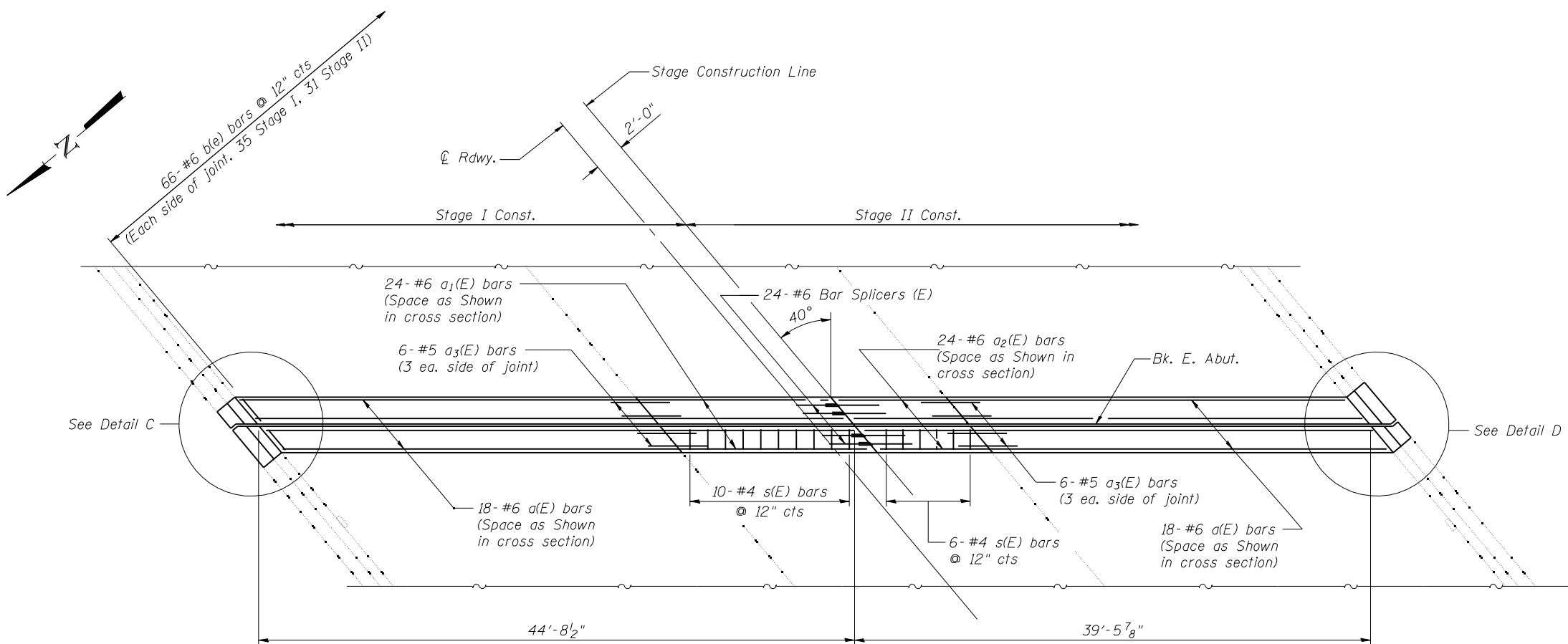


Note:
Cross-hatched areas indicate limits of Concrete Removal.

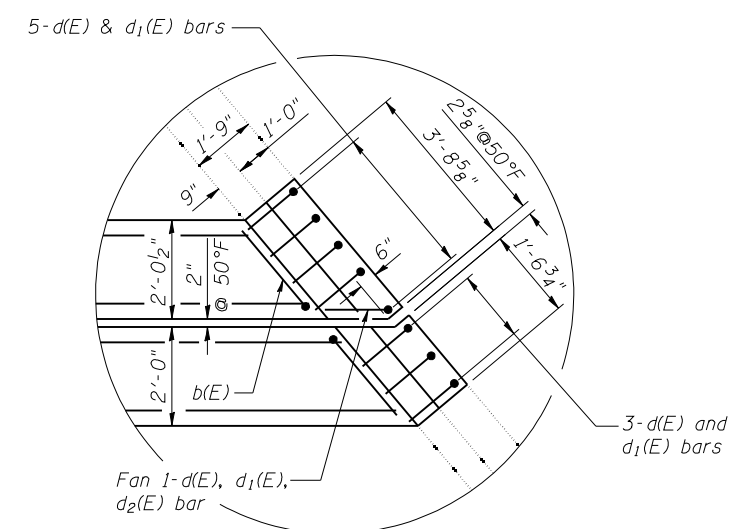
EXISTING PLAN AT EXPANSION JOINT
(E. Abut. Shown - W. Abut. Similar)



DETAIL C



PROPOSED PLAN AT EXPANSION JOINT
(E. Abut. Shown - W. Abut. Similar)



DETAIL D