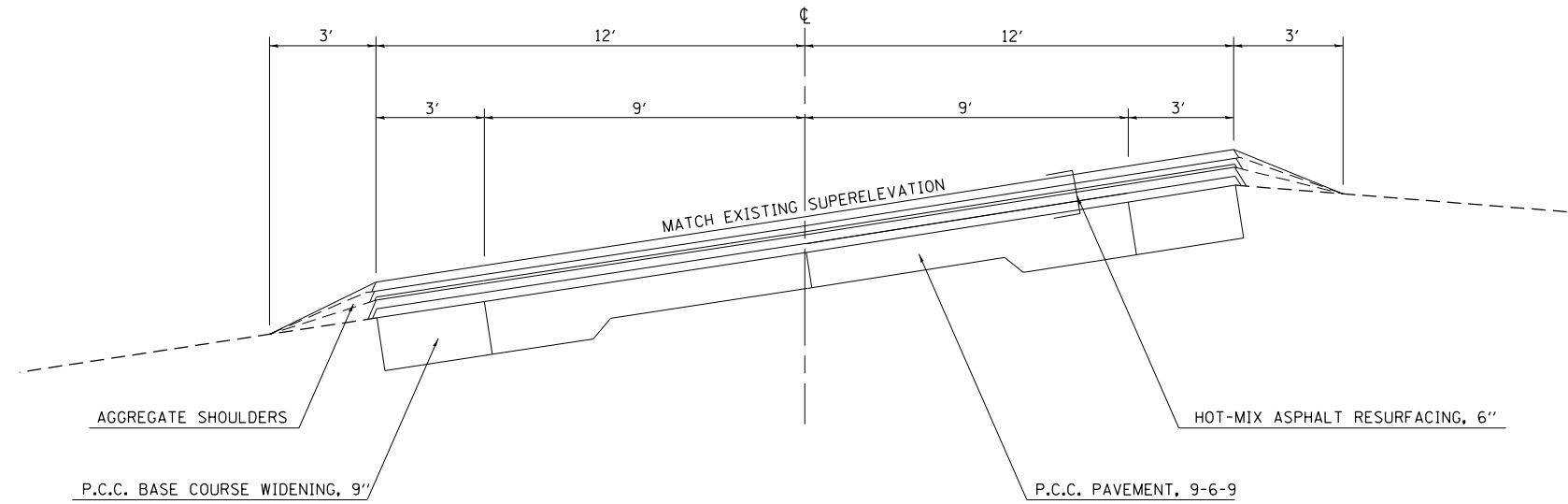


EXISTING TYPICAL CROSS SECTION

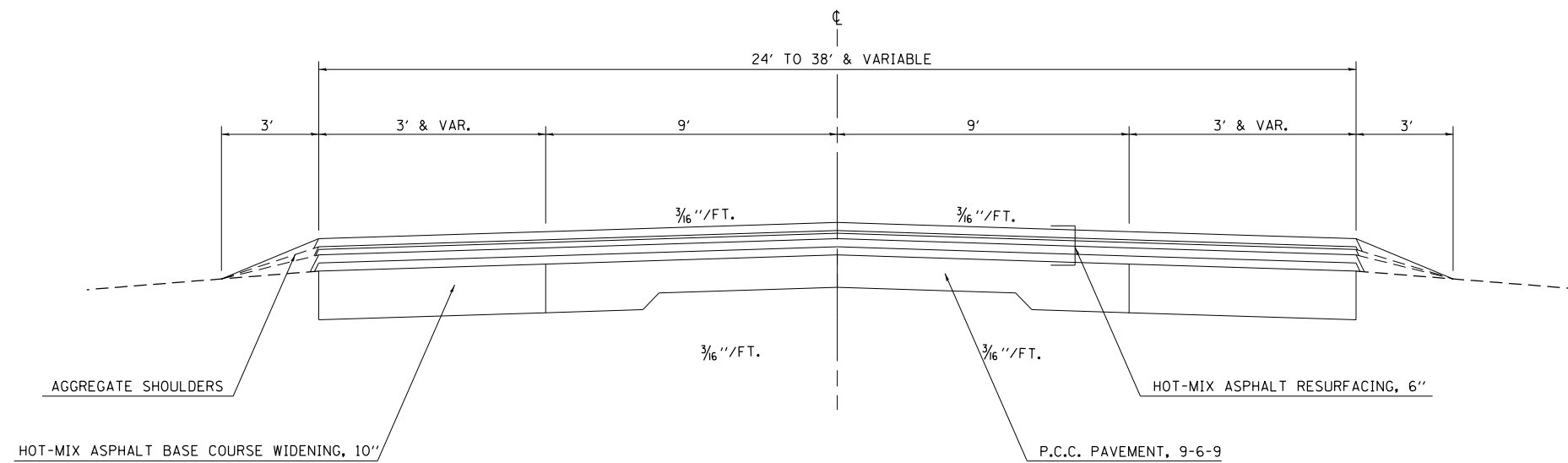
STA. 92+27.90 TO STA. 104+14.17
 STA. 104+14.17 (BK) = STA. 104+64.50 (AH)



NOTE: NOT TO SCALE

EXISTING TYPICAL CROSS SECTION

STA. 109+49.00 TO STA. 123+52.00



NOTE: NOT TO SCALE

FILE NAME =	USER NAME = steffenmk	DESIGNED -	REVISED -	STATE OF ILLINOIS DEPARTMENT OF TRANSPORTATION	EXISTING TYPICAL CROSS SECTION			F.A.P. RTE.	SECTION	COUNTY	TOTAL SHEETS	SHEET NO.	
c:\pwork\pwork\dot\steffenmk\d0147948\0774409-sh-typical1.dgn		DRAWN -	REVISED -		SCALE: NA	SHEET NO. 2 OF 3 SHEETS	STA.	TO STA.	116	(124,125,126)RS-3	RICHLAND	60	8
		CHECKED -	REVISED -					CONTRACT NO. 74409					
		DATE -	REVISED -					ILLINOIS FED. AID PROJECT					