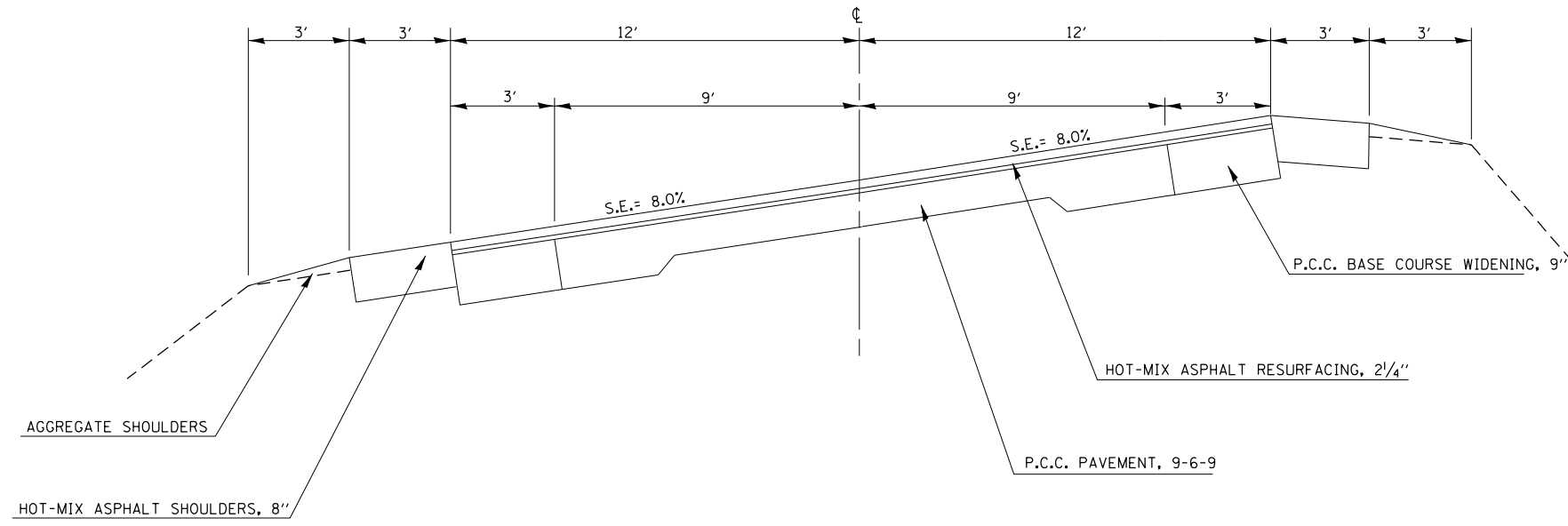


EXISTING TYPICAL CROSS SECTION

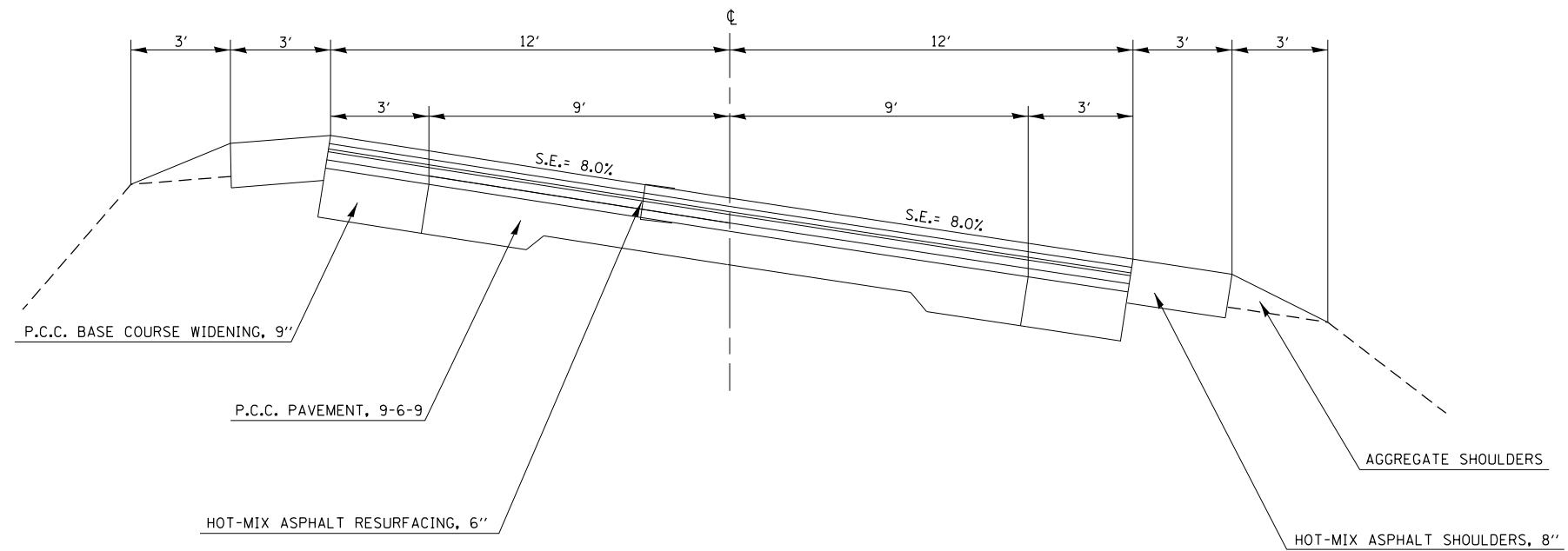
STA. 461+00.90 TO STA. 470+16.90
 STA. 470+16.91 (BK) = STA. 470+71.10 (AH)



NOTE: NOT TO SCALE

EXISTING TYPICAL CROSS SECTION

STA. 563+49.50 TO STA. 572+25.97
 STA. 572+25.97 (BK) = STA. 572+85.70 (AH)



NOTE: NOT TO SCALE

FILE NAME =	USER NAME = steffenmk	DESIGNED -	REVISED -
c:\pwwork\pwwork\stefhenmk\d0147948\0774409-sh-typical1.dgn		DRAWN -	REVISED -
		CHECKED -	REVISED -
		DATE -	REVISED -

**STATE OF ILLINOIS
 DEPARTMENT OF TRANSPORTATION**

EXISTING TYPICAL CROSS SECTION

SCALE: NA SHEET NO. 3 OF 3 SHEETS STA. TO STA.

F.A.P. RTE.	SECTION	COUNTY	TOTAL SHEETS	SHEET NO.
116	(124,125,126)RS-3	RICHLAND	60	9
CONTRACT NO. 74409				
ILLINOIS FED. AID PROJECT				