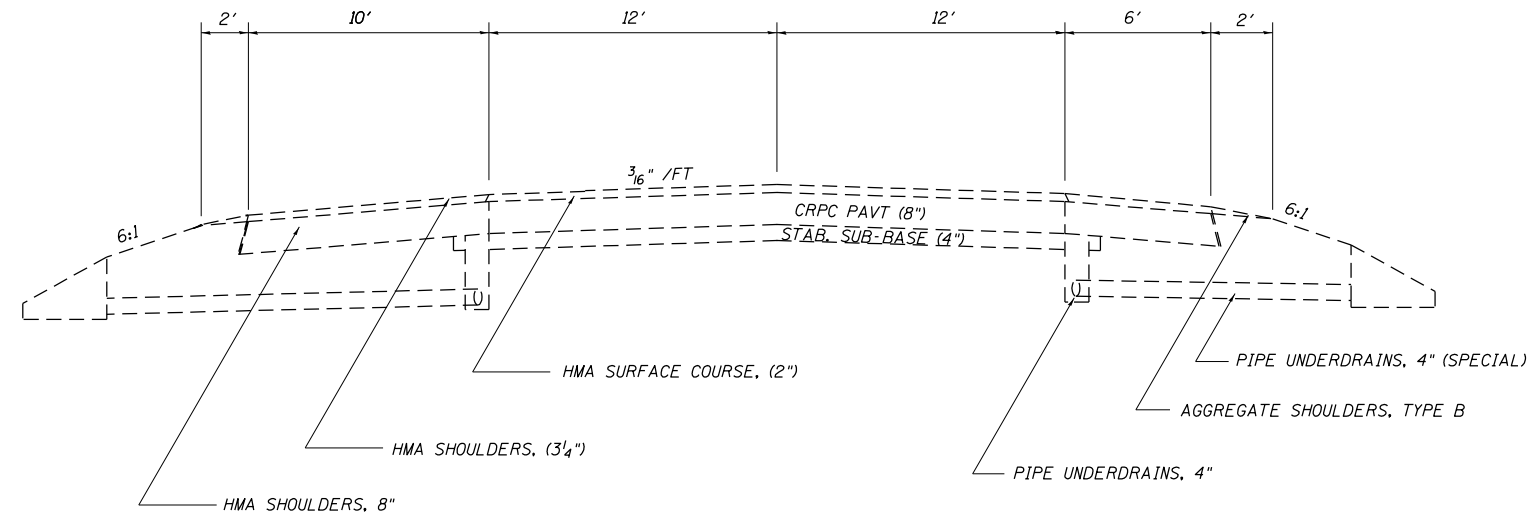


EXISTING TYPICAL CROSS SECTIONS

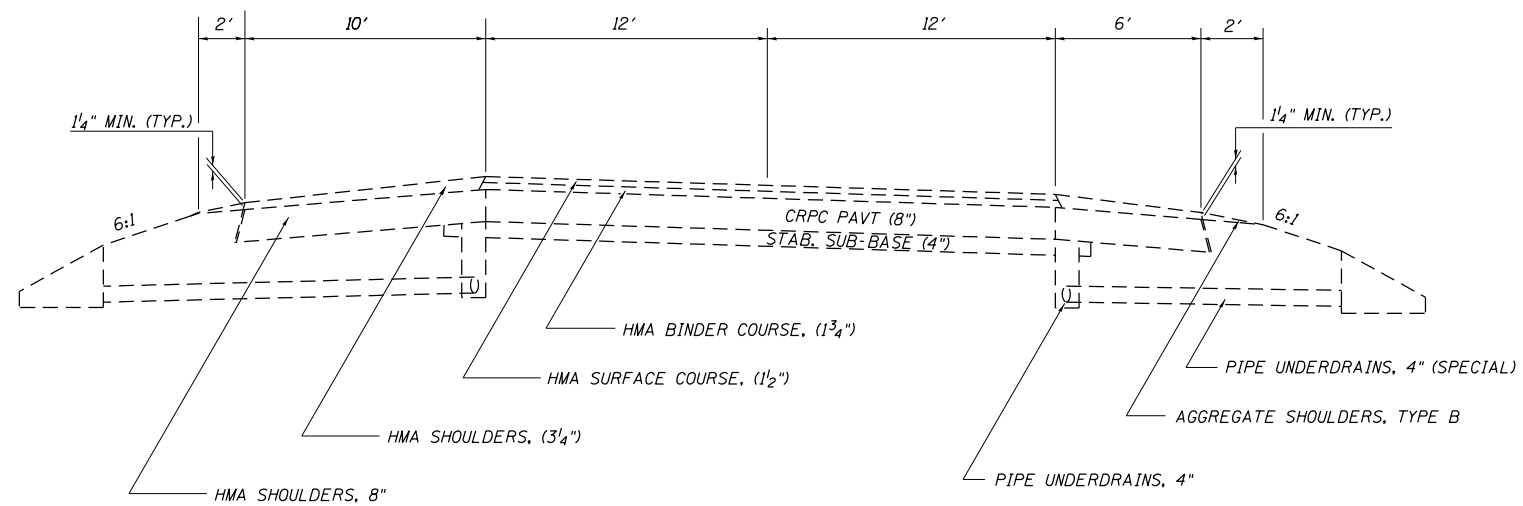
SOUTHBOUND LANE ONLY
STA. 4480+99.82 TO STA. 4482+34.46



NOTE: NOTE TO SCALE

EXISTING TYPICAL CROSS SECTIONS

SOUTHBOUND LANE ONLY
STA. 4494+71.52 TO STA. 4507+46.22 SE=0.03'/'
STA. 4512+49.84 TO STA. 4545+72.25 SE=0.035'/'
STA. 4548+42.81 TO STA. 4556+95.11 SE=0.04'/'
STA. 4609+69.68 TO STA. 4625+58.98 SE=0.015'/'



NOTE: NOTE TO SCALE

FILE NAME =	USER NAME = teasleyck	DESIGNED -	REVISED -	STATE OF ILLINOIS DEPARTMENT OF TRANSPORTATION	EXISTING TYPICAL CROSS SECTION			F.A.I. RTE.	SECTION	COUNTY	TOTAL SHEETS	SHEET NO.
	ci:\pw\work\p\dot\teasleyck\d0181558\d774450-sht-typicals.dgn	DRAWN -	REVISED -		SCALE: NA	SHEET NO. 3 OF 9 SHEETS	STA.	TO STA.	•	••	84	11
	PLOT SCALE = 40.0000' / in.	CHECKED -	REVISED -					CONTRACT NO. 74450				
	PLOT DATE = 10/18/2012	DATE -	REVISED -		ILLINOIS FED. AID PROJECT							