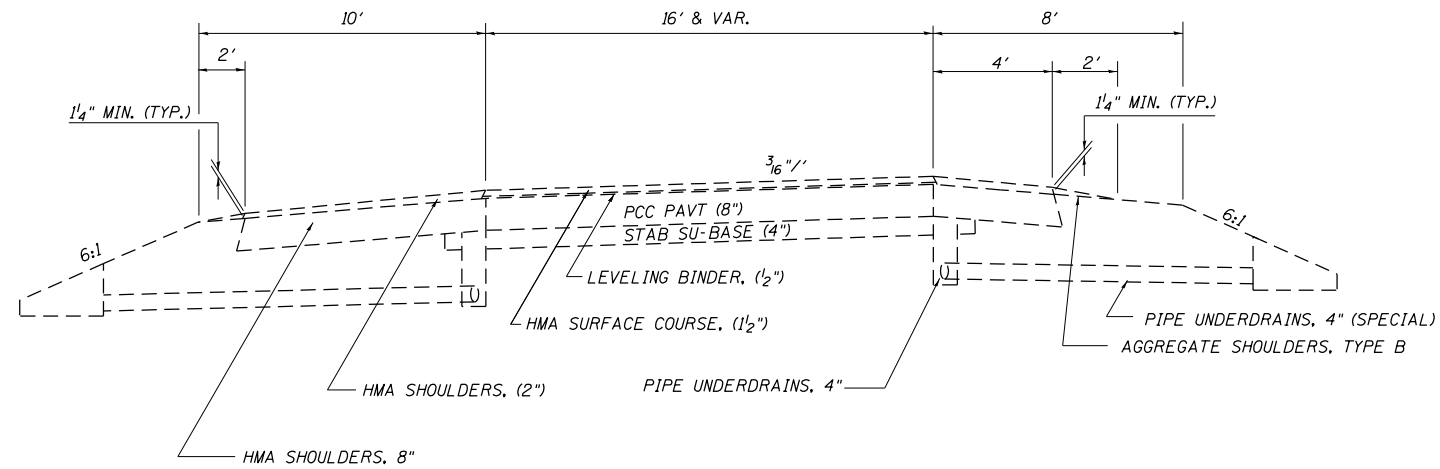


EXISTING TYPICAL CROSS SECTIONS

STA. 7A+75.02 TO STA. 10A+07.02
 STA. 15A+95.48 TO STA. 17A+32.48
 STA. 0B+23.00 TO STA. 5B+55.91

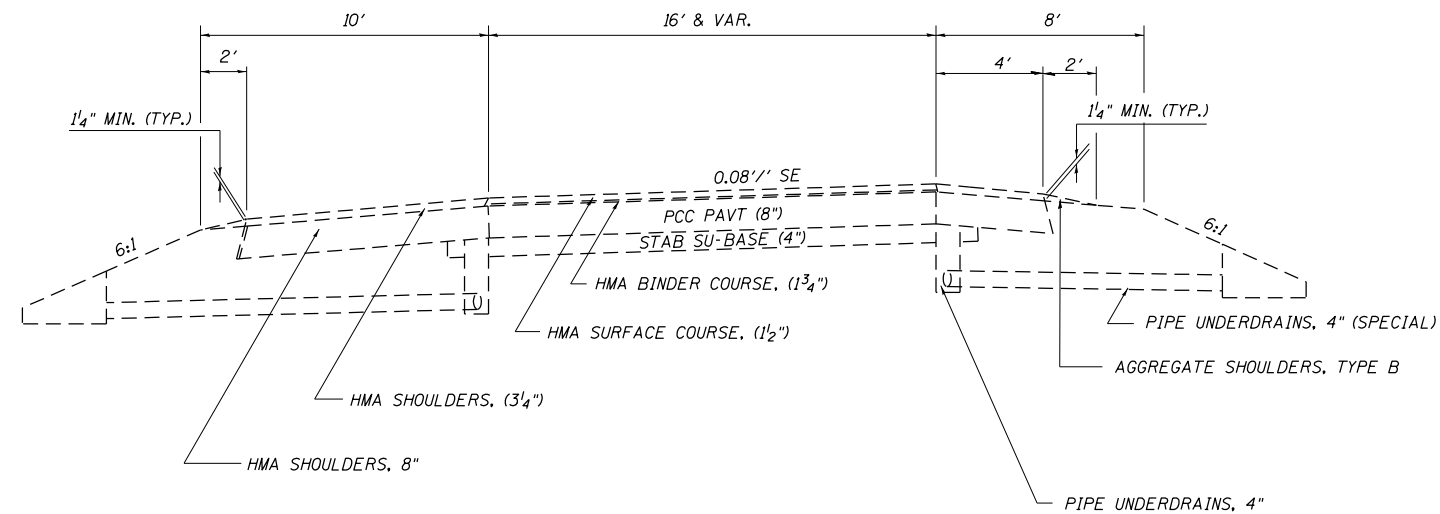
INCLUDES S.E
 TRANSITION



NOTE: NOTE TO SCALE

EXISTING TYPICAL CROSS SECTIONS

STA. 0A+00.00 TO STA. 7A+75.02 (S.E. LT.)
 STA. 10A+07.02 TO STA. 15A+95.48 (S.E. RT.)
 STA. 5B+55.91 TO STA. 10B+52.10 (S.E. LT.)



NOTE: NOTE TO SCALE

• (25-6-1)RS-8 & (13-1)RS-2
 • EFFINGHAM, CLAY

FILE NAME =	USER NAME = teasleyck	DESIGNED -	REVISED -	STATE OF ILLINOIS DEPARTMENT OF TRANSPORTATION	EXISTING TYPICAL CROSS SECTION			F.A.I. RTE.	SECTION	COUNTY	TOTAL SHEETS	SHEET NO.
ci:\pw\work\pwidot\teasleyck\d0181558\d774450-sht-typicols.dgn		DRAWN -	REVISED -		57	.	**	84	12			
PLOT SCALE = 40.0000' / in.		CHECKED -	REVISED -		CONTRACT NO. 74450							
PLOT DATE = 10/18/2012		DATE -	REVISED -		SCALE: NA	SHEET NO. 4 OF 9 SHEETS	STA.	TO STA.	ILLINOIS FED. AID PROJECT			