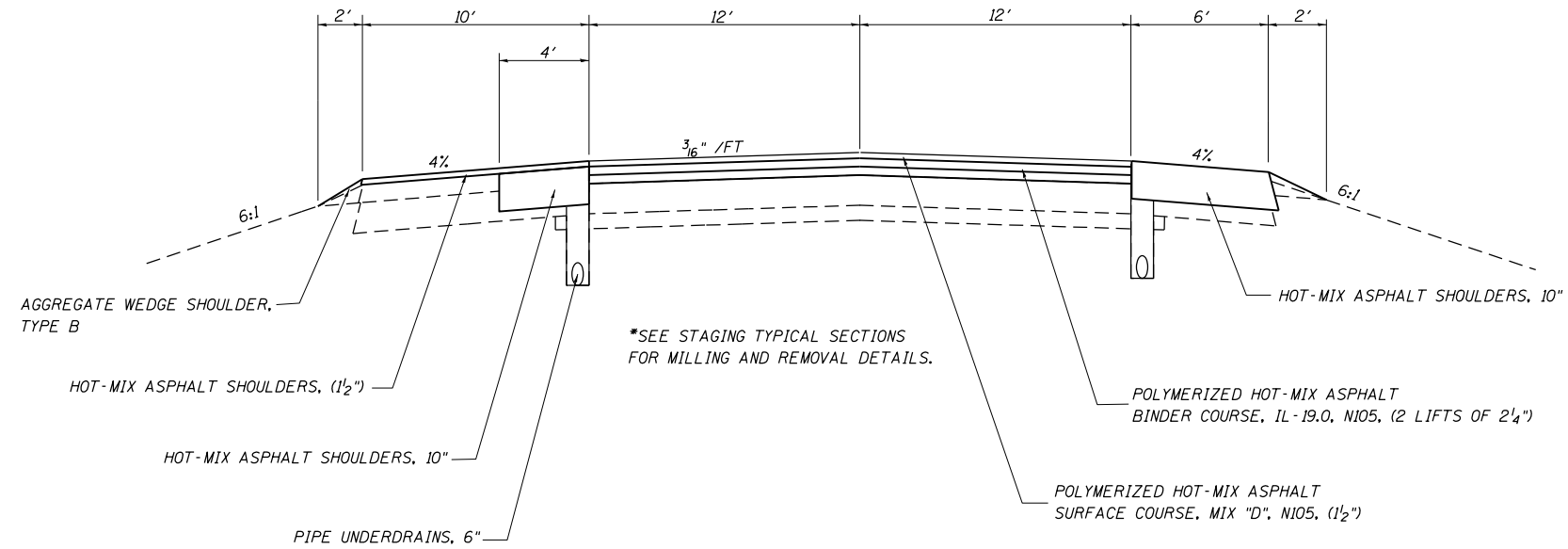


① PROPOSED TYPICAL CROSS SECTIONS

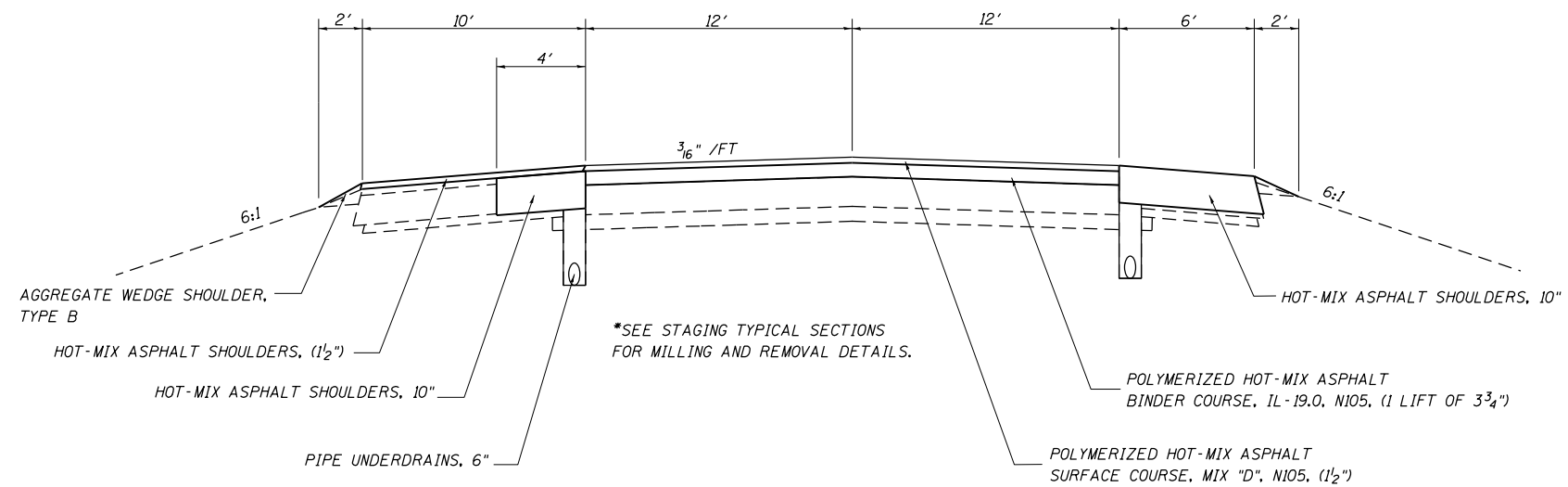
SOUTHBOUND LANE ONLY
 STA. 3308+82.00 TO STA. 4201+08.13
 STA. 4207+86.83 TO STA. 4268+65.75



NOTE: NOTE TO SCALE

② PROPOSED TYPICAL CROSS SECTIONS

SOUTHBOUND LANE ONLY
 STA. 4270+90.08 TO STA. 4287+78.00



NOTE: NOTE TO SCALE

• (25-6-1)RS-8 & (13-1)RS-2
 • EFFINGHAM, CLAY

FILE NAME =	USER NAME = teasleyck	DESIGNED -	REVISED -	STATE OF ILLINOIS DEPARTMENT OF TRANSPORTATION	PROPOSED TYPICAL CROSS SECTION			F.A.I. RTE.	SECTION	COUNTY	TOTAL SHEETS	SHEET NO.
ci:\pwork\pwork\teasleyck\d0181558\d774450-sht-typicals.dgn	PLOT SCALE = 40.0000' / in.	DRAWN -	REVISED -					57	.	..	84	13
	PLOT DATE = 10/18/2012	CHECKED -	REVISED -		CONTRACT NO. 74450			ILLINOIS FED. AID PROJECT				
		DATE -	REVISED -		SCALE: NA	SHEET NO. 5 OF 9 SHEETS	STA. TO STA.					