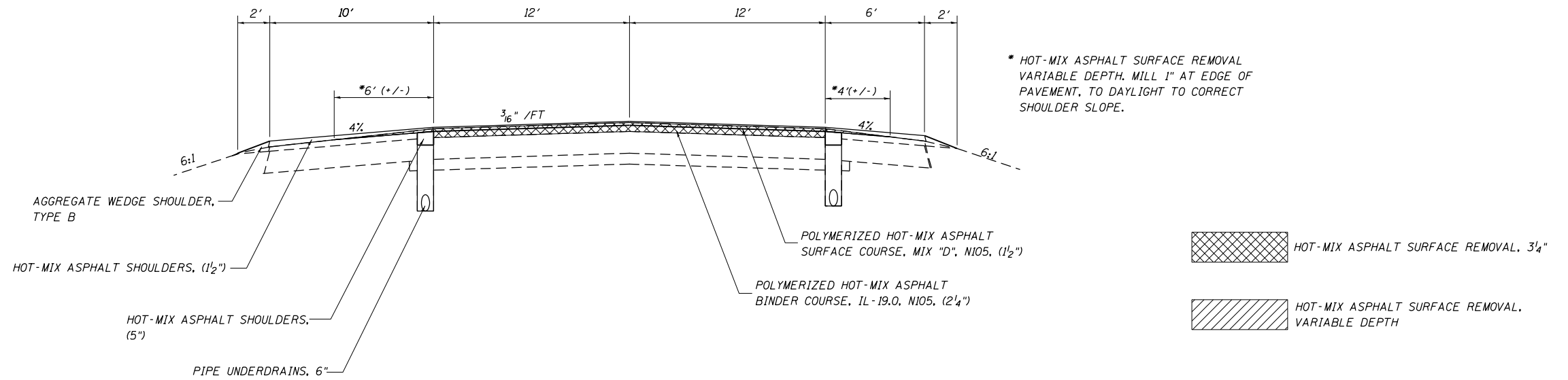


③ PROPOSED TYPICAL CROSS SECTIONS

SOUTHBOUND LANE ONLY
 STA. 4287+78.00 TO STA. 4306+53.69
 STA. 4308+12.19 TO STA. 4494+71.52
 STA. 4507+46.22 TO STA. 4512+49.84
 STA. 4545+72.25 TO STA. 4548+42.81
 STA. 4554+45.01 TO STA. 4582+79.08

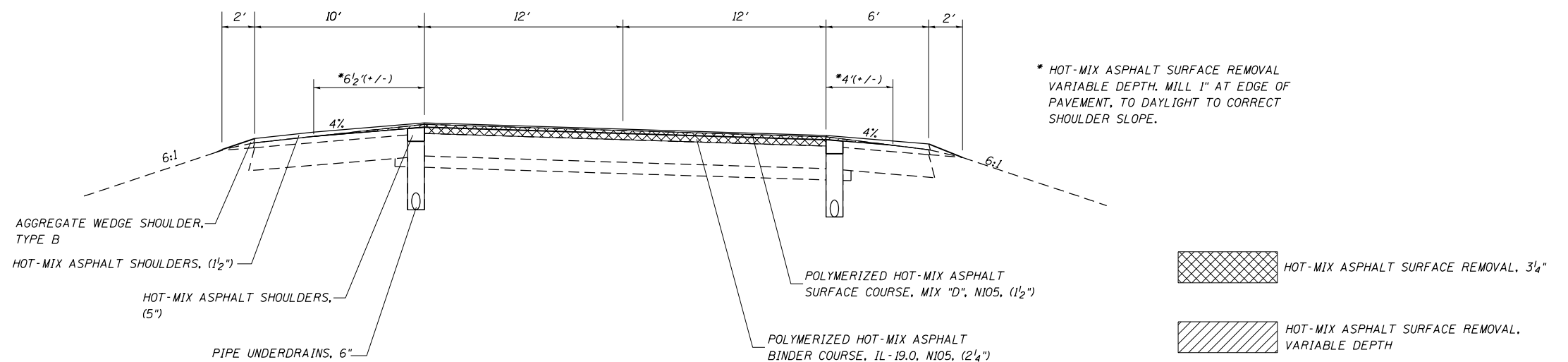
INCLUDES S.E
 TRANSITION



NOTE: NOTE TO SCALE

③ PROPOSED TYPICAL CROSS SECTIONS

SOUTHBOUND LANE ONLY
 STA. 4494+71.52 TO STA. 4507+46.22 SE=0.03'/'
 STA. 4512+49.84 TO STA. 4545+72.25 SE=0.035'/'
 STA. 4548+42.81 TO STA. 4556+95.11 SE=0.04'/'
 STA. 4609+69.68 TO STA. 4625+58.98 SE=0.015'/'



NOTE: NOTE TO SCALE

FILE NAME =	USER NAME = teasleyck	DESIGNED -	REVISED -
ci:\pw\work\p\id\teasleyck\d0181558\d774450-sht-typicals.dgn		DRAWN -	REVISED -
		CHECKED -	REVISED -
		DATE -	REVISED -

STATE OF ILLINOIS
 DEPARTMENT OF TRANSPORTATION

PROPOSED TYPICAL CROSS SECTION

SCALE: NA SHEET NO. 6 OF 9 SHEETS STA. TO STA.

F.A.I. RTE.	SECTION	COUNTY	TOTAL SHEETS	SHEET NO.
57	.	**	84	14
			CONTRACT NO. 74450	
ILLINOIS FED. AID PROJECT				

• (25-6-1)RS-8 & (13-1)RS-2
 • EFFINGHAM, CLAY