

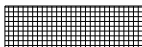
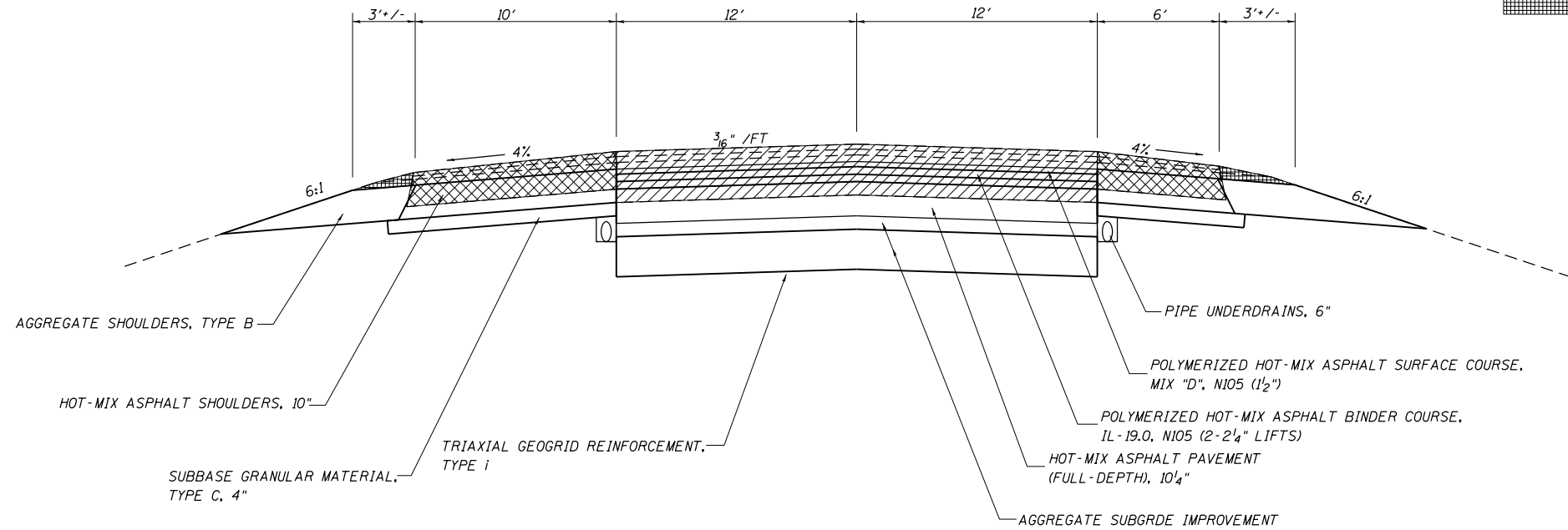


### PROPOSED TYPICAL CROSS SECTIONS

SOUTHBOUND LANE ONLY  
STA. 4201+08.13 TO STA. 4207+86.83



-  PAVEMENT REMOVAL
-  PAVED SHOULDER REMOVAL
-  SHAPING AND GRADING EXISTING SHOULDER

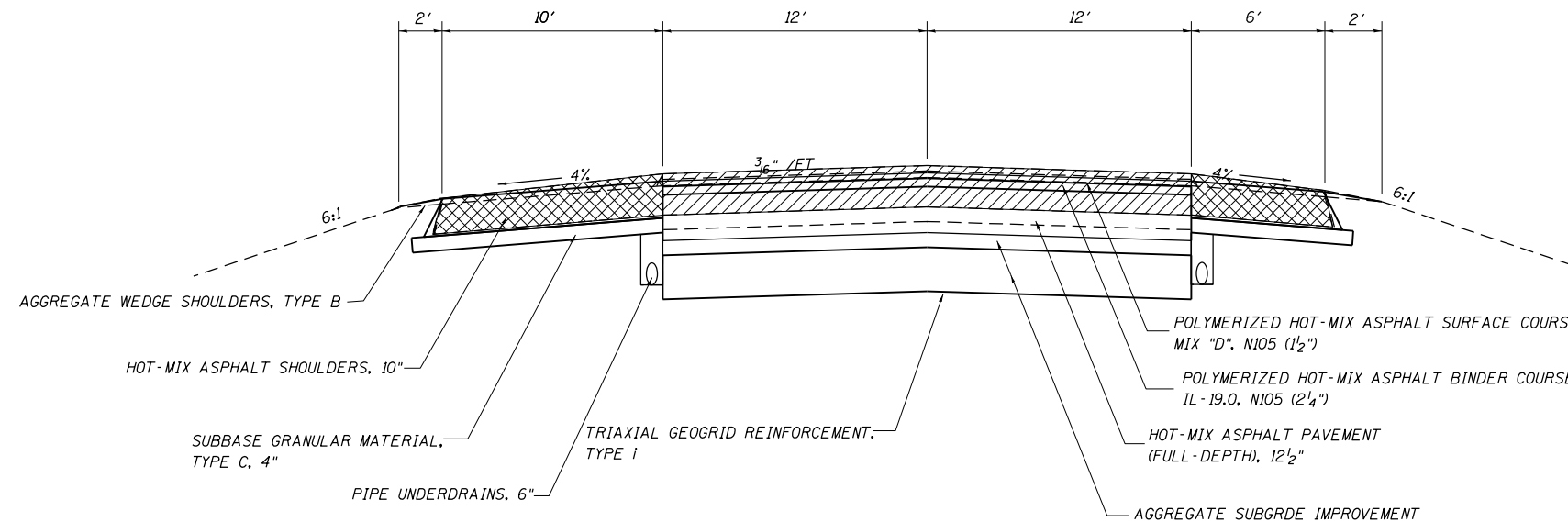


NOTE: NOTE TO SCALE

### PROPOSED TYPICAL CROSS SECTIONS

SOUTHBOUND LANE ONLY  
STA. 4428+44.30 TO STA. 4431+97.40

-  PAVEMENT REMOVAL
-  PAVED SHOULDER REMOVAL



NOTE: NOTE TO SCALE

• (25-6-1)RS-8 & (13-1)RS-2  
•• EFFINGHAM, CLAY

FILE NAME =	USER NAME = teasleyck	DESIGNED -	REVISED -	<b>STATE OF ILLINOIS DEPARTMENT OF TRANSPORTATION</b>	<b>PROPOSED TYPICAL CROSS SECTION</b>			F.A.I. RTE.	SECTION	COUNTY	TOTAL SHEETS	SHEET NO.
ci:\pwork\pwork\teasleyck\0181558\d774450-sht-typicals.dgn		DRAWN -	REVISED -		57	.	••	84	16			
PLOT SCALE = 40.0000' / in.		CHECKED -	REVISED -		CONTRACT NO. 74450							
PLOT DATE = 10/18/2012		DATE -	REVISED -		SCALE: NA	SHEET NO. 8 OF 9 SHEETS	STA.	TO STA.	ILLINOIS FED. AID PROJECT			