
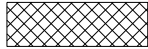
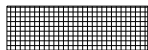
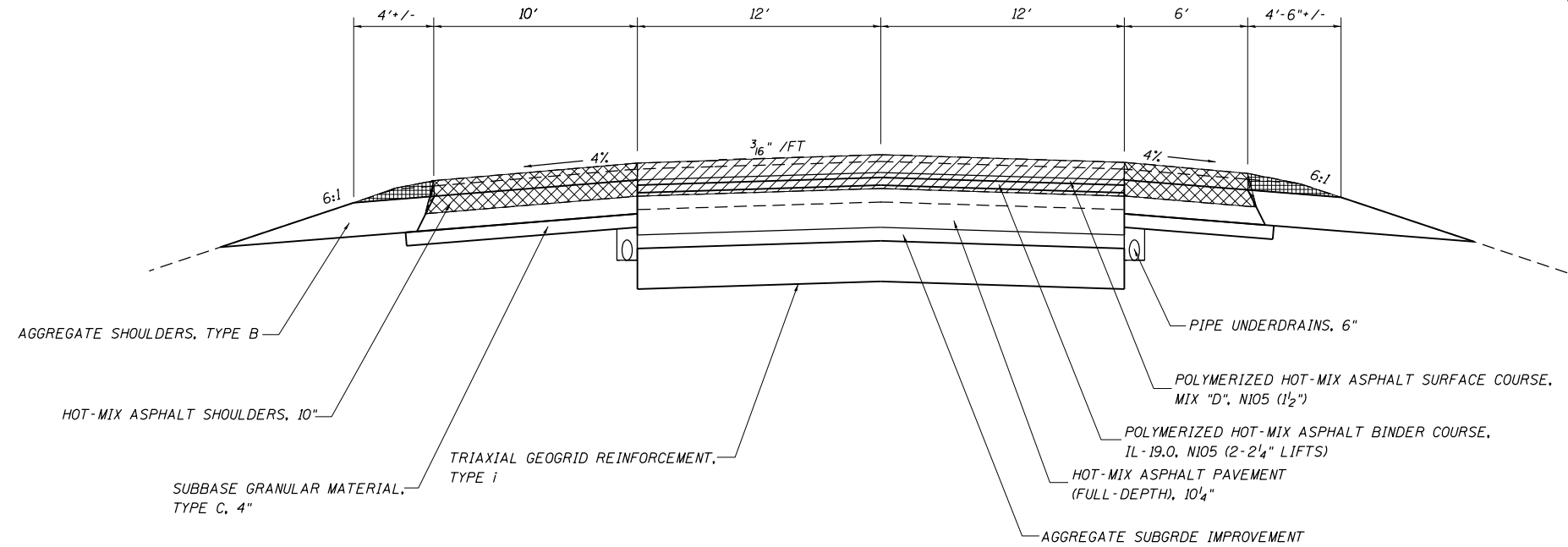


PROPOSED TYPICAL CROSS SECTIONS

SOUTHBOUND LANE ONLY
STA. 4478+57.87 TO STA. 4484+74.37

-  PAVEMENT REMOVAL
-  PAVED SHOULDER REMOVAL
-  SHAPING AND GRADING EXISTING SHOULDER



NOTE: NOTE TO SCALE

• (25-6-1)RS-8 & (13-1)RS-2
•• EFFINGHAM, CLAY

FILE NAME =	USER NAME = teasleyck	DESIGNED -	REVISED -
ci:\pwork\pwork\teasleyck\d0181558\d774450-sht-typicals.dgn		DRAWN -	REVISED -
	PLOT SCALE = 40.0000' / in.	CHECKED -	REVISED -
	PLOT DATE = 10/19/2012	DATE -	REVISED -

STATE OF ILLINOIS
DEPARTMENT OF TRANSPORTATION

PROPOSED TYPICAL CROSS SECTION

SCALE: NA SHEET NO. 9 OF 9 SHEETS STA. TO STA.

F.A.I. RTE.	SECTION	COUNTY	TOTAL SHEETS	SHEET NO.
57	•	••	84	17
CONTRACT NO. 74450				
ILLINOIS FED. AID PROJECT				