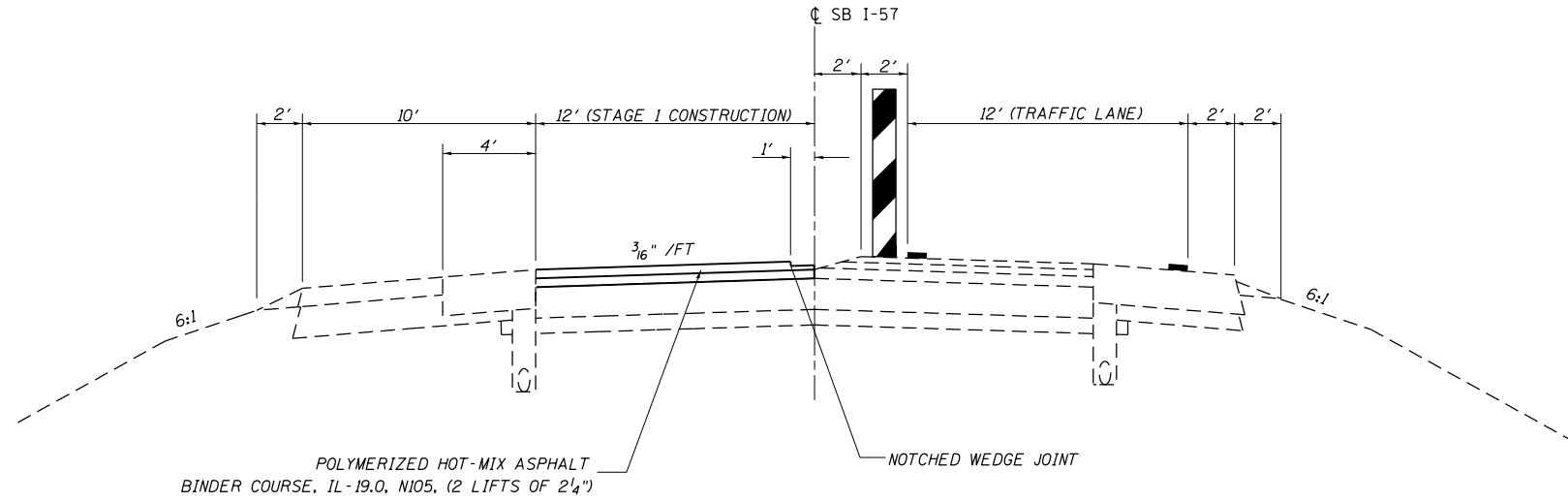


### STAGE 1B TYPICAL CROSS SECTION

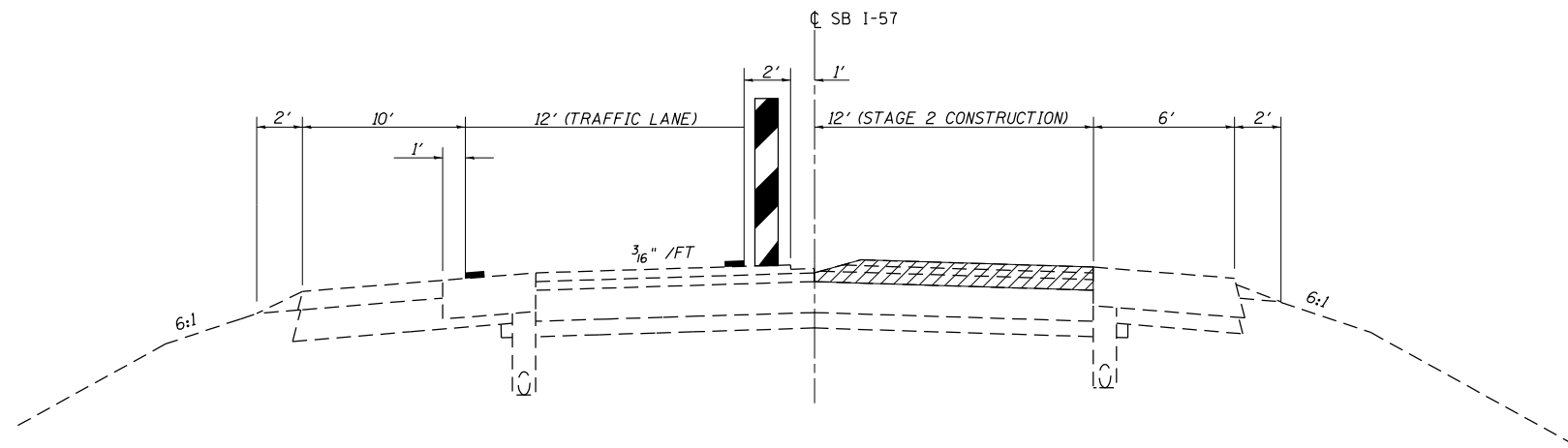
SOUTHBOUND LANE ONLY  
 STA. 3308+82.00 TO STA. 4201+08.13  
 STA. 4207+86.93 TO STA. 4268+65.75



NOTE: NOTE TO SCALE

### STAGE 2A TYPICAL CROSS SECTION

SOUTHBOUND LANE ONLY  
 STA. 3308+82.00 TO STA. 421+08.13  
 STA. 4207+86.93 TO STA. 4268+65.75



 HOT-MIX ASPHALT SURFACE REMOVAL, 6"

NOTE: NOTE TO SCALE

FILE NAME =	USER NAME = teasleyck	DESIGNED -	REVISED -
ci:\pw\work\p\dot\teasleyck\d0181558\d774450-sht-typicals.dgn		DRAWN -	REVISED -
	PLOT SCALE = 40.0000' / in.	CHECKED -	REVISED -
	PLOT DATE = 10/18/2012	DATE -	REVISED -

STATE OF ILLINOIS  
 DEPARTMENT OF TRANSPORTATION

STAGING TYPICAL CROSS SECTION

SCALE: NA SHEET NO. 2 OF 6 SHEETS STA. TO STA.

F.A.I. RTE.	SECTION	COUNTY	TOTAL SHEETS	SHEET NO.
57	.	..	84	19
			CONTRACT NO. 74450	
ILLINOIS FED. AID PROJECT				

- (25-6-1)RS-8 & (13-1)RS-2
- EFFINGHAM, CLAY