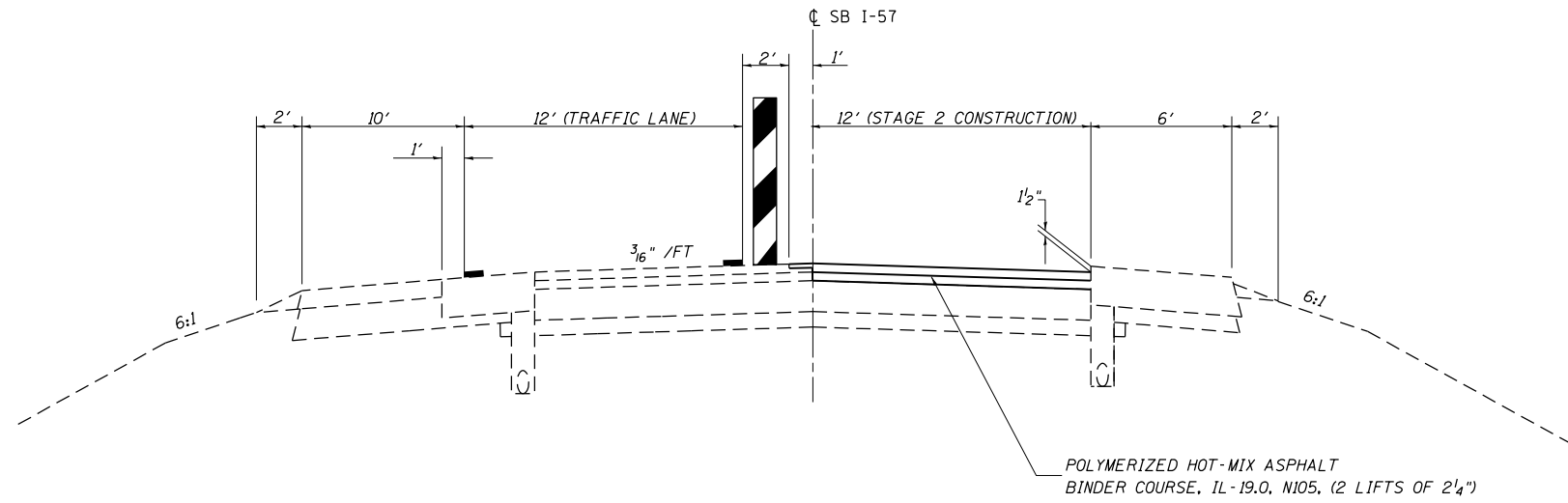


STAGE 2B TYPICAL CROSS SECTION

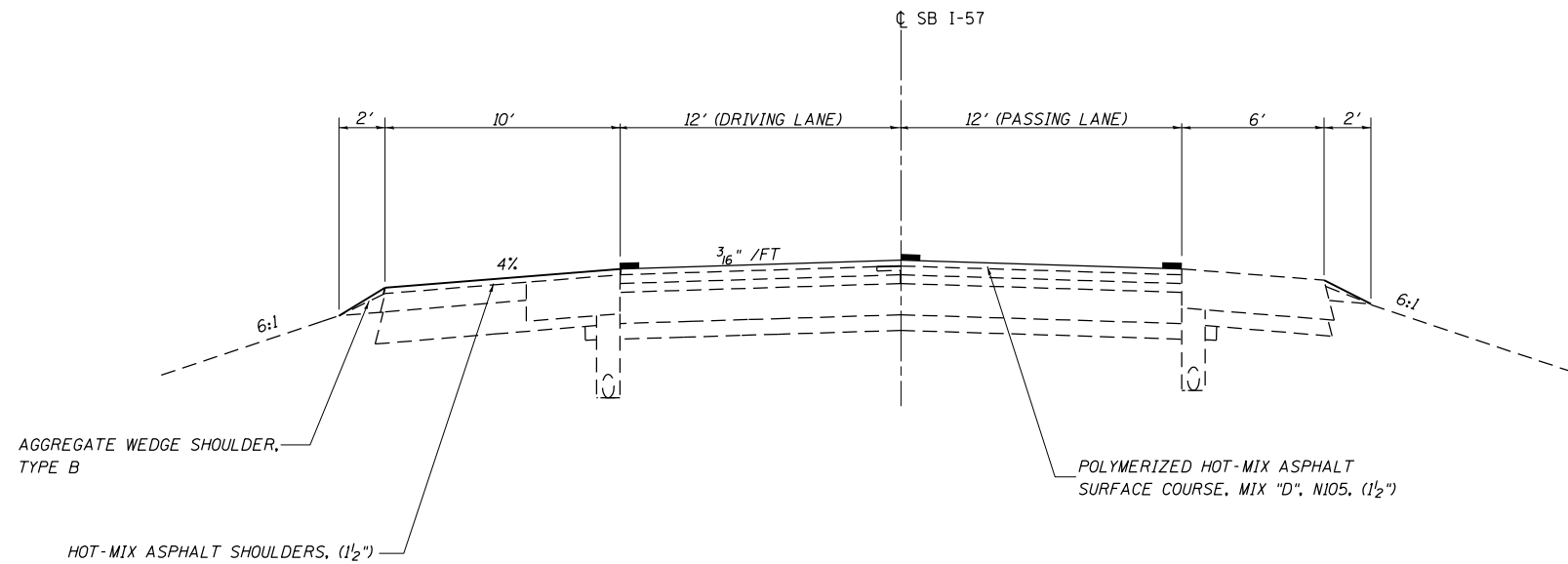
SOUTHBOUND LANE ONLY
 STA. 3308+82.00 TO STA. 4201+08.13
 STA. 4207+86.93 TO STA. 4268+65.75



NOTE: NOTE TO SCALE

STAGE 3 TYPICAL CROSS SECTION

SOUTHBOUND LANE ONLY
 STA. 3308+82.00 TO STA. 4201+08.13
 STA. 4207+86.93 TO STA. 4268+65.75



NOTE: NOTE TO SCALE

- (25-6-1)RS-8 & (13-1)RS-2
- EFFINGHAM, CLAY

FILE NAME =	USER NAME = teasleyck	DESIGNED -	REVISED -	STATE OF ILLINOIS DEPARTMENT OF TRANSPORTATION	STAGING TYPICAL CROSS SECTION			F.A.I. RTE.	SECTION	COUNTY	TOTAL SHEETS	SHEET NO.
ci:\pwork\pwork\teasleyck\d0181558\d774450-sht-typicals.dgn		DRAWN -	REVISED -		57	.	..	84	20			
PLOT SCALE = 40.0000' / in.		CHECKED -	REVISED -		CONTRACT NO. 74450							
PLOT DATE = 10/18/2012		DATE -	REVISED -		SCALE: NA	SHEET NO. 3 OF 6 SHEETS	STA.	TO STA.	ILLINOIS FED. AID PROJECT			