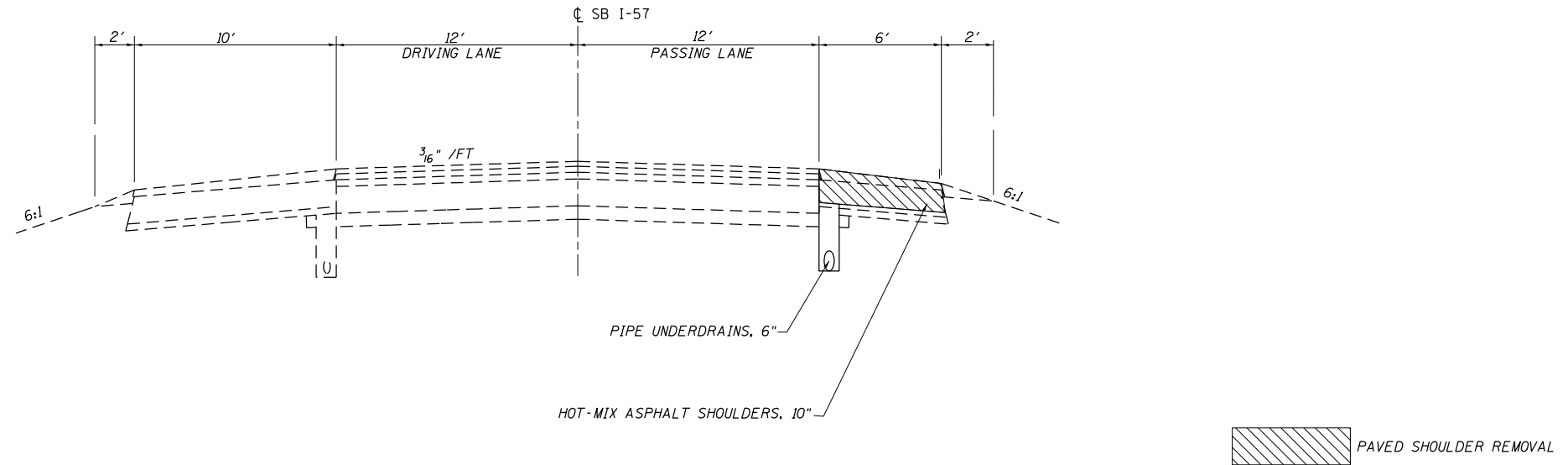


## PRE-STAGE TYPICAL CROSS SECTIONS

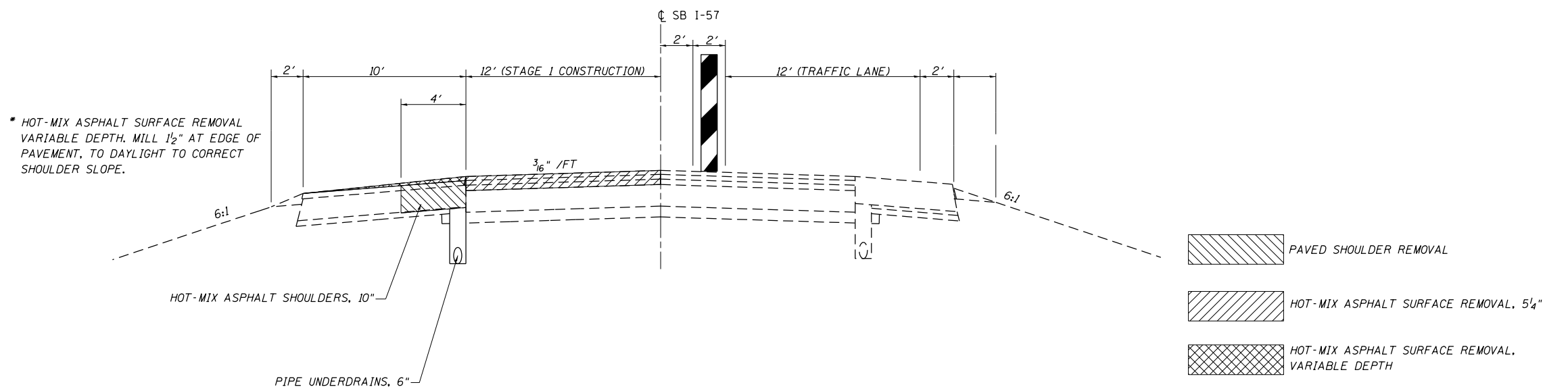
SOUTHBOUND LANE ONLY  
STA. 4270+90.08 TO STA. 4287+78.00



NOTE: NOTE TO SCALE

## STAGE 1A TYPICAL CROSS SECTIONS

SOUTHBOUND LANE ONLY  
STA. 4270+90.08 TO STA. 4287+78.00



NOTE: NOTE TO SCALE

FILE NAME =	USER NAME = teasleyck	DESIGNED -	REVISED -
ei:\pwork\pwork\teasleyck\d0181558\d774450-sht-typicals.dgn		DRAWN -	REVISED -
	PLOT SCALE = 40.0000' / in.	CHECKED -	REVISED -
	PLOT DATE = 10/18/2012	DATE -	REVISED -

**STATE OF ILLINOIS  
DEPARTMENT OF TRANSPORTATION**

**STAGING TYPICAL CROSS SECTION**

SCALE: NA SHEET NO. 4 OF 6 SHEETS STA. TO STA.

• (25-6-1)RS-8 & (13-1)RS-2  
• EFFINGHAM, CLAY

F.A.I. RTE.	SECTION	COUNTY	TOTAL SHEETS	SHEET NO.
57	.	**	84	21
CONTRACT NO. 74450				
ILLINOIS FED. AID PROJECT				