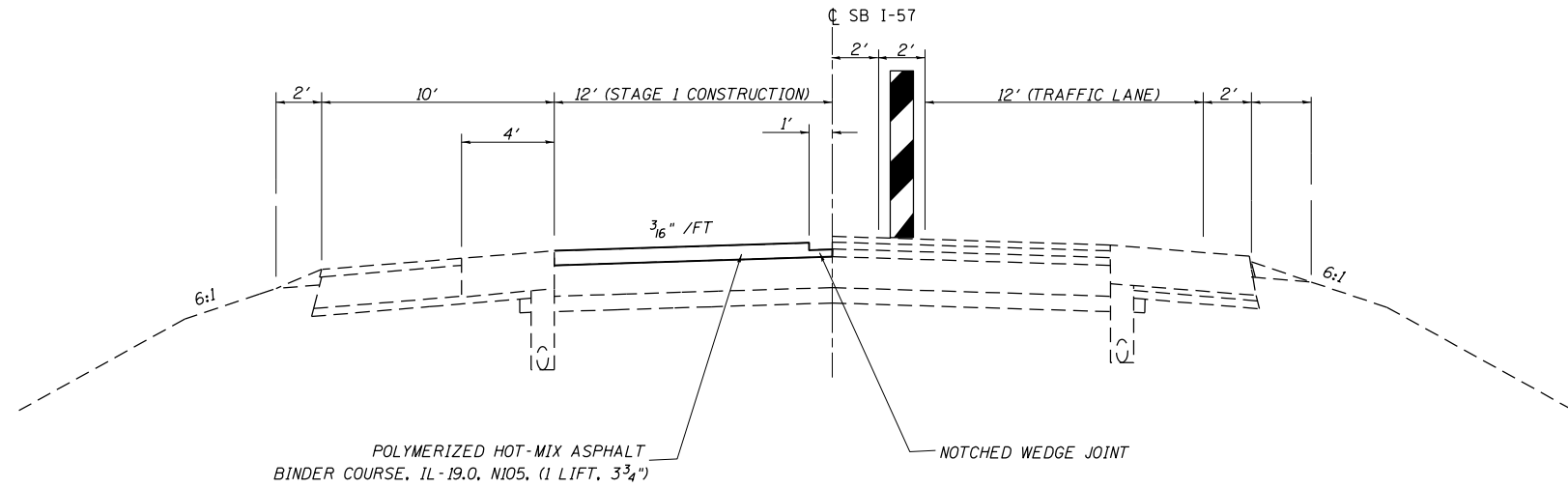


STAGE 1B TYPICAL CROSS SECTIONS

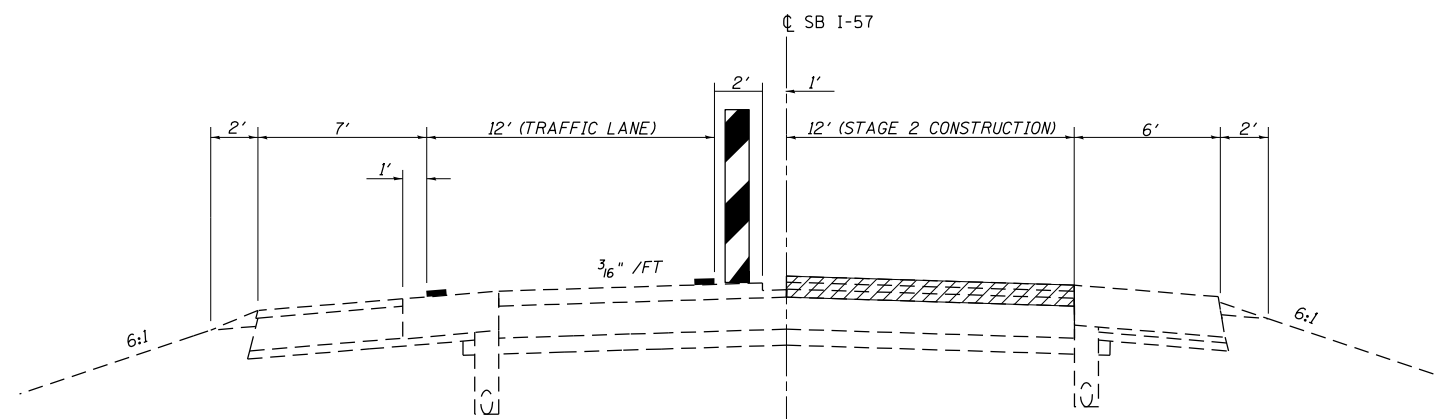
SOUTHBOUND LANE ONLY
STA. 4270+90.08 TO STA. 4287+78.00



NOTE: NOTE TO SCALE

STAGE 2A TYPICAL CROSS SECTIONS

SOUTHBOUND LANE ONLY
STA. 4270+90.08 TO STA. 4287+78.00



HOT-MIX ASPHALT SURFACE REMOVAL, 5 1/4"

NOTE: NOTE TO SCALE

FILE NAME =	USER NAME = teasleyck	DESIGNED -	REVISED -	STATE OF ILLINOIS DEPARTMENT OF TRANSPORTATION	STAGING TYPICAL CROSS SECTION			F.A.I. RTE.	SECTION	COUNTY	TOTAL SHEETS	SHEET NO.	
	ci:\pwork\pwork\teasleyck\d0181558\d774450-sht-typicals.dgn	DRAWN -	REVISED -		SCALE: NA	SHEET NO. 5 OF 6 SHEETS	STA.	TO STA.	57	•	••	84	22
	PLOT SCALE = 40.0000' / in.	CHECKED -	REVISED -		CONTRACT NO. 74450								
	PLOT DATE = 10/18/2012	DATE -	REVISED -		ILLINOIS FED. AID PROJECT								

• (25-6-1)RS-8 & (13-1)RS-2
•• EFFINGHAM, CLAY