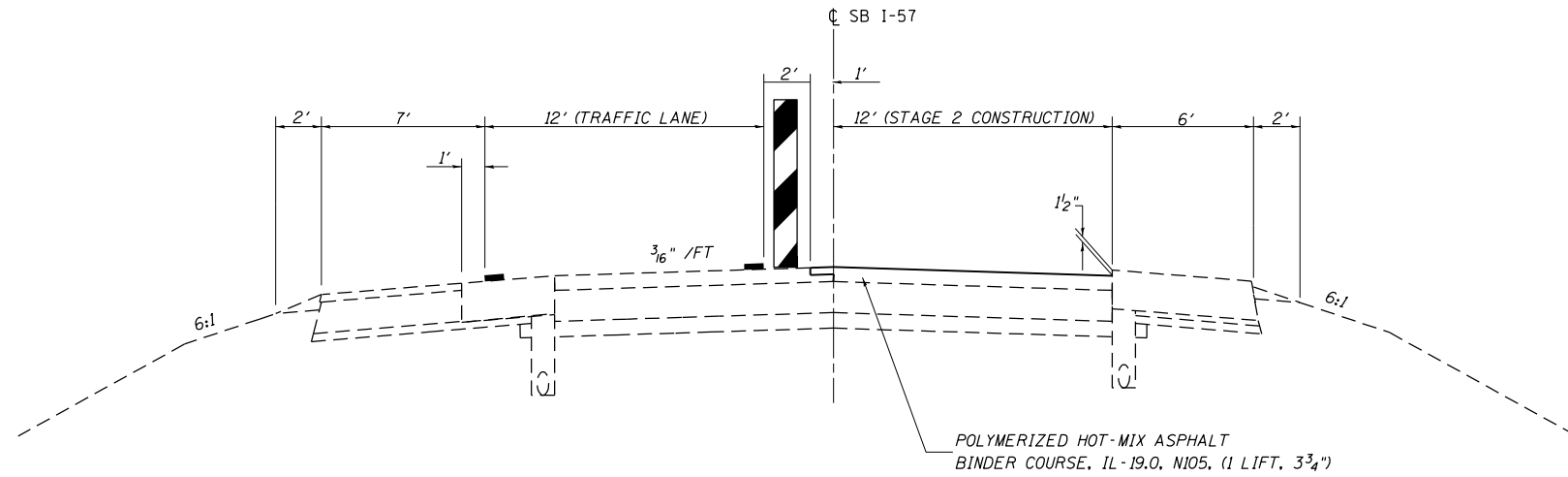


STAGE 2B TYPICAL CROSS SECTIONS

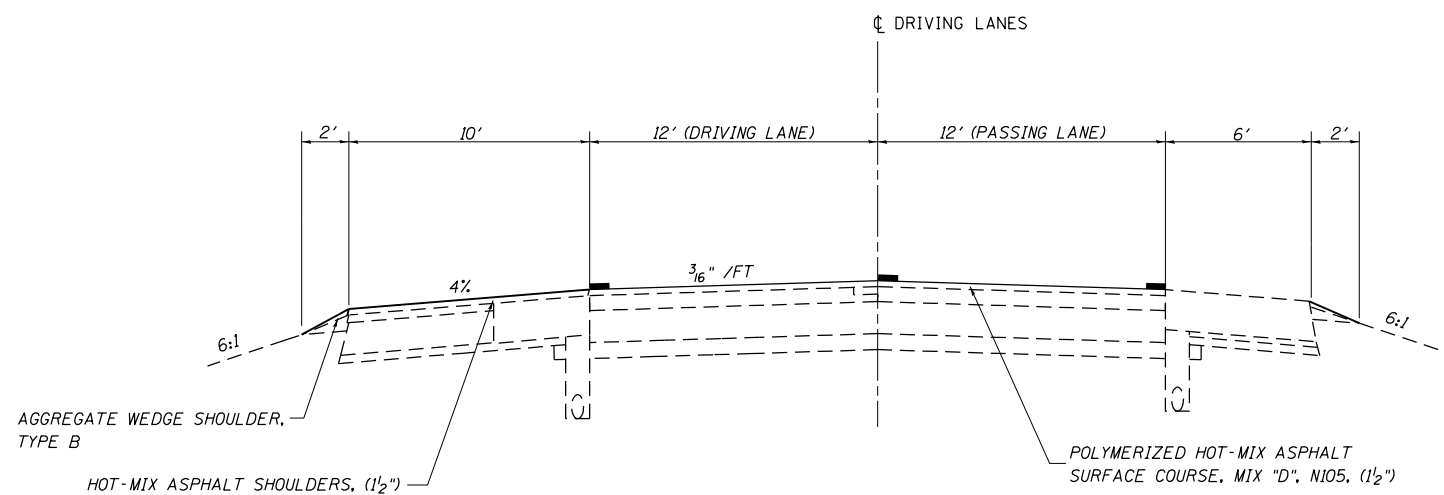
SOUTHBOUND LANE ONLY
STA. 4270+90.08 TO STA. 4287+78.00



NOTE: NOTE TO SCALE

STAGE 3 TYPICAL CROSS SECTIONS

SOUTHBOUND LANE ONLY
STA. 4270+90.08 TO STA. 4287+78.00



NOTE: NOTE TO SCALE

• (25-6-1)RS-8 & (13-1)RS-2
• EFFINGHAM, CLAY

FILE NAME =	USER NAME = teasleyck	DESIGNED -	REVISED -	STATE OF ILLINOIS DEPARTMENT OF TRANSPORTATION	STAGING TYPICAL CROSS SECTION	F.A.I. RTE. 57	SECTION .	COUNTY **	TOTAL SHEETS 84	SHEET NO. 23
	et:\pwork\pwork\teasleyck\d0181558\d774450-sht-typicals.dgn	DRAWN -	REVISED -						CONTRACT NO. 74450	
	PLOT SCALE = 40.0000' / in.	CHECKED -	REVISED -		SCALE: NA	SHEET NO. 6 OF 6 SHEETS	STA.	TO STA.	ILLINOIS FED. AID PROJECT	
	PLOT DATE = 10/18/2012	DATE -	REVISED -							