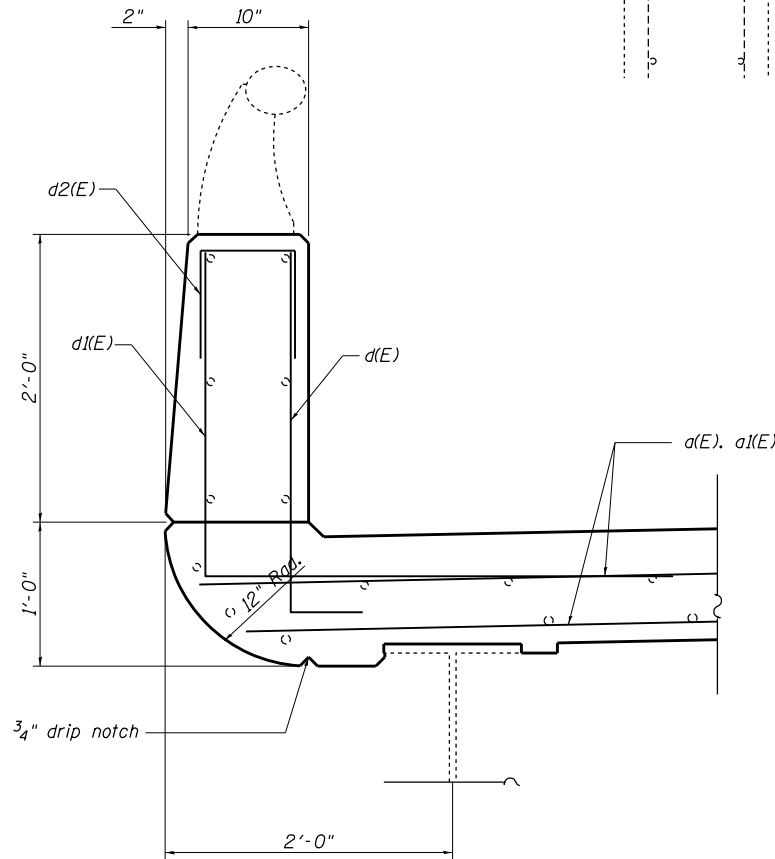
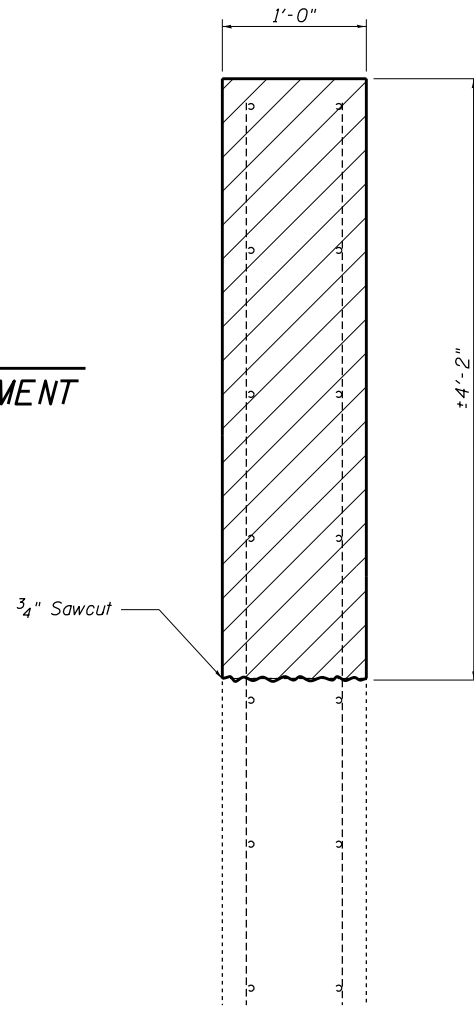
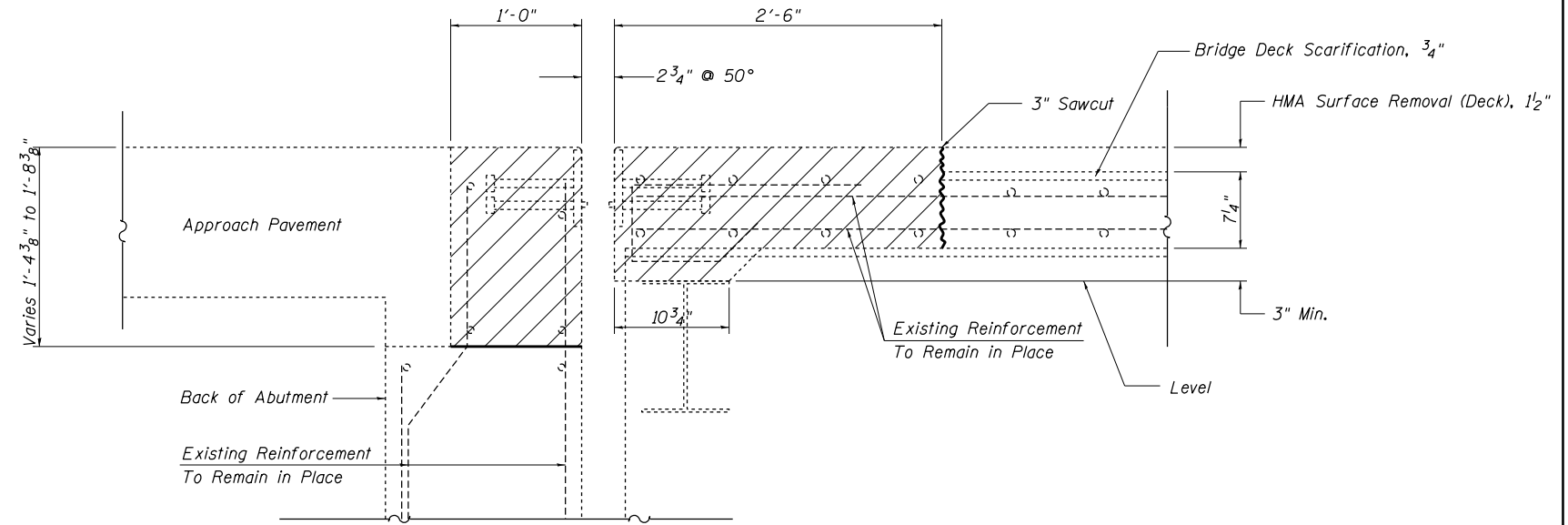


**TYPICAL WINGWALL
REMOVAL AND REPLACEMENT**



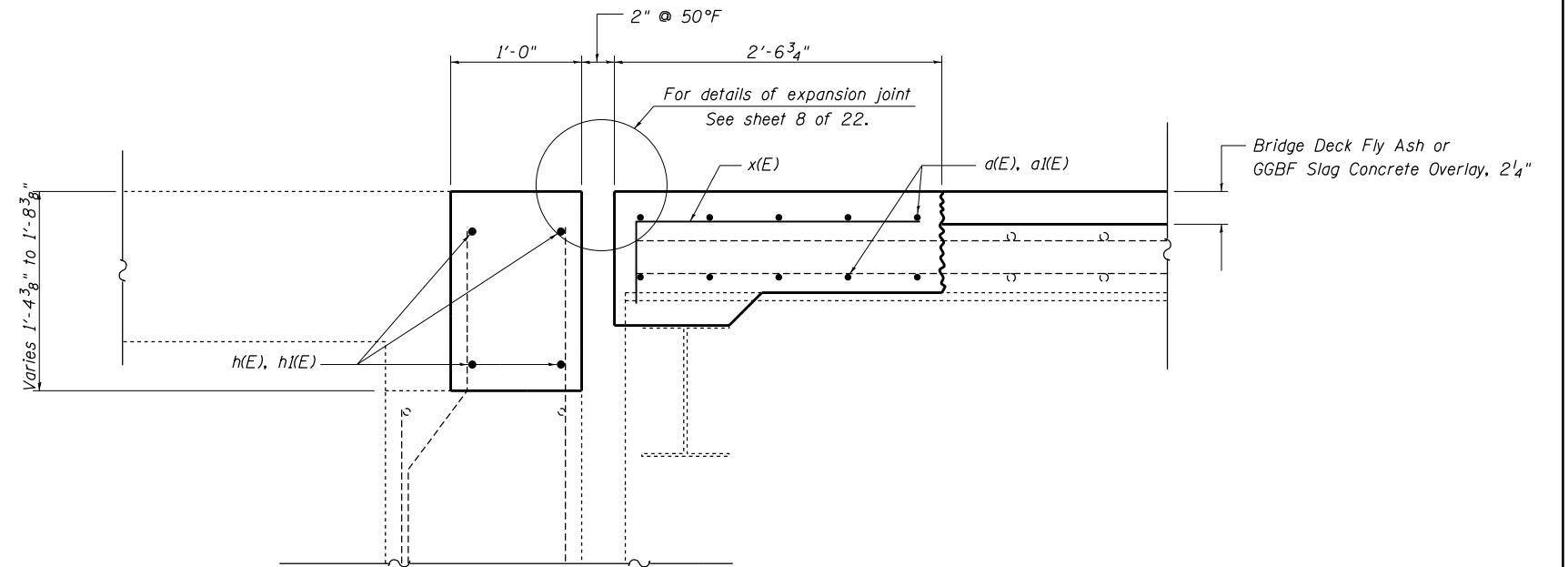
SECTION THRU PARAPET

Hatched area indicates removal.



SECTION A-A
(Dimensions at Rt. L's to end of deck)

- Existing Reinforcement
- Proposed Reinforcement



SECTION B-B
(Dimensions at Rt. L's to end of deck)

| | | | |
|---|-----------------------------|-----------------|-----------|
| FILE NAME = | USER NAME = teasleyck | DESIGNED - KLB | REVISED - |
| ei:\pw_work\pwidot\teasleyck\d0181558\0774450-sht-brdetails-0250068.dgn | | DRAWN - KLB | REVISED - |
| | PLOT SCALE = 40.0000' / in. | CHECKED - MEA | REVISED - |
| | PLOT DATE = 10/18/2012 | DATE - 05/31/12 | REVISED - |

**STATE OF ILLINOIS
DEPARTMENT OF TRANSPORTATION**

**EXPANSION JOINT REPLACEMENT DETAILS
SN. 025-0068 (SB)**

SCALE: SHEET NO. 4 OF 22 SHEETS STA. TO STA.

- (25-6-1)RS-8 & (13-1)RS-2
- EFFINGHAM & CLAY COUNTIES

| F.A.I. RTE. | SECTION | COUNTY | TOTAL SHEETS | SHEET NO. |
|---------------------------|---------|--------|--------------------|-----------|
| 57 | • | •• | 84 | 60 |
| | | | CONTRACT NO. 74450 | |
| ILLINOIS FED. AID PROJECT | | | | |