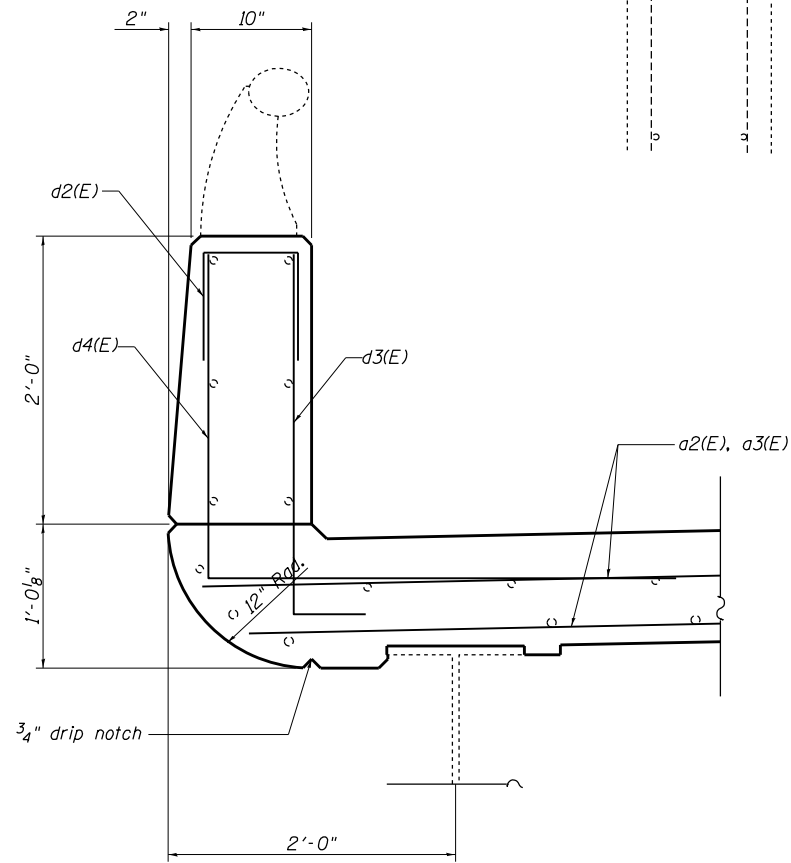
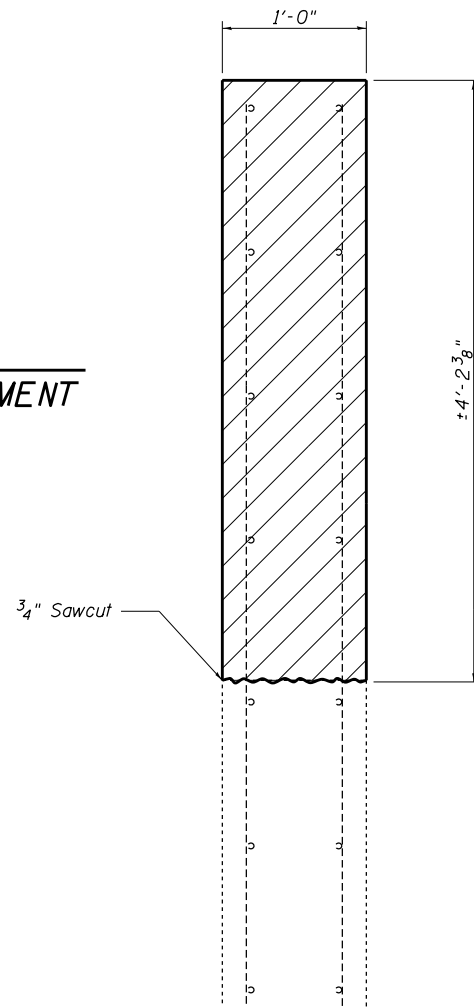
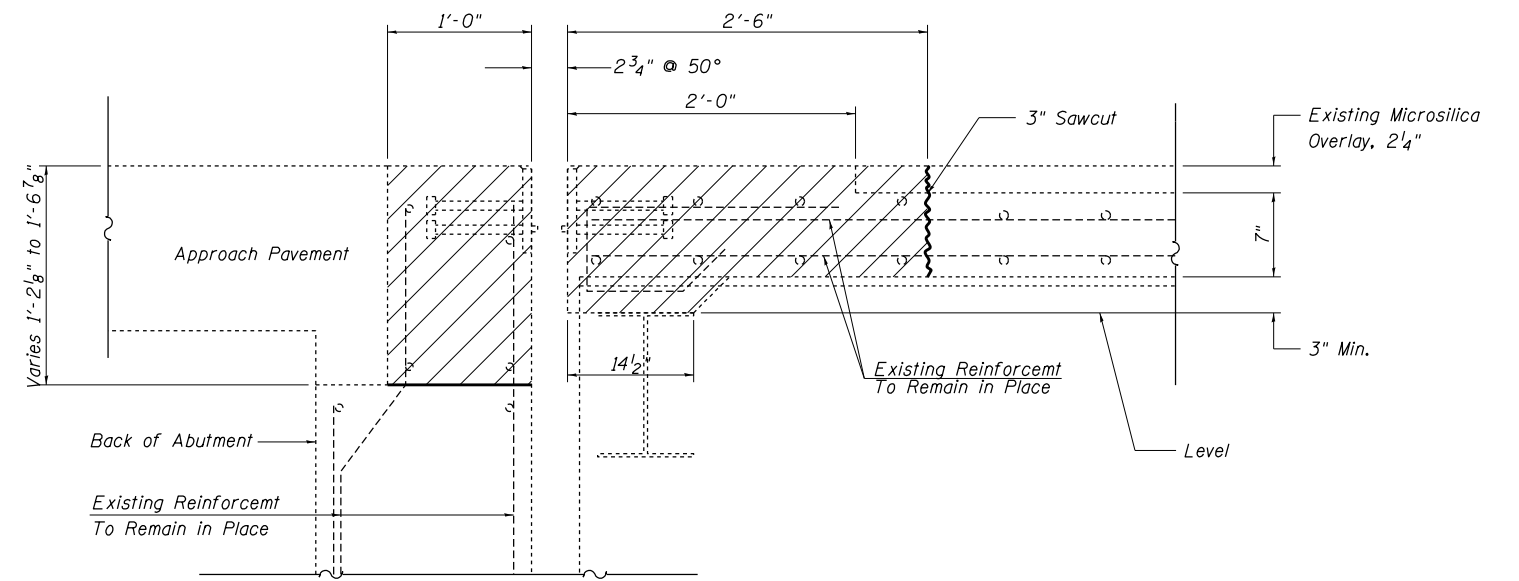


**TYPICAL WINGWALL  
REMOVAL AND REPLACEMENT**



**SECTION THRU PARAPET**

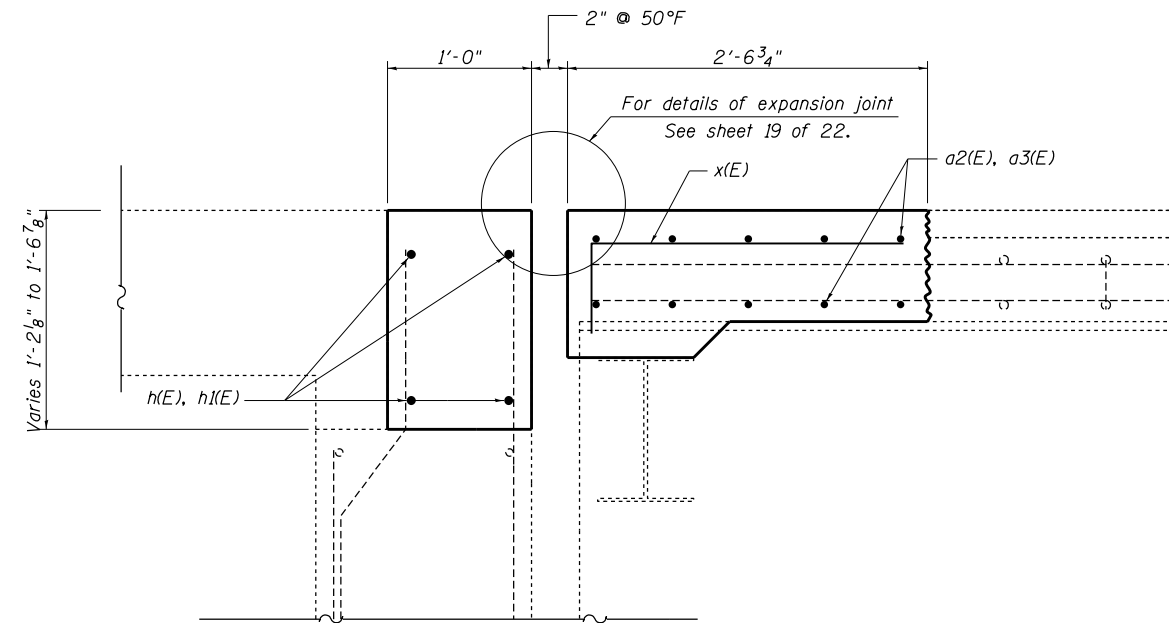
Hatched area indicates removal.



**SECTION A-A**

(Dimensions at RT L's to end of deck)

- Existing Reinforcement
- Proposed Reinforcement



**SECTION B-B**

(Dimensions at RT L's to end of deck)

FILE NAME =	USER NAME = teasleyck	DESIGNED - KLB	REVISED -
ei:\pw_work\pwidot\teasleyck\d0181558\0774450-sht-brdetails-0250070.dgn		DRAWN - KLB	REVISED -
	PLOT SCALE = 40.0000 ' / in.	CHECKED - MEA	REVISED -
	PLOT DATE = 10/18/2012	DATE - 05/31/12	REVISED -

**STATE OF ILLINOIS  
DEPARTMENT OF TRANSPORTATION**

**EXPANSION JOINT REPLACEMENT DETAILS  
SN. 025-0070 (SB)**

SCALE: SHEET NO. 15 OF 22 SHEETS STA. TO STA.

F.A.I. RTE.	SECTION	COUNTY	TOTAL SHEETS	SHEET NO.
57	.	••	84	71
CONTRACT NO. 74450			ILLINOIS FED. AID PROJECT	

• (25-6-1RS-8 & (13-1RS-2  
•• EFFINGHAM & CLAY COUNTIES