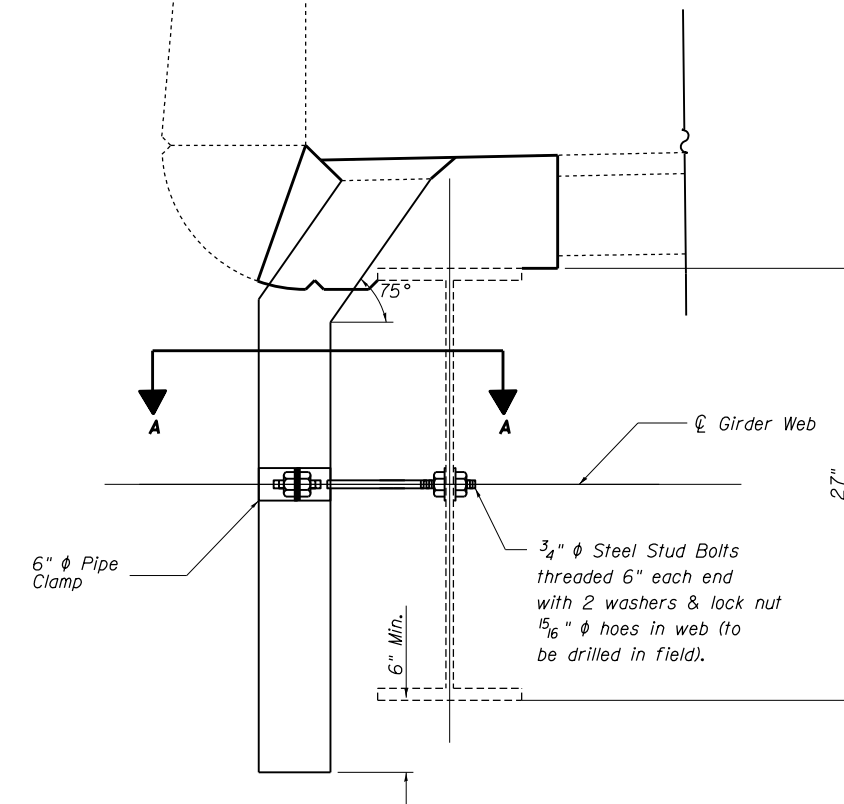
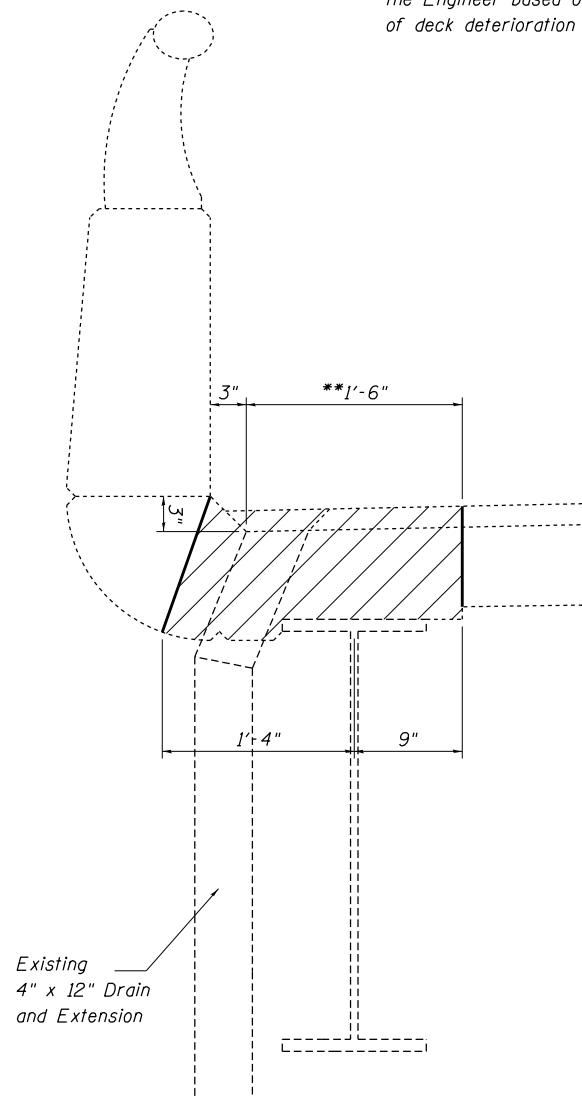


SECTION THRU EXISTING FLOOR DRAIN

Hatched area indicates concrete removal at floor drain replacement.

Note: Concrete removal and replacement quantities for drains are included in Deck Slab Repair as shown on "Bridge Deck Patching" plan sheets.

** Concrete removal and replacement dimensions shall be determined by the Engineer based on the extent of deck deterioration at each drain.



DRAIN REPLACEMENT DETAIL

Note: See "Bridge Deck Patching" plan sheets for Floor Drain replacement location and Plug Existing Deck Drain locations. See "Total Bill of Materials" for each structure for quantities.

Notes: The floor drains shall be painted to match the outside of the fascia beams. The exterior surfaces of the drains shall be cleaned according to Society of Protective Coatings Specification SSPC-SPI prior to painting. Fiberglass pipe shall conform to ASTM D 2996, with short-time rupture strength hoop tensile stress of 30,000 p.s.i. minimum. Galvanize clamping device according to AASHTO M232. Cost of clamping device and galvanizing is included with Floor Drains.

FILE NAME =	USER NAME = teasleyck	DESIGNED - KLB	REVISED -
ci:\pw\work\pwidot\teasleyck\d0181558\0774450-sht-brdetails-0250070.dgn		DRAWN - KLB	REVISED -
	PLOT SCALE = 40.0000' / in.	CHECKED - MEA	REVISED -
	PLOT DATE = 10/18/2012	DATE - 05/31/12	REVISED -

STATE OF ILLINOIS
DEPARTMENT OF TRANSPORTATION

FLOOR DRAIN DETAILS
SN. 025-0070 (SB)

SCALE: SHEET NO. 16 OF 22 SHEETS STA. TO STA.

F.A.I. RTE.	SECTION	COUNTY	TOTAL SHEETS	SHEET NO.
57	.	**	84	72
			CONTRACT NO. 74450	
ILLINOIS FED. AID PROJECT				

• (25-6-1RS-8 & (13-1RS-2
• EFFINGHAM & CLAY COUNTIES