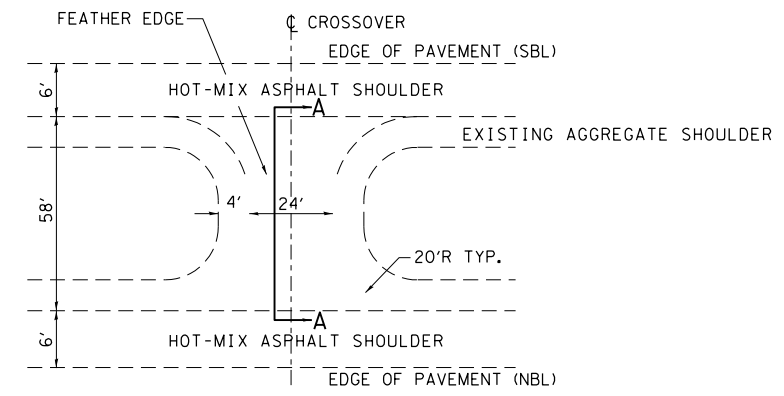
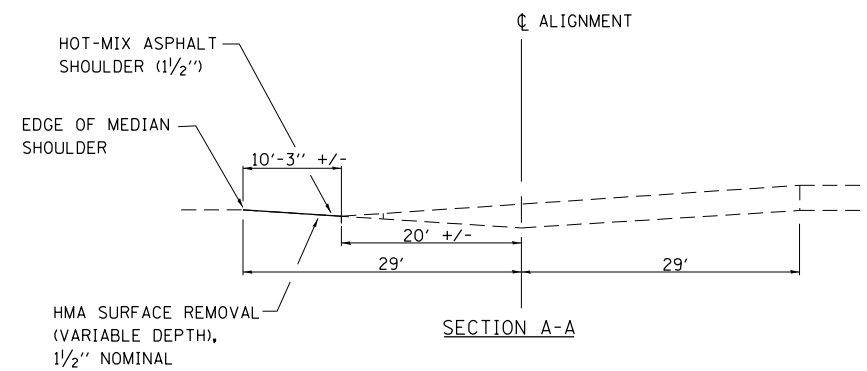
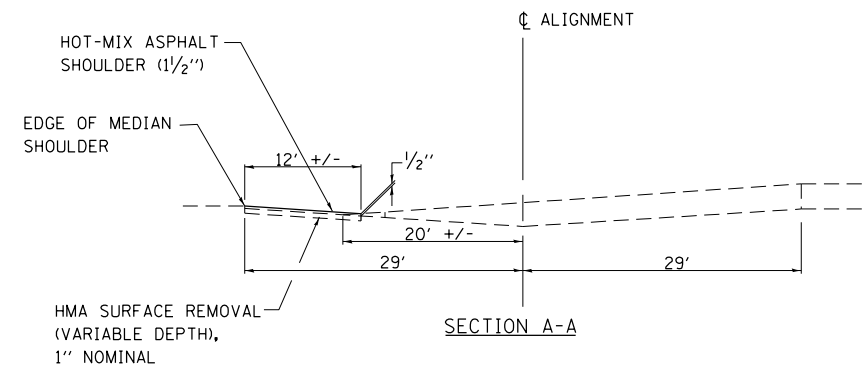


**DETAIL OF MEDIAN CROSSOVER**  
 STA. 4361+18.00  
 STA. 4570+92.00



**DETAIL OF MEDIAN CROSSOVER**  
 STA. 4220+00.00



FILE NAME =	USER NAME = teasleyck	DESIGNED -	REVISED -
c:\pwwork\pwwork\teasleyck\d0181558\d774450-sht-details.dgn		DRAWN -	REVISED -
	PLOT SCALE = 100.0000' / 1" =	CHECKED -	REVISED -
	PLOT DATE = 10/18/2012	DATE -	REVISED -

**STATE OF ILLINOIS  
 DEPARTMENT OF TRANSPORTATION**

<b>MEDIAN CROSS OVER DETAILS</b>			
SCALE: NA	SHEET NO. 1 OF 1 SHEETS	STA.	TO STA.

F.A.I. RTE.	SECTION	COUNTY	TOTAL SHEETS	SHEET NO.
57	*	**	84	82
CONTRACT NO. 74450				
ILLINOIS FED. AID PROJECT				