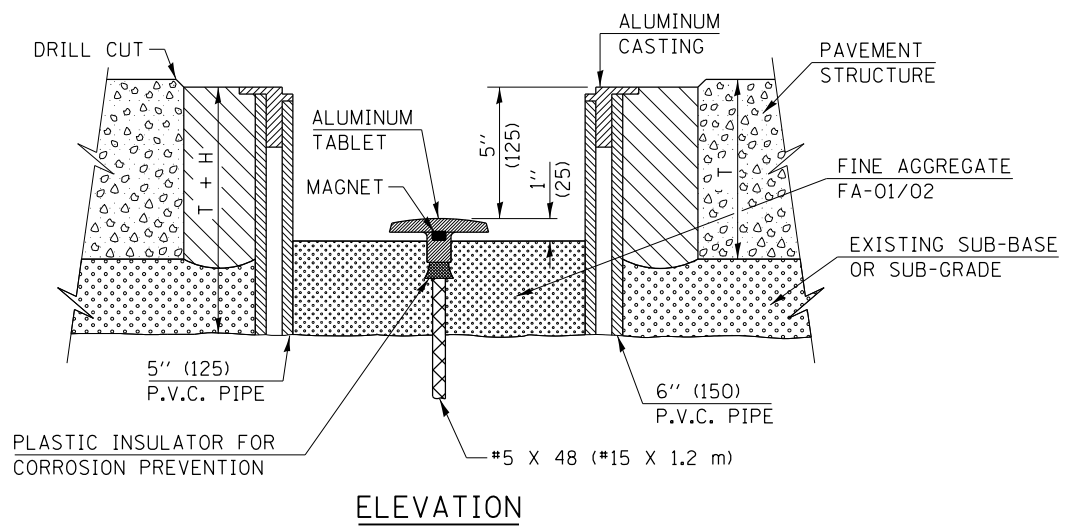
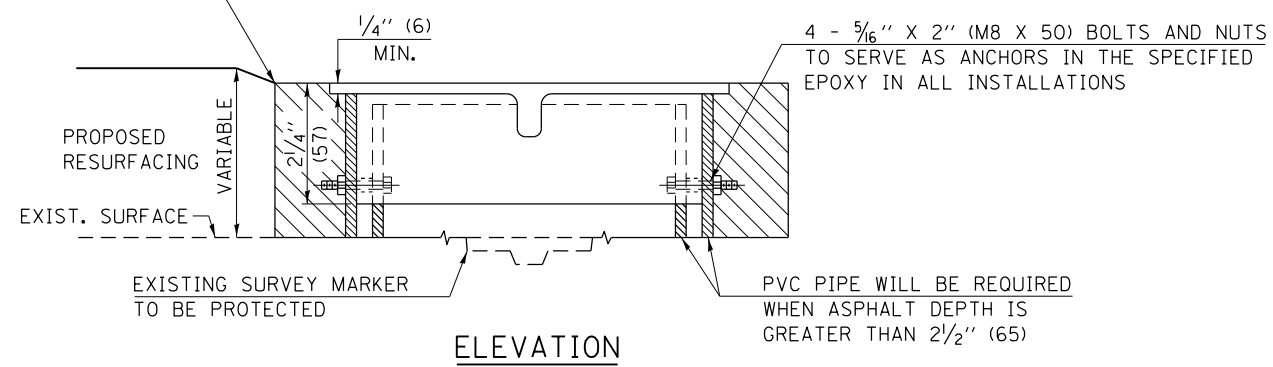
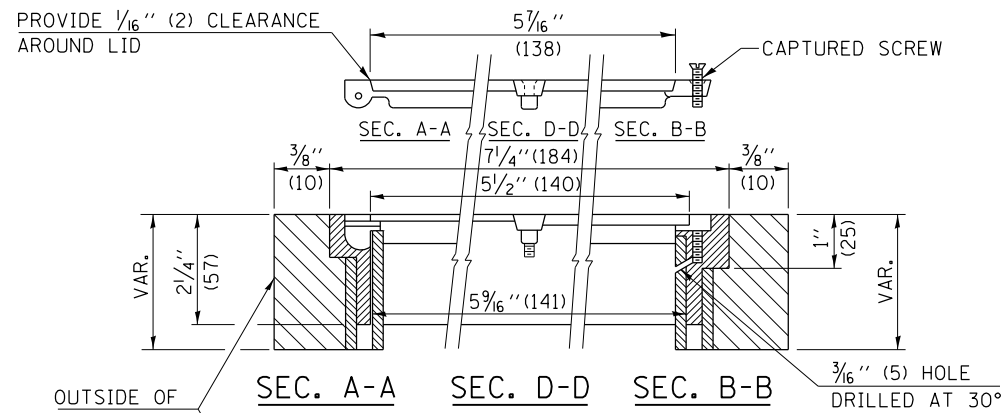
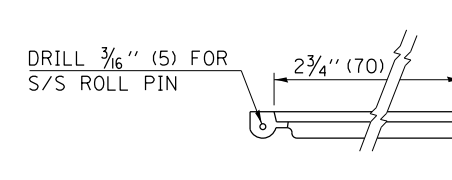
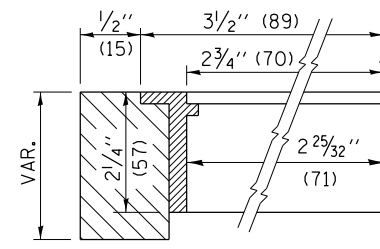


**LEGEND**

- ALUMINUM CASTING
- 5" (125) OR 6" (150) P.V.C. PIPE
- TWO-COMPONENT EPOXY
- T = THICKNESS OF PAVEMENT STRUCTURE
- H = THE THICKNESS OF THE SUB-BASE GRANULAR + 1" (25)

BILL OF MATERIAL	
ALUMINUM CASTING OF THE DIMENSIONS AND SPECIFICATIONS SHOWN OR OTHER SUBJECT TO ENGINEER'S APPROVAL OF SHOP DRAWINGS, 4 EACH - 5/16" X 2" (M8 X 50) BOLTS WITH NUTS, EPOXY, 5" OR 6" (125 mm OR 150 mm) DIAMETER P.V.C. PIPE, SCHEDULE 40 (WHEN REQUIRED).	



NOT TO SCALE  
 Note: All dimensions are in INCHES (millimeters) unless otherwise shown.

FILE NAME =	USER NAME = steffenmk	DESIGNED -	REVISED -	<b>STATE OF ILLINOIS DEPARTMENT OF TRANSPORTATION</b>	<b>SURVEY MARKER VAULT</b>			F.A. RTE.	SECTION	COUNTY	TOTAL SHEETS	SHEET NO.	
Default	ci:\pw\work\p\idot\steffenmk\d0271850\074537-shd-details.dgn	DRAWN -	REVISED -		SCALE: N/A	SHEET 1	OF 1 SHEETS	STA.	TO STA.	58-64-IRS, 126RS-2	Macon	69	58
	PLOT SCALE = 100.0000' / 1"	CHECKED -	REVISED -								CONTRACT NO. 74537		
	PLOT DATE = 3/22/2013	DATE -	REVISED -								ILLINOIS FED. AID PROJECT		

F.A.P. RTE. 712, F.A.U. RTE. 7464