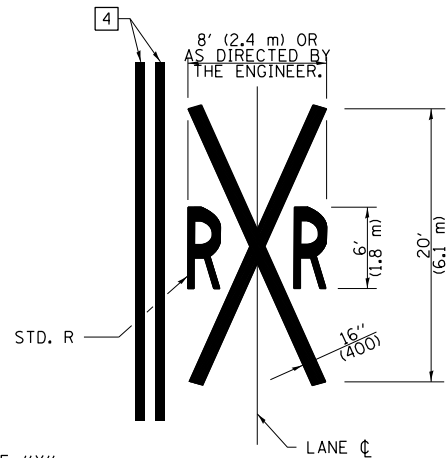
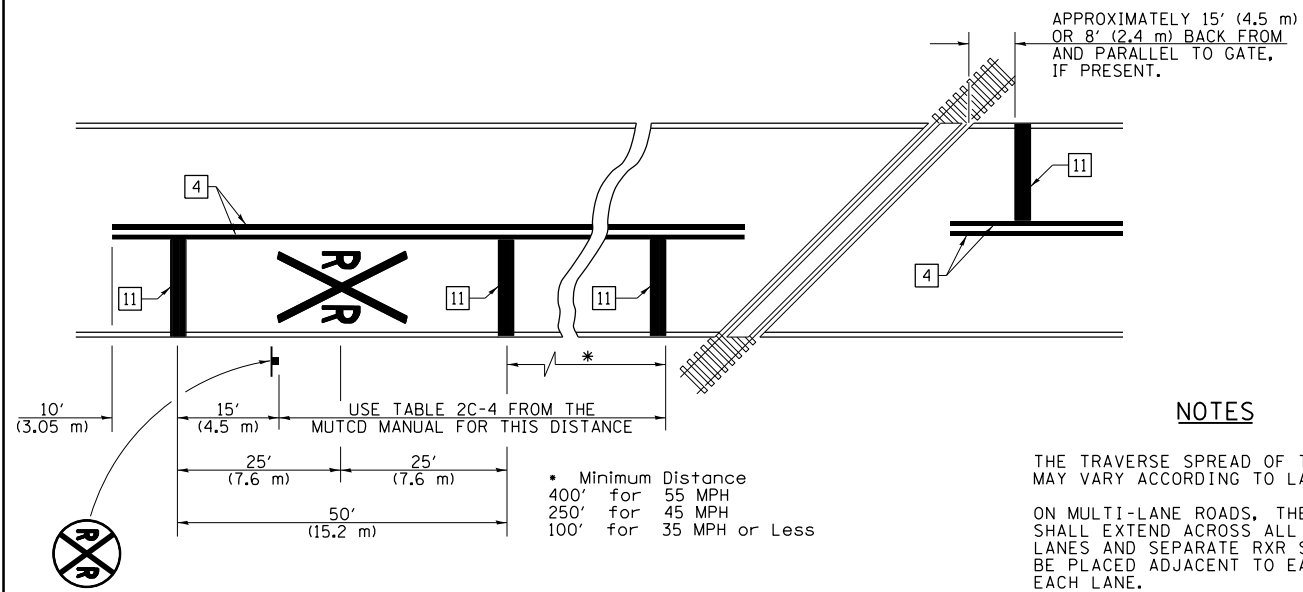


PAVEMENT MARKINGS AT RAILROAD-HIGHWAY GRADE CROSSING



NOTES

THE TRAVERSE SPREAD OF THE "X" MAY VARY ACCORDING TO LANE WIDTH.

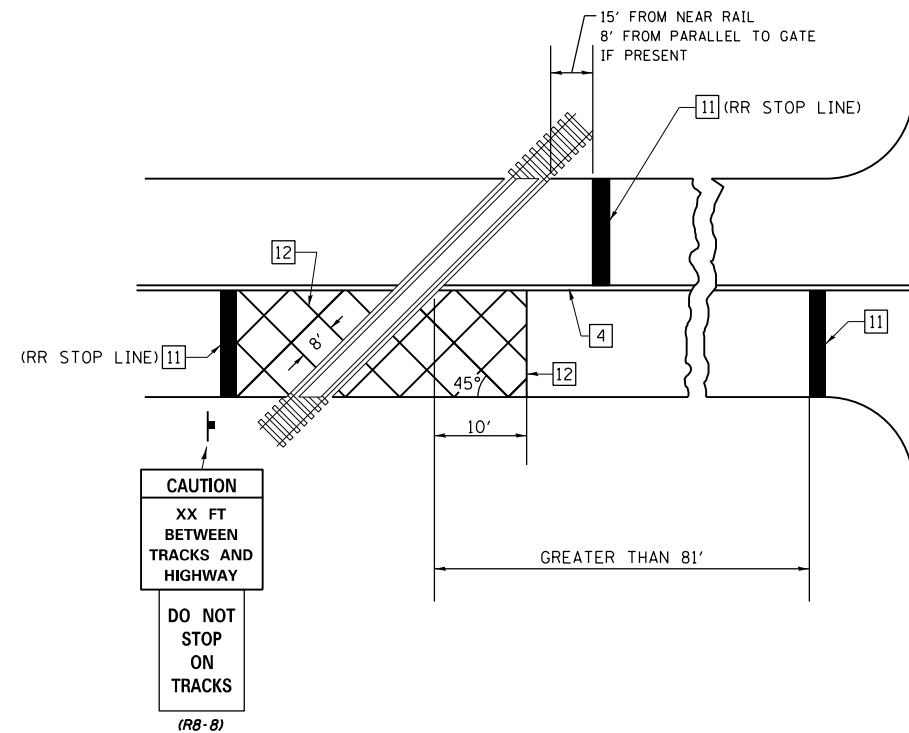
ON MULTI-LANE ROADS, THE STOP LINES SHALL EXTEND ACROSS ALL APPROACH LANES AND SEPARATE RXR SYMBOLS SHALL BE PLACED ADJACENT TO EACH OTHER IN EACH LANE.

WHEN THE PAVEMENT MARKING SYMBOL IS USED, A PORTION OF THE SYMBOL SHOULD BE LOCATED DIRECTLY ADJACENT TO THE ADVANCE WARNING SIGN (W10-1) AS PLACED BY TABLE II-1, CONDITION B OF THE MUTCD.

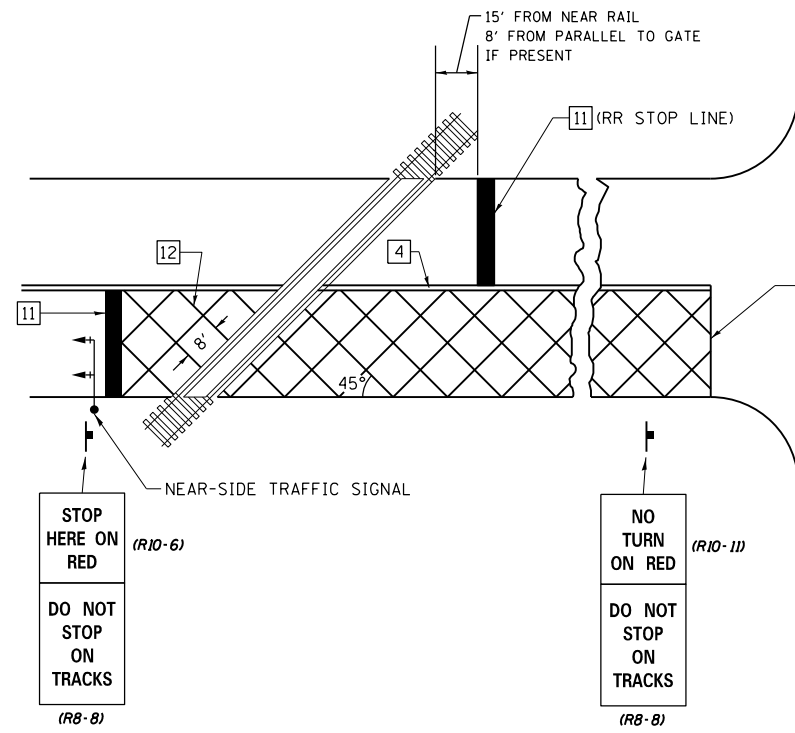
PAVEMENT MARKING LEGEND

- 1 4" (100) SKIP-DASH (YELLOW)
  - 2 4" (100) SOLID (YELLOW)
  - 3 12" (300) DIAGONAL (YELLOW)
  - 4 4" (100) DOUBLE YELLOW (NARROW)
  - 5 12" (300) SOLID WHITE
  - 6 RESERVED
  - 7 6" (150) SKIP-DASH (WHITE)
  - 8 4" (100) SOLID (WHITE)
  - 9 12" (300) DIAGONAL (WHITE)
  - 10 6" (150) SOLID (WHITE)
  - 11 24" (600) STOP BAR (WHITE)
  - 12 8" (200) SOLID (WHITE)
  - 13 4" (100) PARKING WHITE
- 

RAILROAD CROSSING WITH INTERCONNECT ONLY



RAILROAD CROSSING WITH INTERCONNECT AND PRE-SIGNALS



GENERAL NOTES

- SUPPLEMENTAL PAVEMENT MARKINGS TO BE INSTALLED ONLY ON APPROACHES TO INTERSECTIONS CONTROLLED BY TRAFFIC SIGNALS WHICH ARE INTERCONNECTED WITH THE RAILROAD WARNING SIGNALS.
- EXTEND PAVEMENT MARKINGS TO THE INTERSECTION ONLY WHERE NEAR-SIDE TRAFFIC SIGNALS ARE USED.

SUPPLEMENTAL PAVEMENT MARKING TREATMENT FOR RAILROAD-HIGHWAY GRADE CROSSING

NOT TO SCALE

Note: All dimensions are in INCHES (millimeters) unless otherwise shown.

DISTRICT 7 DETAIL NO. 7800001

FILE NAME =	USER NAME = steffenmk	DESIGNED -	REVISED -	<b>STATE OF ILLINOIS DEPARTMENT OF TRANSPORTATION</b>	<b>PAVEMENT MARKING AND RAISED REFLECTIVE PAVEMENT MARKERS (RURAL &amp; URBAN APPLICATIONS)</b>	F.A. RTE.	SECTION	COUNTY	TOTAL SHEETS	SHEET NO.
et:\pw\work\p\dot\stevfenmk\d0339033\074614-Int_Signs.dgn		DRAWN -	REVISED -						44	44
		CHECKED -	REVISED -						CONTRACT NO. 74614	
		DATE -	REVISED -			SCALE:	SHEET NO. 4 OF 4 SHEETS	STA.	TO STA.	ILLINOIS FED. AID PROJECT