

LEGEND

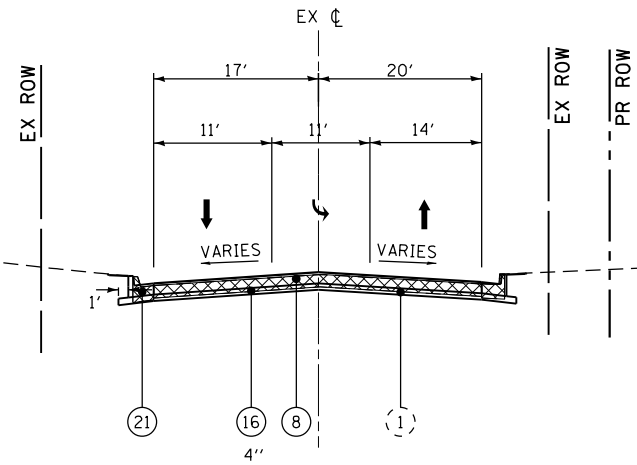
- (1) EXISTING PAVEMENT
- (2) EXISTING HMA SHOULDERS
- (3) EXISTING PIPE UNDERDRAIN
- (4) EXISTING B 6.24 BARRIER CURB
- (5) EXISTING MOUNTABLE CURB
- (6) EXISTING SUBBASE GRANULAR MATERIAL

- ① PROPOSED POLYMERIZED HMA SURFACE COURSE, MIX "D", N90
- ② PROPOSED POLYMERIZED HMA BINDER COURSE, IL-19.0, FG, N90
- ③ PROPOSED HMA BASE COURSE, 5 1/2"
- ④ PROPOSED HMA BASE COURSE, 6"
- ⑤ PROPOSED HMA BASE COURSE, 6 3/4"
- ⑥ PROPOSED HMA BASE COURSE, 8"
- ⑦ PROPOSED HMA BASE COURSE, 10"
- ⑧ PROPOSED PCC PAVEMENT 7"
- ⑨ PROPOSED PCC PAVEMENT 8"
- ⑩ PROPOSED PCC PAVEMENT 9" (SPECIAL)
- ⑪ PROPOSED HMA SHOULDERS (2")
- ⑫ PROPOSED HMA SHOULDERS (VARIABLE -
- ⑬ PROPOSED HMA SHOULDERS 8"
- ⑭ PROPOSED HMA SHOULDERS 10"
- ⑮ PROPOSED HMA SHOULDERS 10 1/2"
- ⑯ PROPOSED SUBBASE GRANULAR MATERIAL, TYPE A¹
- ⑰ PROPOSED AGGREGATE SHOULDERS, TYPE A 6"
- ⑱ PROPOSED AGGREGATE WEDGE SHOULDER, TYPE B
- ⑲ PROPOSED HMA SURFACE COURSE, MIX "C", N50
- ⑳ PROPOSED COMBINATION CONCRETE CURB & GUTTER TYPE B-6.12
- ㉑ PROPOSED COMBINATION CONCRETE CURB & GUTTER TYPE B-6.24
- ㉒ PROPOSED COMBINATION CONCRETE CURB & GUTTER TYPE B-9.12 (SPECIAL)
- ㉓ PROPOSED COMBINATION CONCRETE CURB & GUTTER TYPE B-9.24
- ㉔ PROPOSED COMBINATION CONCRETE CURB & GUTTER TYPE M-2.12
- ㉕ PROPOSED PCC SIDEWALK, 4"
- ㉖ PROPOSED CONCRETE MEDIAN SURFACE, 4"
- ㉗ PROPOSED CONCRETE MEDIAN, TYPE SB (SPECIAL)
- ㉘ PROPOSED 6' NOISE ABATEMENT WALL
- ㉙ PROPOSED SEGMENTAL BLOCK RETAINING WALL
- ㉚ PROPOSED PIPE UNDERDRAINS 4"
- ㉛ HMA SURFACE REMOVAL, 1 1/2"
- ㉜ HMA SURFACE REMOVAL, 2"
- ㉝ PROPOSED STEEL PLATE BEAM GUARDRAIL

☒ TO BE REMOVED

1 - SUBBASE THICKNESS VARIES UNDER SHOULDER; SEE STD 482001

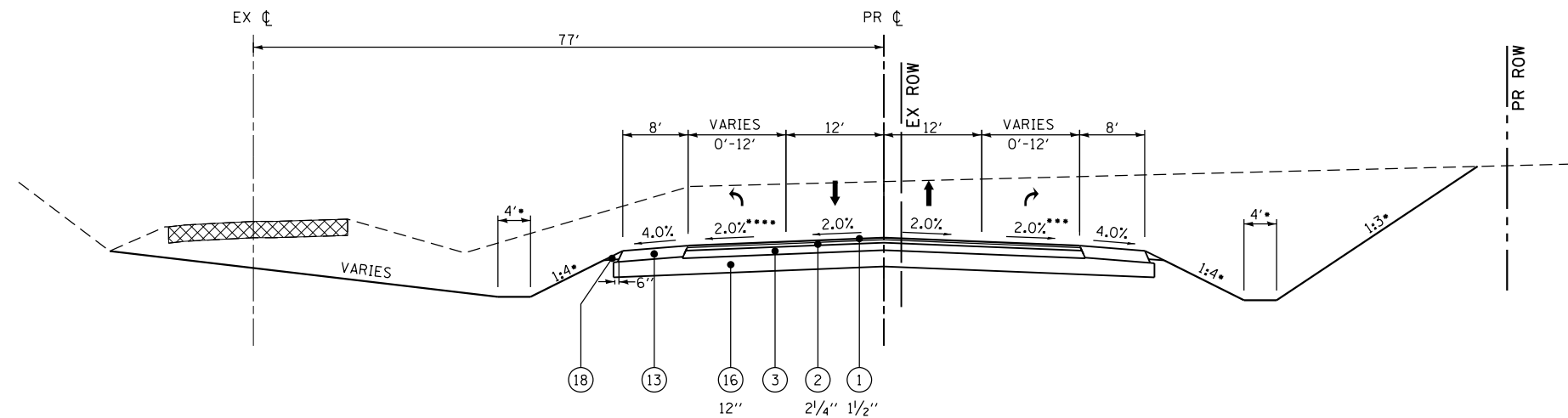
• OR AS SHOWN ON CROSS SECTIONS



MARKETPLACE DRIVE

STA 40+50.00 TO STA 40+87.73

- OR AS SHOWN ON CROSS SECTIONS
- SLOPE SHALL NOT EXCEED MAXIMUM SHOULDER ROLLOVER
- FROM STA 498+42.03 TO STA 499+70.00
- FROM STA 500+30.00 TO STA 502+09.35



GALL ROAD / NORTH MOORE STREET

STA 498+42.03 TO STA 499+50.00
STA 500+50.00 TO STA 502+09.35

LAST SAVED = 1/25/2013 3:28:39 PM
PEN TABLE = V:\A\141
PLOT DRIVER = pdfnclayers\plottcf9

FILE NAME =	USER NAME = beriechmann	DESIGNED -	REVISED -
I:\1001100\Phase II - 76817\Cad\T\Plans\004 - D876817-Sht-Typical.dgn		DRAWN -	REVISED -
PLOT SCALE = 20.0000' / in.		CHECKED -	REVISED -
PLOT DATE = 1/25/2013 3:28:39 PM		DATE -	REVISED -

**STATE OF ILLINOIS
DEPARTMENT OF TRANSPORTATION**

**HORNER &
SHIRIN, INC
ENGINEERS**

TYPICAL SECTIONS
GALL ROAD / N MOORE STREET & N MARKETPLACE DRIVE
SCALE: NONE SHEET NO. 18 OF 20 SHEETS STA. TO STA.

F.A.P. RTE.	SECTION	COUNTY	TOTAL SHEETS	SHEET NO.
312	68-WRS-1	MONROE	760	46
CONTRACT NO. 76817				
ILLINOIS FED. AID PROJECT				