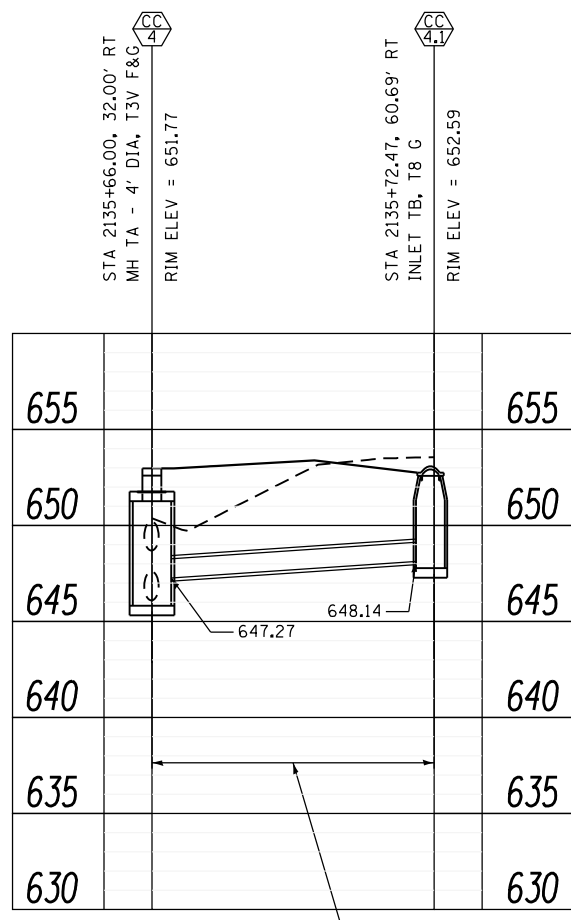


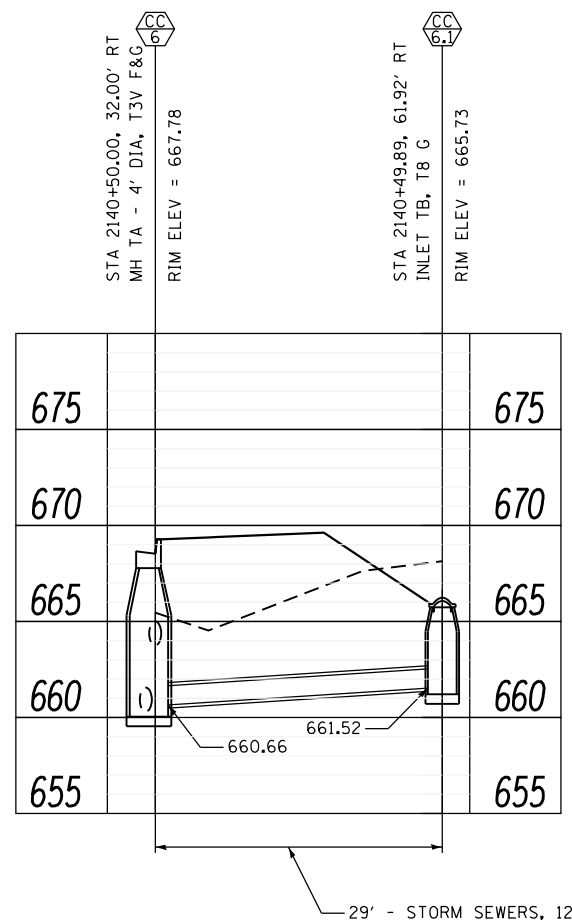
50' - STORM SEWERS, 12"  
CLASS A, TY 2, @0.80%  
8 CU YD TRENCH BACKFILL

50' - STORM SEWERS, 12"  
CLASS A, TY 1, @0.60%  
5 CU YD TRENCH BACKFILL

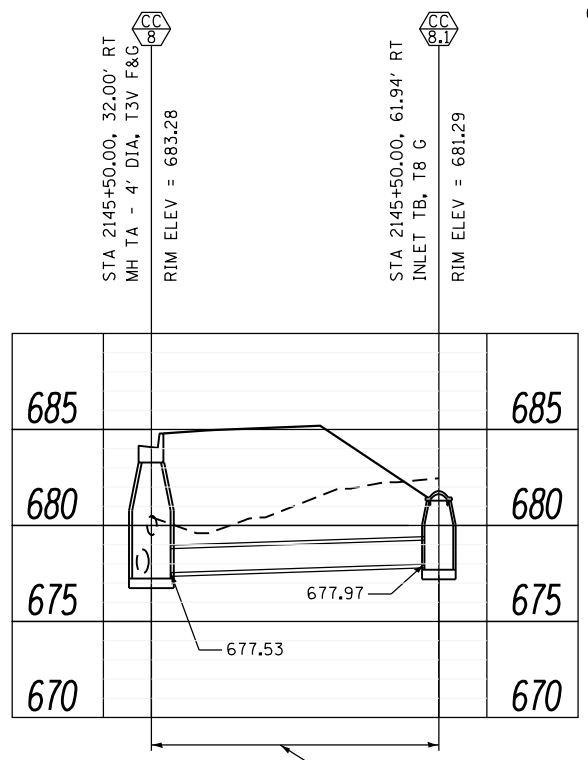
15' - STORM SEWERS, 12"  
CLASS A, TY 1, @0.60%  
1 CU YD TRENCH BACKFILL



29' - STORM SEWERS, 12"  
CLASS A, TY 2, @3.37%



29' - STORM SEWERS, 12"  
CLASS A, TY 2, @3.24%



29' - STORM SEWERS, 15"  
CLASS A, TY 2, @1.68%

LAST SAVED = 1/24/2013  
PEN TABLE = 1/24/2013  
PLOT DRIVER = pdfplotlayers.pltcf

FILE NAME =	USER NAME = beriechmann	DESIGNED -	REVISED -
I:\1001100\Phase II - 76817\Cad\T\Plans\074_0876817-sht-drain-profile.dgn		DRAWN -	REVISED -
		CHECKED -	REVISED -
PLOT SCALE = 20.0000' / in.		DATE -	REVISED -
PLOT DATE = 1/25/2013 3:32:45 PM			

STATE OF ILLINOIS  
DEPARTMENT OF TRANSPORTATION

HORNER &  
SHIRIN, INC.  
ENGINEERS

DRAINAGE PROFILES  
SYSTEM CC (CONT.)

SCALE: SHEET NO. 28 OF 38 SHEETS STA. TO STA.

F.A.P. RTE.	SECTION	COUNTY	TOTAL SHEETS	SHEET NO.
312	68-WRS-1	MONROE	760	270
CONTRACT NO. 76817				
ILLINOIS FED. AID PROJECT				