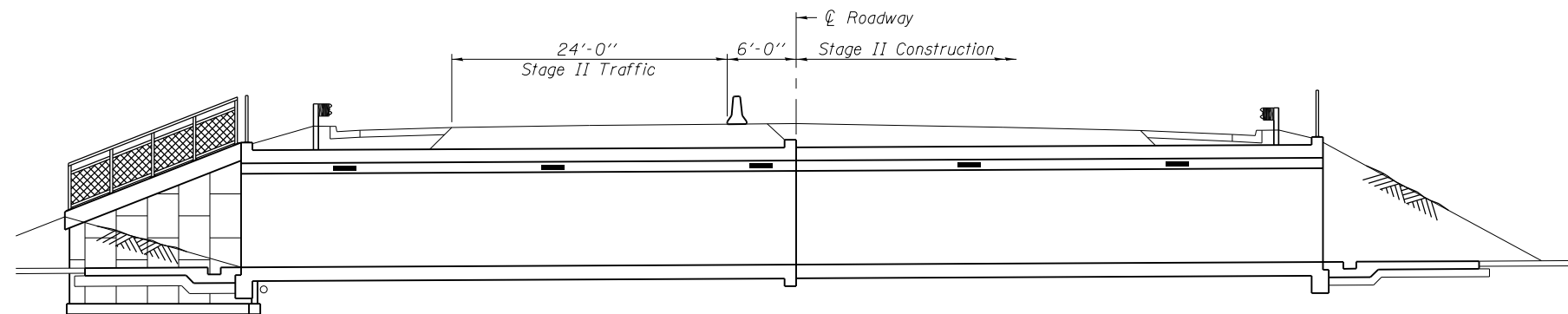


STAGE I CONSTRUCTION



STAGE II CONSTRUCTION

Notes:

*All staging cross section are looking North.
 For quantity of Temporary Concrete Barrier, see roadway plans.
 For Temporary Concrete Barrier Details, see sheet 5 of 20.
 For Temporary Sheet Pile Details, see sheet 3 of 20.*

FILE NAME = I:\100100\Phase II - 76817\ed\SV_Plan\0672427-76817.dgn 	DESIGNED - E.M. Lagemann	REVISED	STATE OF ILLINOIS DEPARTMENT OF TRANSPORTATION	STAGE CONSTRUCTION DETAILS STRUCTURE NO. 067-2427	F.A.P. RTE.	SECTION	COUNTY	TOTAL SHEETS	SHEET NO.
	USER NAME = elagemann	CHECKED - K.L. Hayes			REVISED	312	68-WRS-1	MONROE	760
PLOT SCALE =	DRAWN - E.M. Lagemann	REVISED	SHEET NO. 4 OF 20 SHEETS		CONTRACT NO. 76817				
PLOT DATE = 1/25/2013	CHECKED - K.L. Hayes	REVISED			ILLINOIS FED. AID PROJECT				