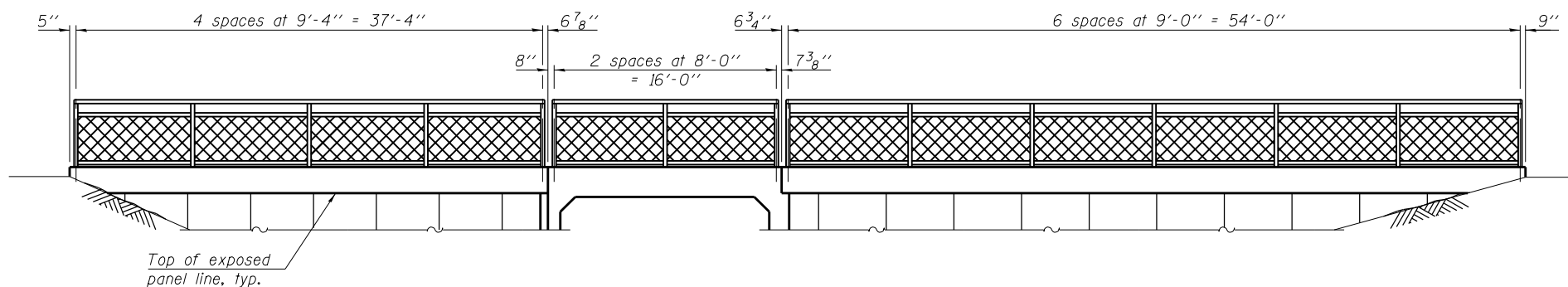
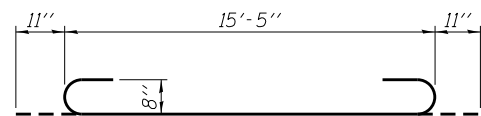


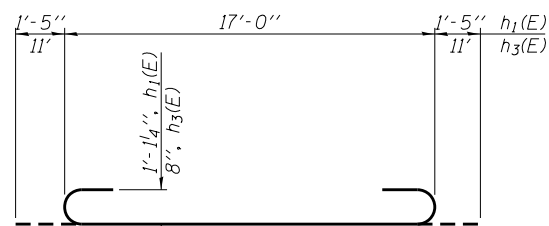
DEVELOPED ELEVATION - WEST END OF CULVERT
(Looking East)



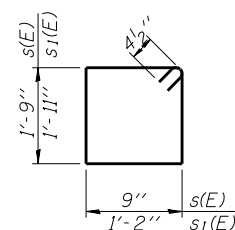
DEVELOPED ELEVATION - EAST END OF CULVERT
(Looking West)



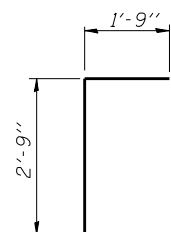
BAR a(E)



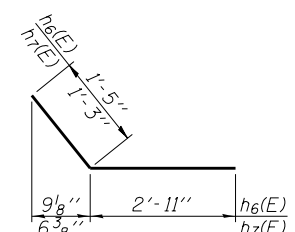
BARS h₁(E) & h₃(E)



BARS s(E) & s₁(E)



BAR d(E)



BARS h₆(E) & h₇(E)

BILL OF MATERIAL

| Bar | No. | Size | Length | Shape |
|----------------------------------|-----|---------|---------|-------|
| a(E) | 310 | #8 | 17'-3" | U |
| a ₁ (E) | 53 | #4 | 15'-5" | — |
| a ₂ (E) | 69 | #5 | 15'-5" | — |
| d(E) | 32 | #4 | 4'-6" | L |
| h(E) | 208 | #5 | 27'-10" | — |
| h ₁ (E) | 4 | #10 | 19'-10" | U |
| h ₂ (E) | 6 | #6 | 17'-0" | — |
| h ₃ (E) | 8 | #8 | 18'-10" | U |
| h ₄ (E) | 208 | #5 | 26'-10" | — |
| h ₅ (E) | 4 | #5 | 11'-3" | — |
| h ₆ (E) | 22 | #5 | 4'-4" | — |
| h ₇ (E) | 22 | #5 | 4'-2" | — |
| s(E) | 51 | #4 | 5'-9" | □ |
| s ₁ (E) | 24 | #4 | 6'-11" | □ |
| v(E) | 424 | #5 | 5'-4" | — |
| v ₁ (E) | 424 | #5 | 10'-9" | — |
| Concrete Box Culverts | | Cu. Yd. | 258.5 | |
| Reinforcement Bars, Epoxy Coated | | Pound | 36,450 | |

Notes:
For Culvert Plan, see sheet 6 of 20.
For Culvert Elevation and Details, see sheet 7 of 20.
For Bicycle Railing details, see sheet 11 of 20.