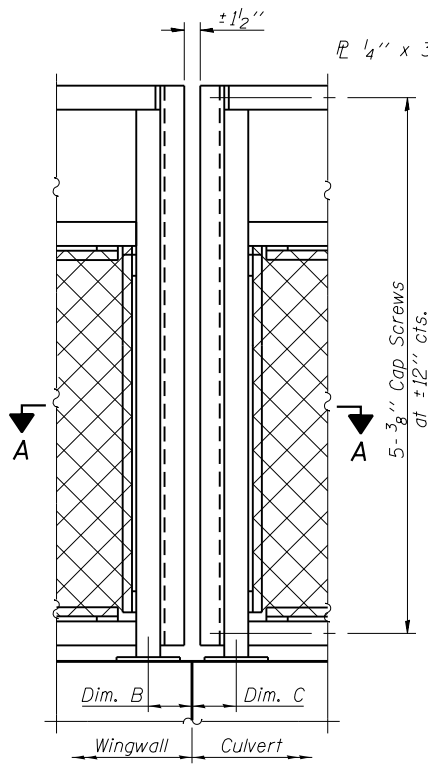
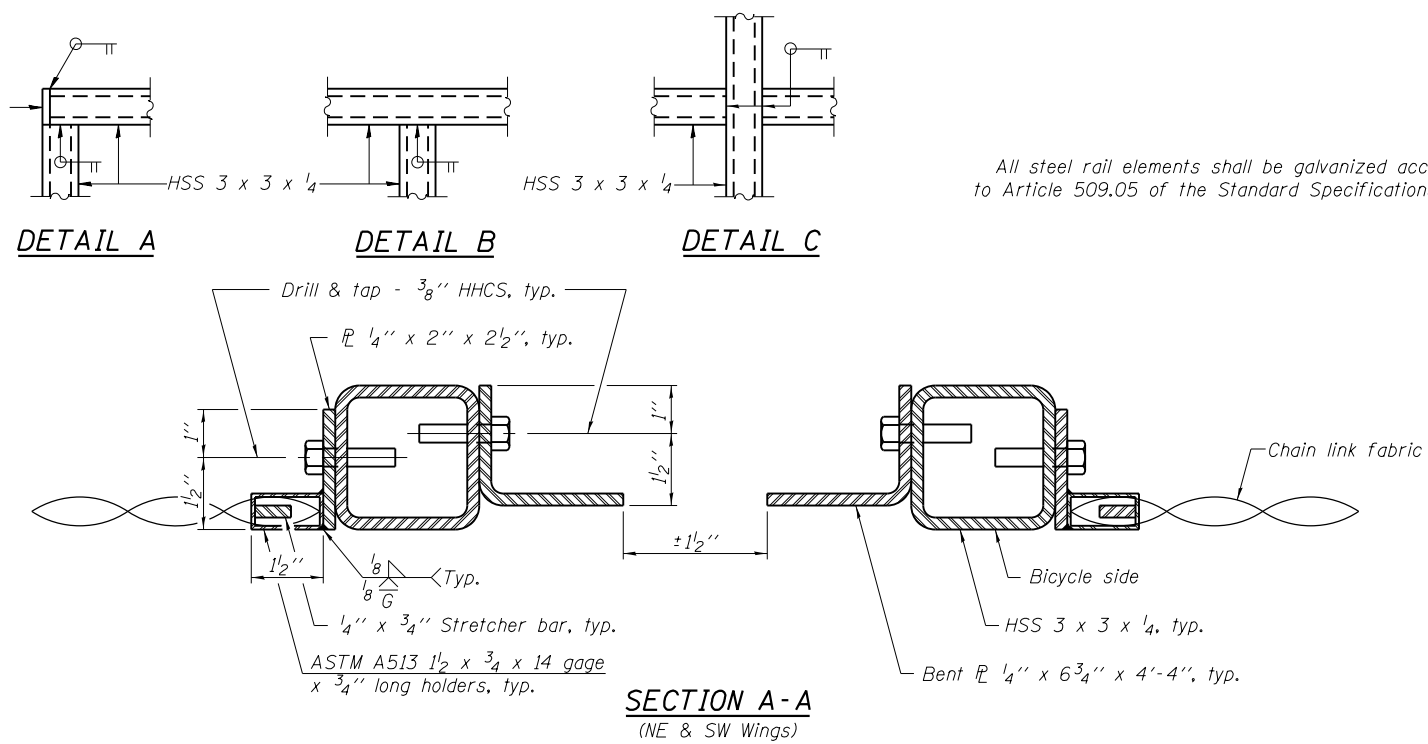


**BICYCLE RAILING**



**BICYCLE RAILING**

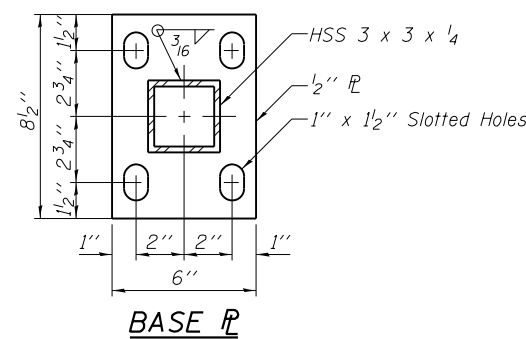


All steel rail elements shall be galvanized according to Article 509.05 of the Standard Specifications.

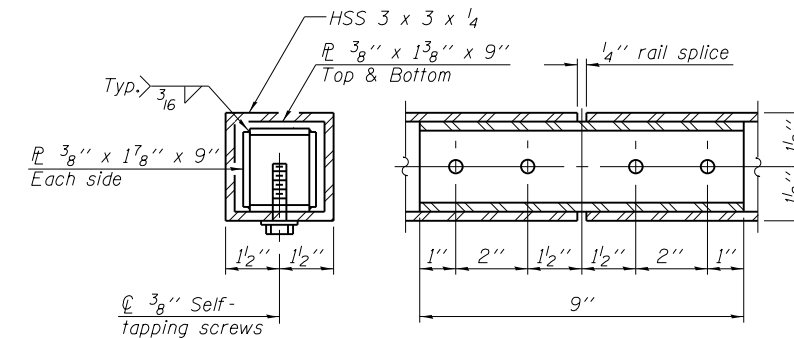
**SECTION A-A**  
(NE & SW Wings)

**TABLE OF VARIABLE DIMENSIONS**

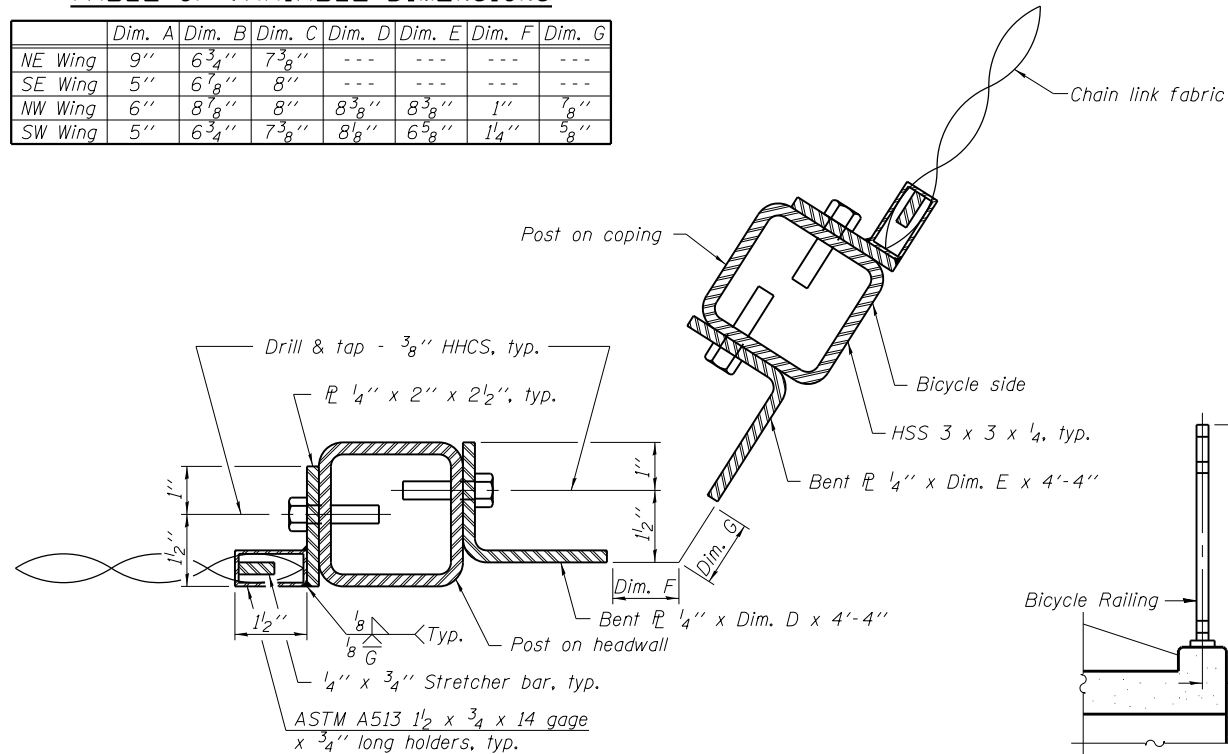
	Dim. A	Dim. B	Dim. C	Dim. D	Dim. E	Dim. F	Dim. G
NE Wing	9"	6 <sup>3</sup> / <sub>4</sub> "	7 <sup>3</sup> / <sub>8</sub> "	---	---	---	---
SE Wing	5"	6 <sup>1</sup> / <sub>8</sub> "	8"	---	---	---	---
NW Wing	6"	8 <sup>3</sup> / <sub>8</sub> "	8"	8 <sup>3</sup> / <sub>8</sub> "	8 <sup>3</sup> / <sub>8</sub> "	1"	7 <sup>3</sup> / <sub>8</sub> "
SW Wing	5"	6 <sup>3</sup> / <sub>4</sub> "	7 <sup>3</sup> / <sub>8</sub> "	8 <sup>3</sup> / <sub>8</sub> "	6 <sup>5</sup> / <sub>8</sub> "	1 <sup>1</sup> / <sub>4</sub> "	5 <sup>5</sup> / <sub>8</sub> "



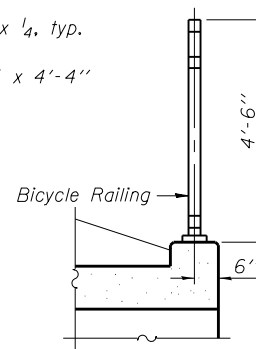
**BASE PLATE**



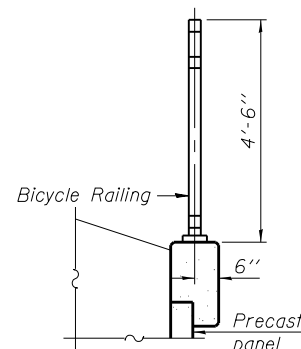
**RAIL SPLICE**



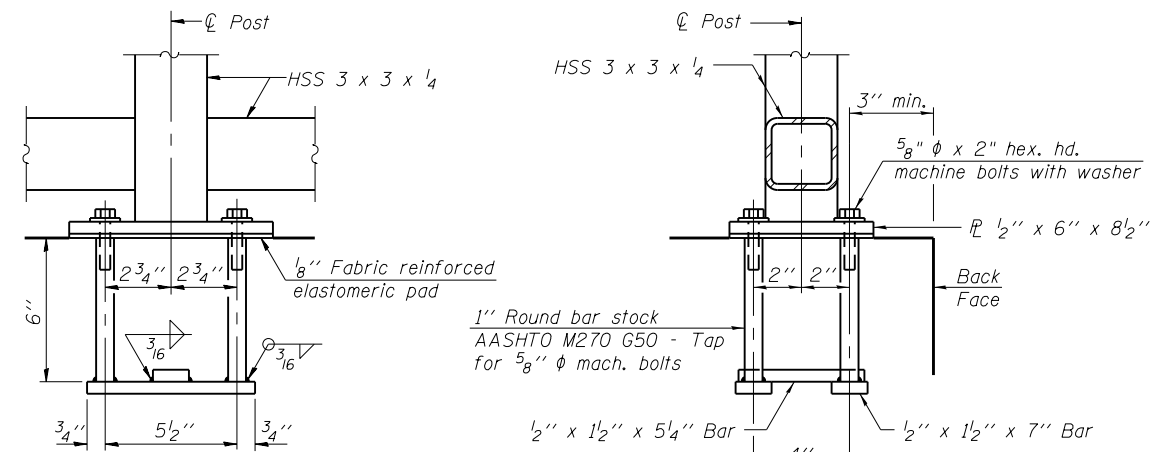
**SECTION A-A**  
(NW & SE Wings)



**SECTION THRU HEADWALL**



**SECTION THRU COPING**



**ANCHOR BOLT DETAILS**

In lieu of the cast-in-place anchor device shown, the Contractor has the option of drilling and setting 5/8" φ anchor rods according to Article 509.06 of the Standard Specifications. Embedment shall be according to the manufacturer's specifications.

**BILL OF MATERIAL**

Item	Unit	Quantity
Bicycle Railing	Foot	211