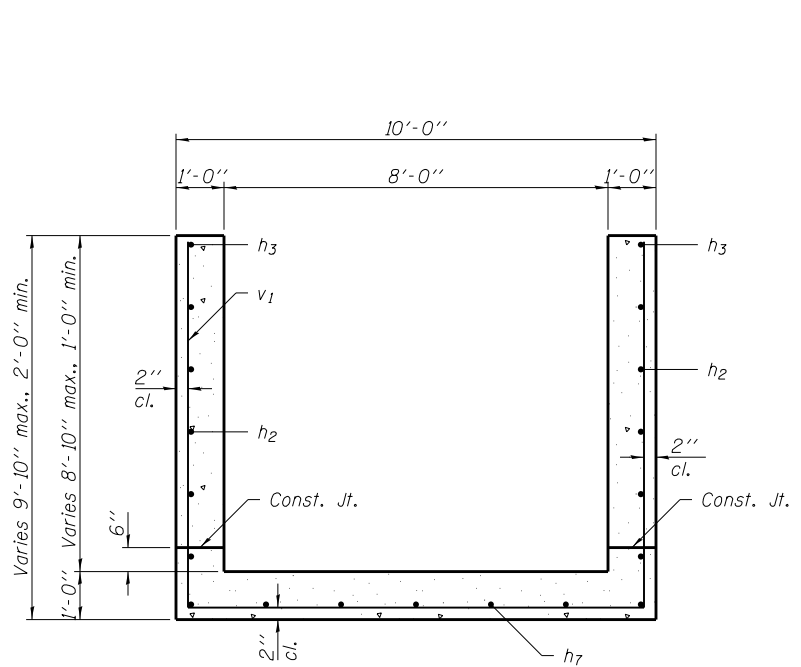
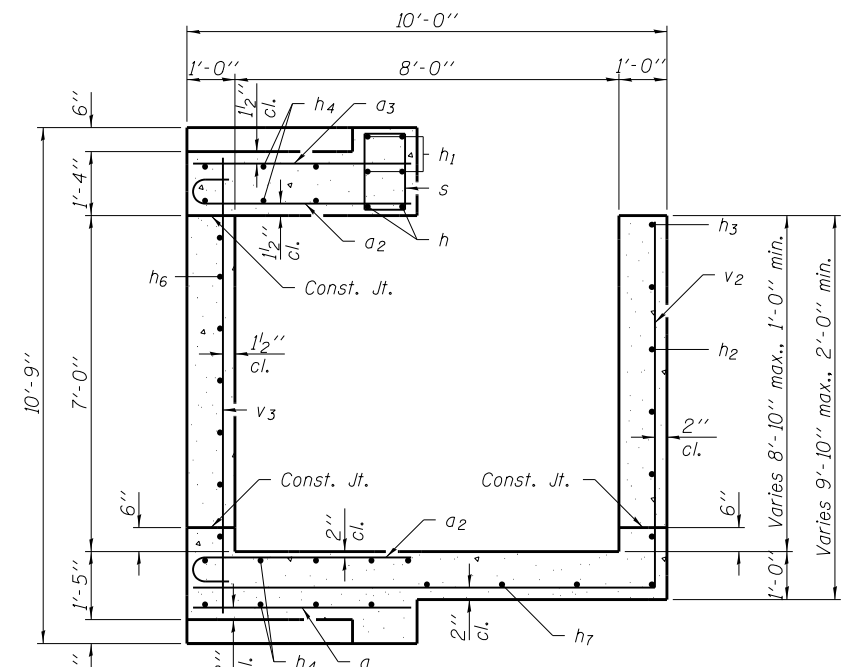


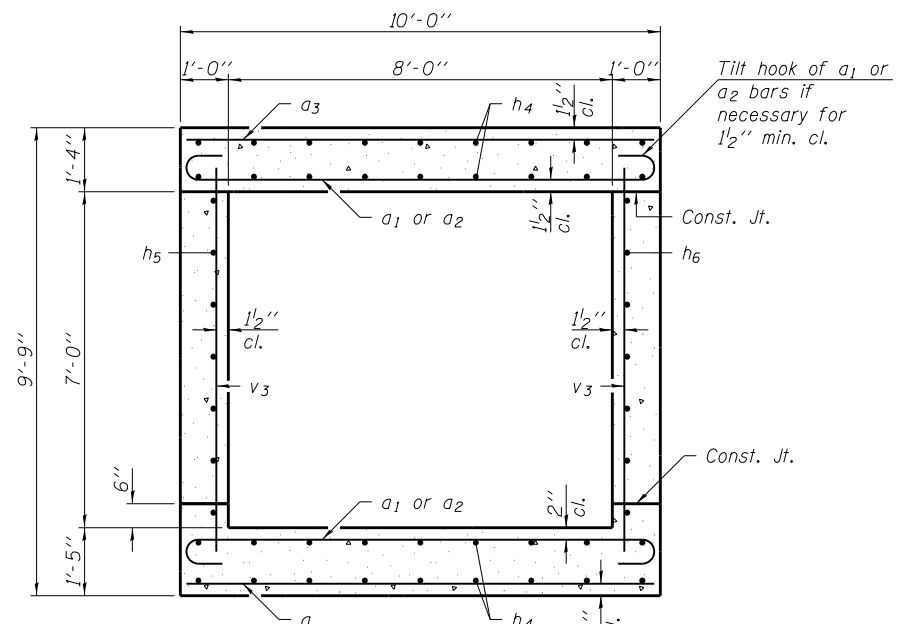
SECTION A-A



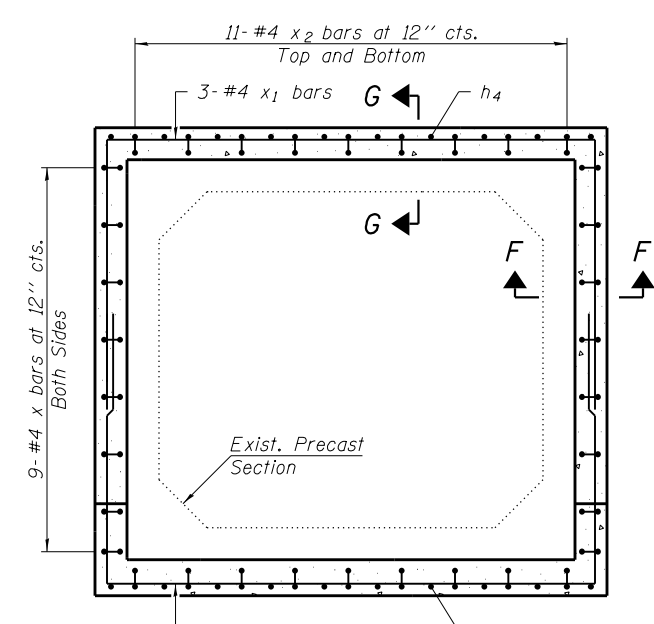
SECTION B-B



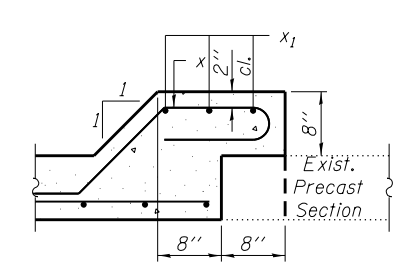
SECTION C-C



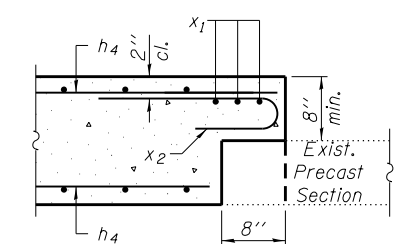
SECTION D-D



SECTION E-E



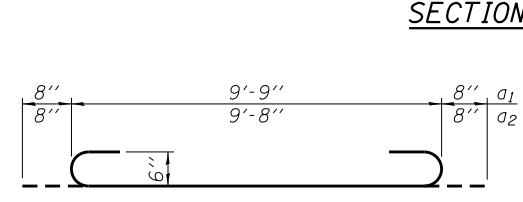
SECTION F-F



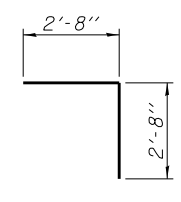
SECTION G-G

BILL OF MATERIAL

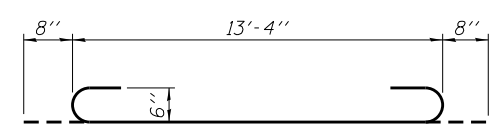
Bar	No.	Size	Length	Shape
a	10	#4	9'-8"	U
a1	22	#6	11'-1"	U
a2	12	#6	11'-0"	U
a3	12	#5	9'-9"	U
b	2	#5	9'-8"	U
d	7	#4	5'-4"	J
h	4	#6	14'-8"	U
h1	4	#6	13'-4"	U
h2	12	#4	30'-3"	U
h3	2	#4	31'-3"	U
h4	36	#5	14'-2"	U
h5	8	#5	14'-4"	U
h6	8	#5	8'-10"	U
h7	7	#4	40'-2"	U
s	13	#4	5'-5"	□
v	15	#6	13'-10"	J
v1	31	#6	26'-1"	U
v2	15	#6	19'-2"	J
v3	22	#5	9'-5"	U
x	18	#4	5'-6"	U
x1	6	#4	22'-1"	U
x2	22	#4	4'-3"	U
Reinforcement Bars			Pound	4,600
Concrete Box Culverts			Cu. Yd.	43.0



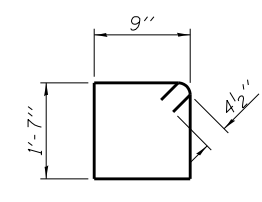
BARS a1 & a2



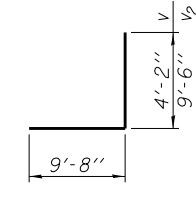
BAR d



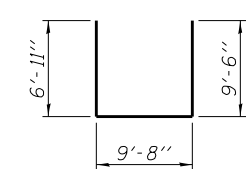
BAR h



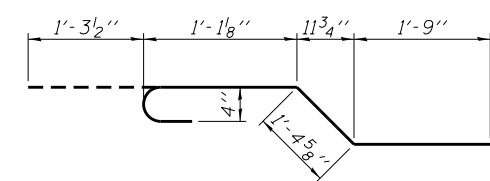
BAR s



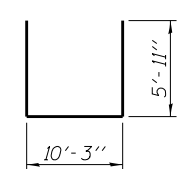
BAR v & v2



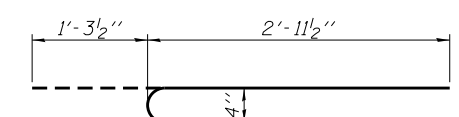
BAR v1



BAR x



BAR x1



BAR x2

Note: For Plan & Longitudinal Section, see sheet 1 of 2.

LAST SAVED = 1/23/2013
 PEN TABLE = W24x44.tbl
 PLOT DRIVER = pdfnclayers.pltcf9

FILE NAME =	USER NAME = elagemann	DESIGNED K.A. Klues	REVISED -
1:\1001100\Phase II - 76817\Cad\S\Plans\Headwalls-76817.dgn		DRAWN K.A. Klues	REVISED -
		CHECKED E.M. Lagemann	REVISED -
PLOT SCALE = 0:2.0000 '1' = 1"		DATE 01/09/2013	REVISED -
PLOT DATE = 1/23/2013 11:46:21 AM			

STATE OF ILLINOIS
 DEPARTMENT OF TRANSPORTATION

HORNER &
 SHIRIN, INC.
 ENGINEERS

DOWNSTREAM APRON DETAILS
 CULVERT AT STA. 2028+57.35

SCALE: SHEET NO. 2 OF 2 SHEETS STA. 2027+92.00 TO STA. 2028+94.45

F.A.P. R.T.E.	SECTION	COUNTY	TOTAL SHEETS	SHEET NO.
312	68-WRS-1	MONROE	760	438
CONTRACT NO. 76817				
ILLINOIS FED. AID PROJECT				