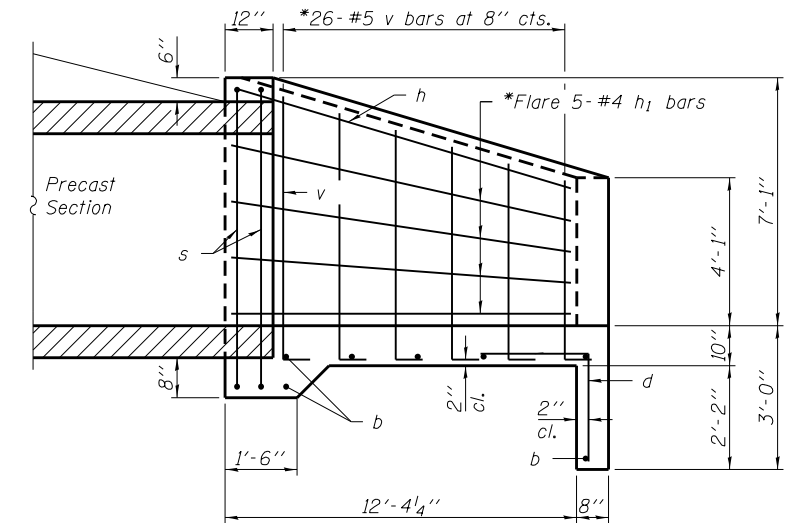
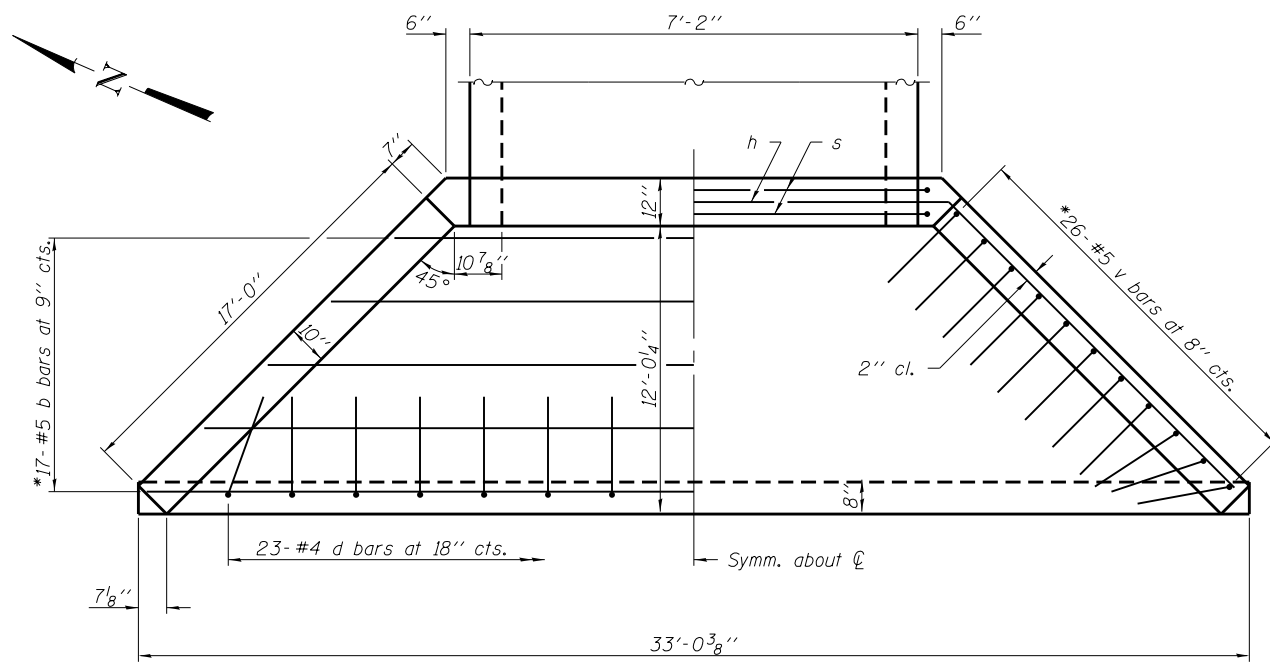


END ELEVATION

* Cut or Bend to fit



HALF SIDE ELEVATION



PLAN

Notes:
 For bar bending diagrams, see sheet 3 of 3.
 For sloped tapered inlet details, see sheets 2 and 3 of 3.

LAST SAVED = 1/23/2013
 PEN TABLE = 1/23/2013
 PLOT DRIVER = pdfplotlayers.pltcf9

FILE NAME =	USER NAME = elagemann	DESIGNED E.M. Lagemann	REVISED -
I:\1001100\Phase II - 76817\Cad\S\Plans\Headwalls-76817.dgn		DRAWN E.M. Lagemann	REVISED -
	PLOT SCALE = 0:2.0000 '1' / in.	CHECKED K.L. Hayes	REVISED -
	PLOT DATE = 1/23/2013 11:46:26 AM	DATE 1/17/2013	REVISED -

STATE OF ILLINOIS
 DEPARTMENT OF TRANSPORTATION

HORNER &
 SHIRIN, INC.
 ENGINEERS

DOWNSTREAM APRON DETAILS
 CULVERT AT STA. 2089+50.12

F.A.P. RTE.	SECTION	COUNTY	TOTAL SHEETS	SHEET NO.
312	68-WRS-1	MONROE	760	444
CONTRACT NO. 76817			ILLINOIS FED. AID PROJECT	

SCALE: SHEET NO. 1 OF 3 SHEETS STA. 2089+33.39 TO STA. 2089+79.02