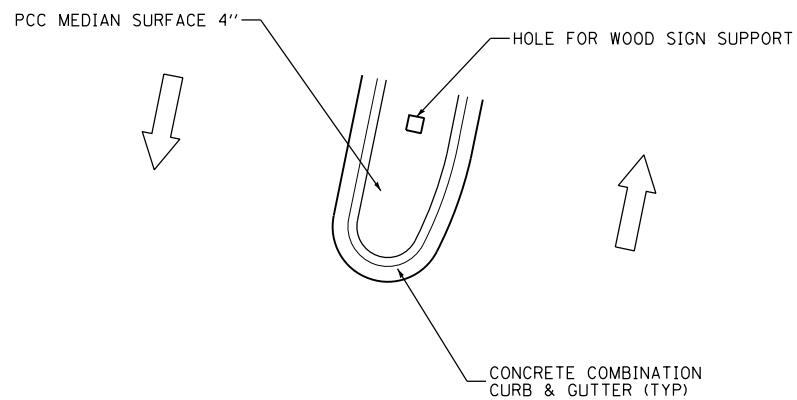


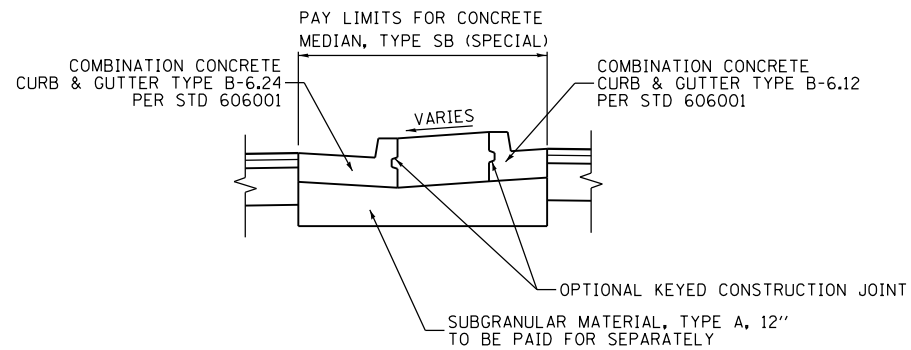
PCC SIDEWALK 8" DETAILS

JOINT CONSTRUCTION WILL NOT BE PAID FOR SEPARATELY, BUT IS INCLUDED IN THE COST OF THE PCC SIDEWALK 8" BEING CONSTRUCTED. SEE STANDARD 420001 FOR JOINT DETAILS.

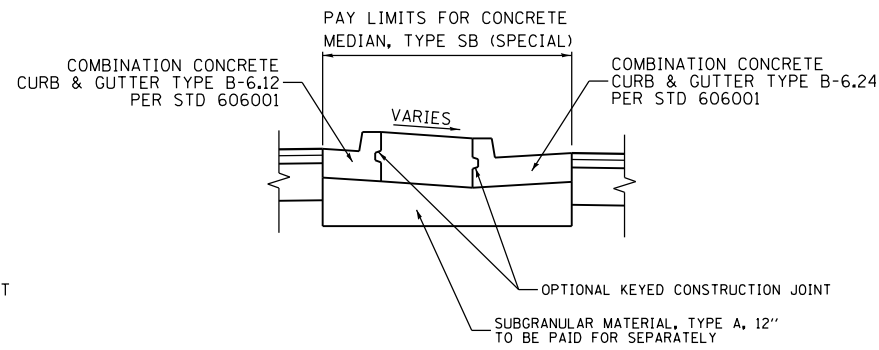


HOLE FOR WOOD SIGN SUPPORT IN MEDIAN DETAIL

HOLE TO BE FORMED IN MEDIAN INCLUDED IN THE COST OF PCC MEDIAN. SIZE OF HOLE AND FILL TO BE CONSTRUCTED ACCORDING TO ARTICLE 730.04 OF STANDARD SPECIFICATIONS FOR ROAD AND BRIDGE CONSTRUCTION

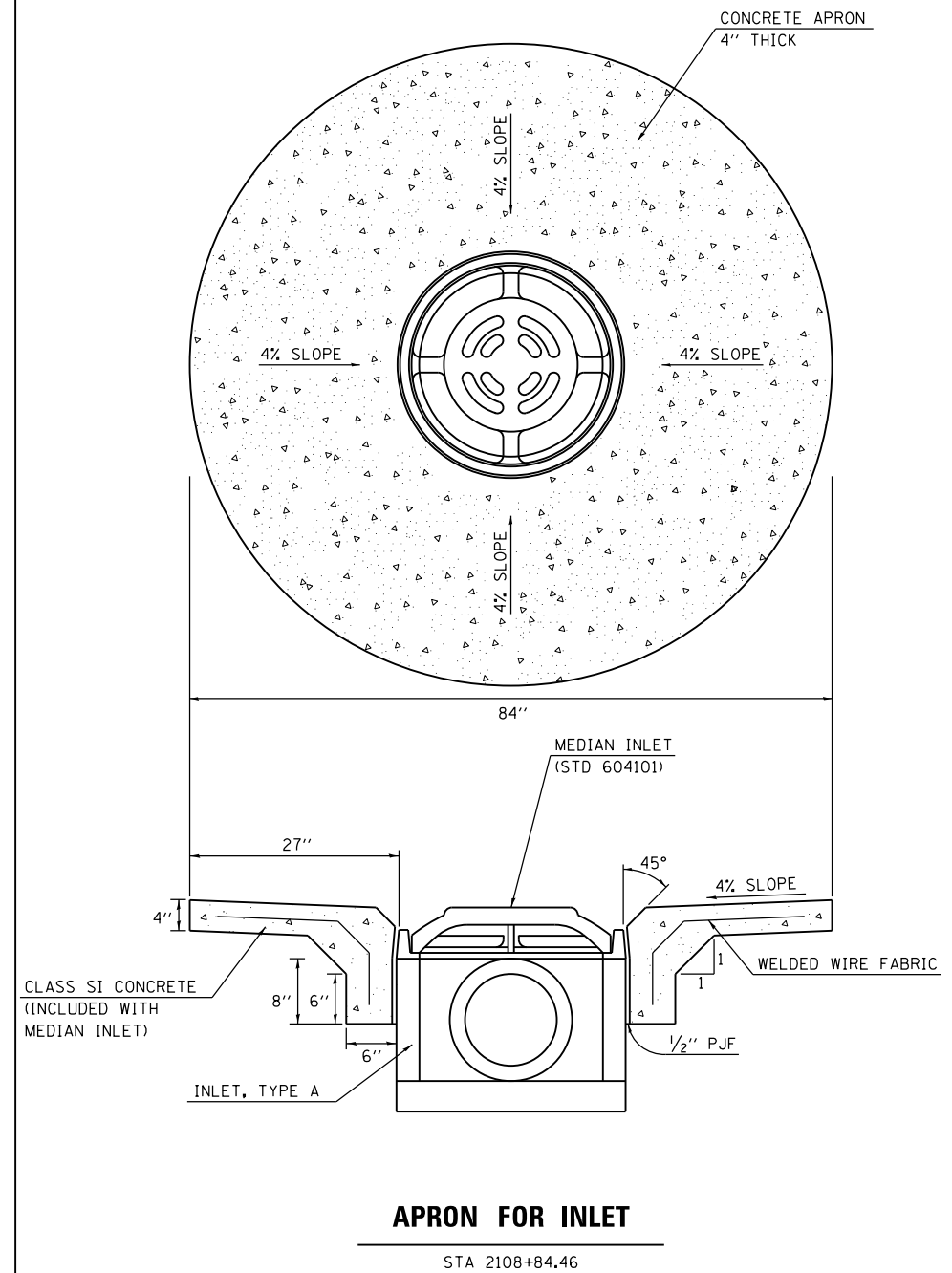


FROM STA 2155+84.29 TO STA 2158+14.60



FROM STA 2159+39.02 TO STA 2167+10.19

CONCRETE MEDIAN, TYPE SB (SPECIAL)



APRON FOR INLET

STA 2108+84.46

LAST SAVED = 1/25/2013 3:34:53 PM
 PEN TABLE = V:\p\141
 PLOT DRIVER = pdfnclayers\p\141.ctb

FILE NAME =	USER NAME = beriechmann	DESIGNED -	REVISED -
I:\1001100\Phase II - 76817\Cad\T\Plans\299_0876817-sht-details.dgn		DRAWN -	REVISED -
	PLOT SCALE = 100.0000' / 1"	CHECKED -	REVISED -
	PLOT DATE = 1/25/2013 3:34:53 PM	DATE -	REVISED -

STATE OF ILLINOIS
 DEPARTMENT OF TRANSPORTATION

HORNER &
 SHIRIN, INC.
 ENGINEERS

MISCELLANEOUS DETAILS

MEDIAN INLET DETAIL

SCALE: NONE SHEET NO. 1 OF 22 SHEETS STA. TO STA.

F.A.P. RTE.	SECTION	COUNTY	TOTAL SHEETS	SHEET NO.
312	68-WRS-1	MONROE	760	465
CONTRACT NO. 76817			ILLINOIS FED. AID PROJECT	