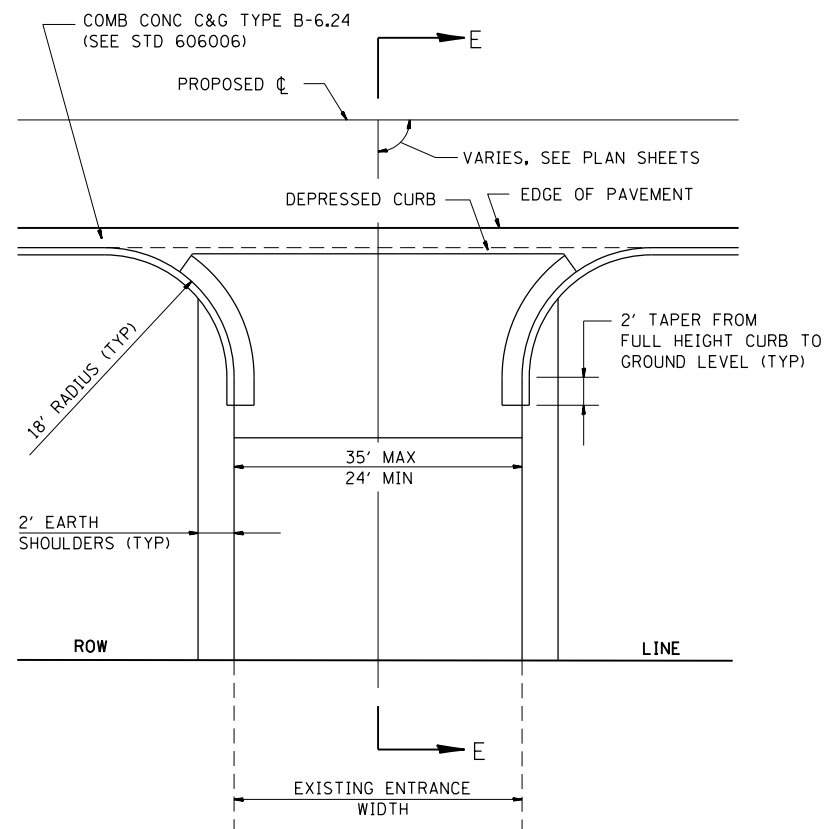
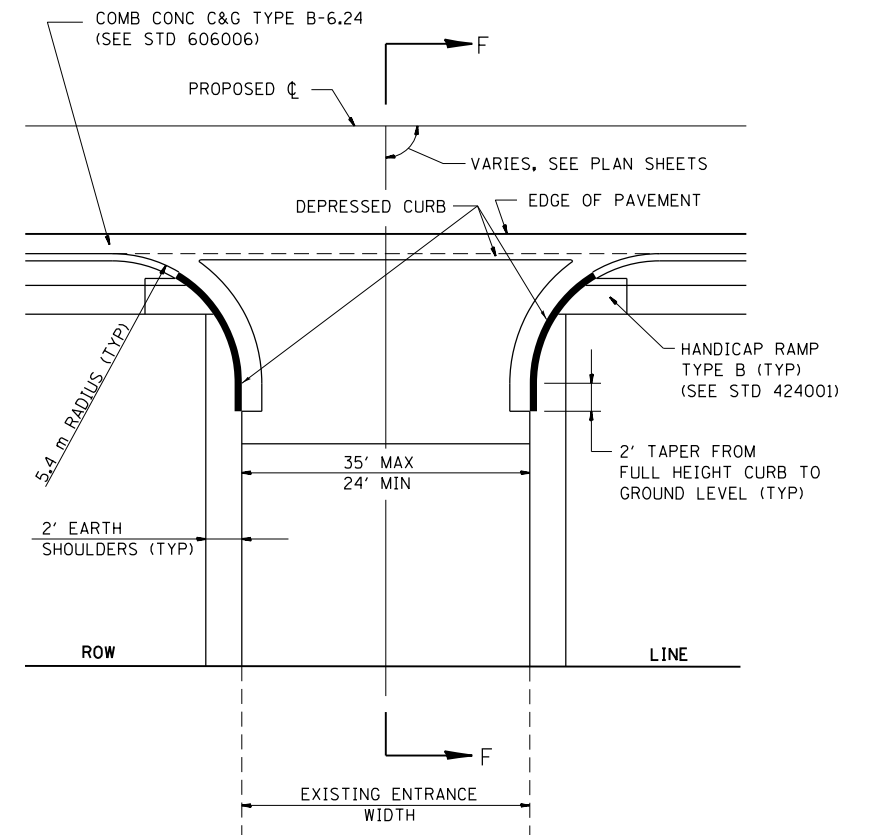


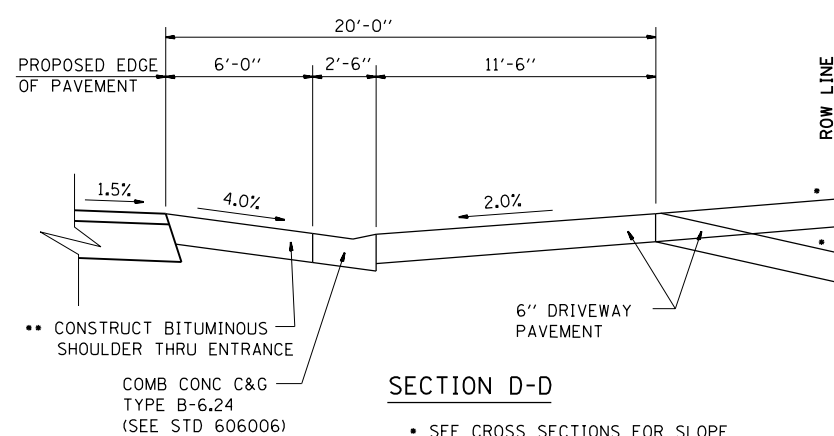
**CE DETAIL D**  
 COMMERCIAL ENTRANCE WITH PCC SIDEWALK ADJACENT TO BITUMINOUS SHOULDER AND COMBINATION CONCRETE CURB & GUTTER TYPE B-6.24



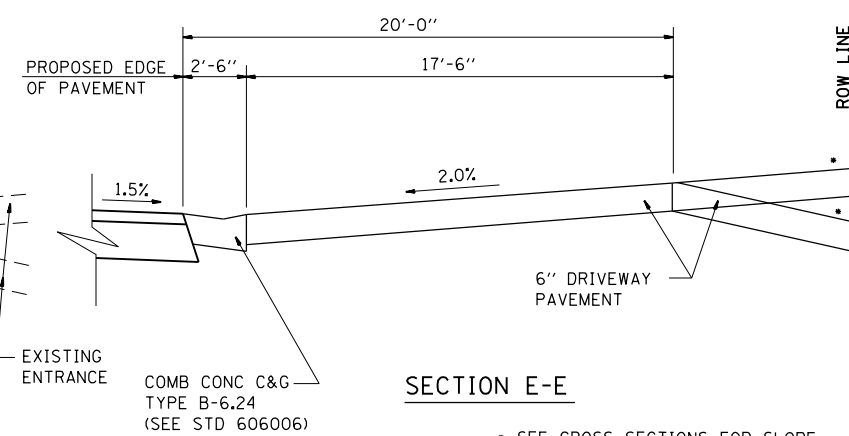
**CE DETAIL E**  
 COMMERCIAL ENTRANCE ADJACENT TO ROADWAY PAVEMENT WITH CONCRETE CURB & GUTTER TYPE B-6.24



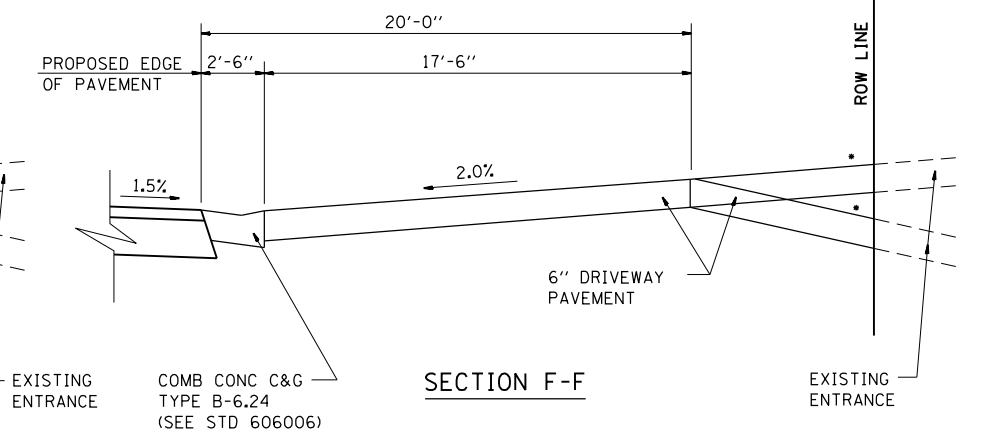
**CE DETAIL F**  
 COMMERCIAL ENTRANCE WITH PCC SIDEWALK ADJACENT TO ROADWAY PAVEMENT WITH CONCRETE CURB & GUTTER TYPE B-6.24



**SECTION D-D**  
 • SEE CROSS SECTIONS FOR SLOPE  
 • OMIT AT CONCRETE ENTRANCES  
 SEE PLANS FOR EXISTING SURFACE TYPE



**SECTION E-E**  
 • SEE CROSS SECTIONS FOR SLOPE  
 SEE PLANS FOR EXISTING SURFACE TYPE



**SECTION F-F**  
 • SEE CROSS SECTIONS FOR SLOPE  
 SEE PLANS FOR EXISTING SURFACE TYPE

TYPE OF ENTRANCE	EXISTING MATERIAL	NEW ENTRANCE MATERIAL (BEYOND RADIUS RETURNS OR TAPERS)				
		PCC DRIVEWAY PAVEMENT (6")	PCC DRIVEWAY PAVEMENT (8")	INCIDENTAL BITUMINOUS CONC SURFACING (2")	AGGREGATE BASE COURSE TYPE B (2")	AGGREGATE SURFACE COURSE TYPE B (2")
PRIVATE	CONCRETE	X				
	BITUMINOUS			X	X	
	AGGREGATE					X
COMMERCIAL	CONCRETE		X			
	BITUMINOUS		X			
	AGGREGATE		X			

LAST SAVED = 1/25/2013 3:34:55 PM  
 PEN TABLE = 1/25/2013 3:34:55 PM  
 PLOT DRIVER = pdfplotlayers.pltcf9

FILE NAME =	USER NAME = beriechmann	DESIGNED -	REVISED -
1:\1001100\Phase II - 76817\Cad\T\Plans\299_0876817-sht-details.dgn		DRAWN -	REVISED -
		CHECKED -	REVISED -
		DATE -	REVISED -

**STATE OF ILLINOIS**  
**DEPARTMENT OF TRANSPORTATION**

**HORNER & SHIRIN, INC.**  
**ENGINEERS**

**MISCELLANEOUS DETAILS**  
 ENTRANCE DETAILS

SCALE: NONE SHEET NO. 4 OF 22 SHEETS STA. TO STA.

F.A.P. RTE.	SECTION	COUNTY	TOTAL SHEETS	SHEET NO.
312	68-WRS-1	MONROE	760	468
CONTRACT NO. 76817				

ILLINOIS FED. AID PROJECT