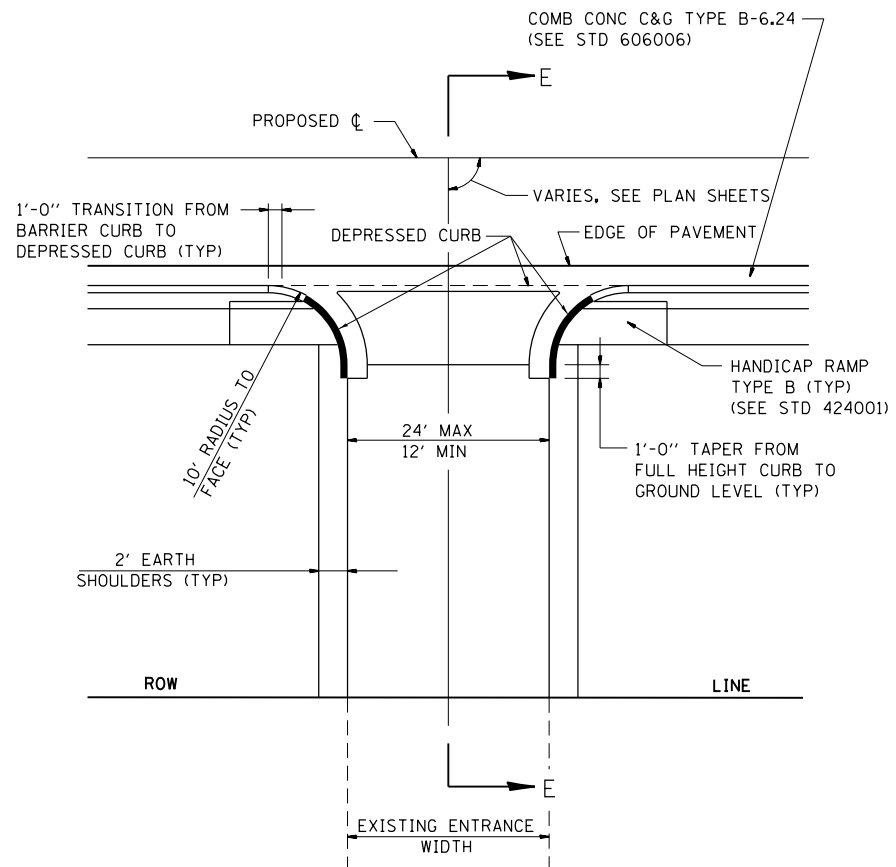


**PE DETAIL D**

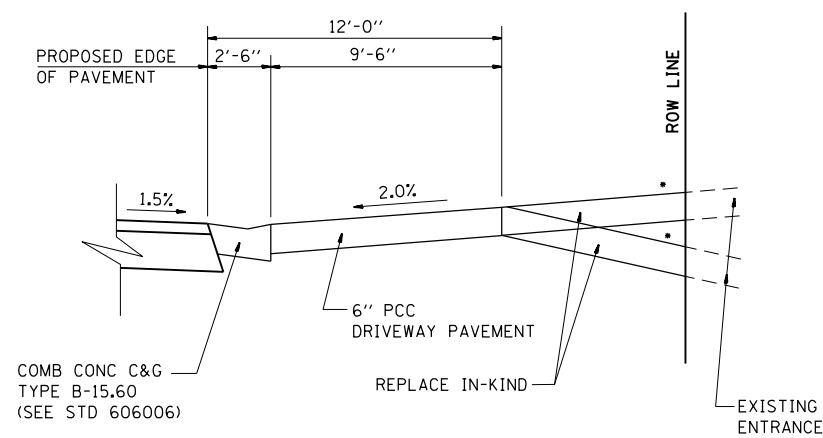
PRIVATE ENTRANCE ADJACENT TO ROADWAY PAVEMENT WITH CONCRETE CURB & GUTTER TYPE B-6.24



**PE DETAIL E**

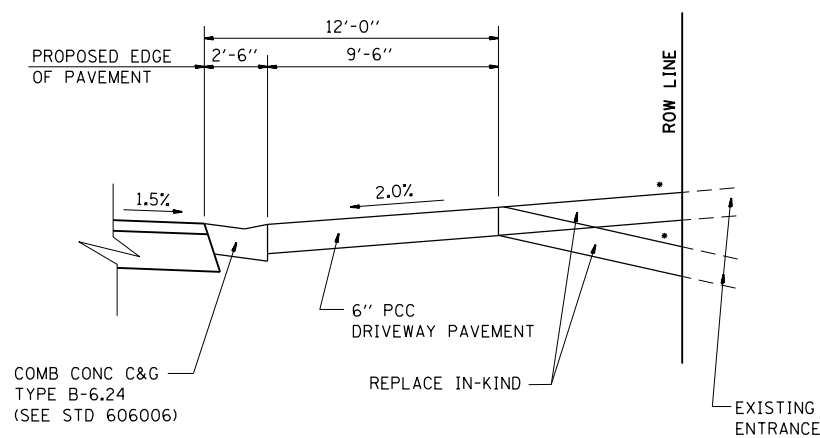
PRIVATE ENTRANCE WITH PCC SIDEWALK ADJACENT TO ROADWAY PAVEMENT WITH CONCRETE CURB & GUTTER TYPE B-6.24

TYPE OF ENTRANCE	EXISTING MATERIAL	NEW ENTRANCE MATERIAL (BEYOND RADIUS RETURNS OR TAPERS)				
		PCC DRIVEWAY PAVEMENT (150 mm)	PCC DRIVEWAY PAVEMENT (200 mm)	INCIDENTAL BITUMINOUS CONC SURFACING, (50 mm)	AGGREGATE BASE COURSE TYPE B (150 mm)	AGGREGATE SURFACE COURSE TYPE B (150 mm)
PRIVATE	CONCRETE	X				
	BITUMINOUS AGGREGATE			X	X	X
COMMERCIAL	CONCRETE		X			
	BITUMINOUS		X			
	AGGREGATE		X			



**SECTION D-D**

- SEE CROSS SECTIONS FOR SLOPE
- OMIT AT CONCRETE ENTRANCES
- SEE PLANS FOR EXISTING SURFACE TYPE



**SECTION E-E**

- SEE CROSS SECTIONS FOR SLOPE
- OMIT AT CONCRETE ENTRANCES
- SEE PLANS FOR EXISTING SURFACE TYPE

LAST SAVED = 1/25/2013  
 PEN TABLE = 1/25/2013  
 PLOT DRIVER = pdfplotlayers.plt

FILE NAME =	USER NAME = beriechmann	DESIGNED -	REVISED -
1:\1001100\Phase II - 76817\Cad\T\Plans\299_0876817-sht-details.dgn		DRAWN -	REVISED -
	PLOT SCALE = 100.0000' / 1"	CHECKED -	REVISED -
	PLOT DATE = 1/25/2013 3:34:56 PM	DATE -	REVISED -

STATE OF ILLINOIS  
 DEPARTMENT OF TRANSPORTATION

HORNER &  
 SHIRIN, INC.  
 ENGINEERS

MISCELLANEOUS DETAILS  
 ENTRANCE DETAILS

SCALE: NONE SHEET NO. 6 OF 22 SHEETS STA. TO STA.

F.A.P. RTE.	SECTION	COUNTY	TOTAL SHEETS	SHEET NO.
312	68-WRS-1	MONROE	760	470
CONTRACT NO. 76817				
ILLINOIS FED. AID PROJECT				