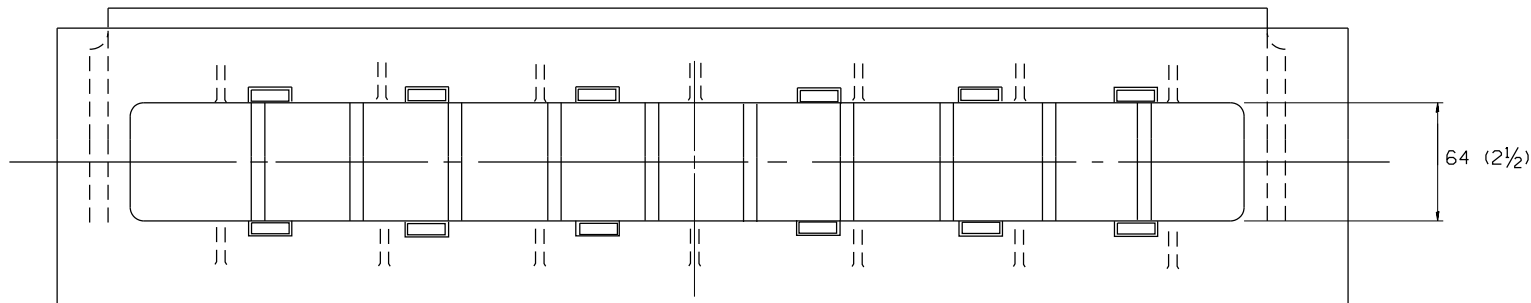
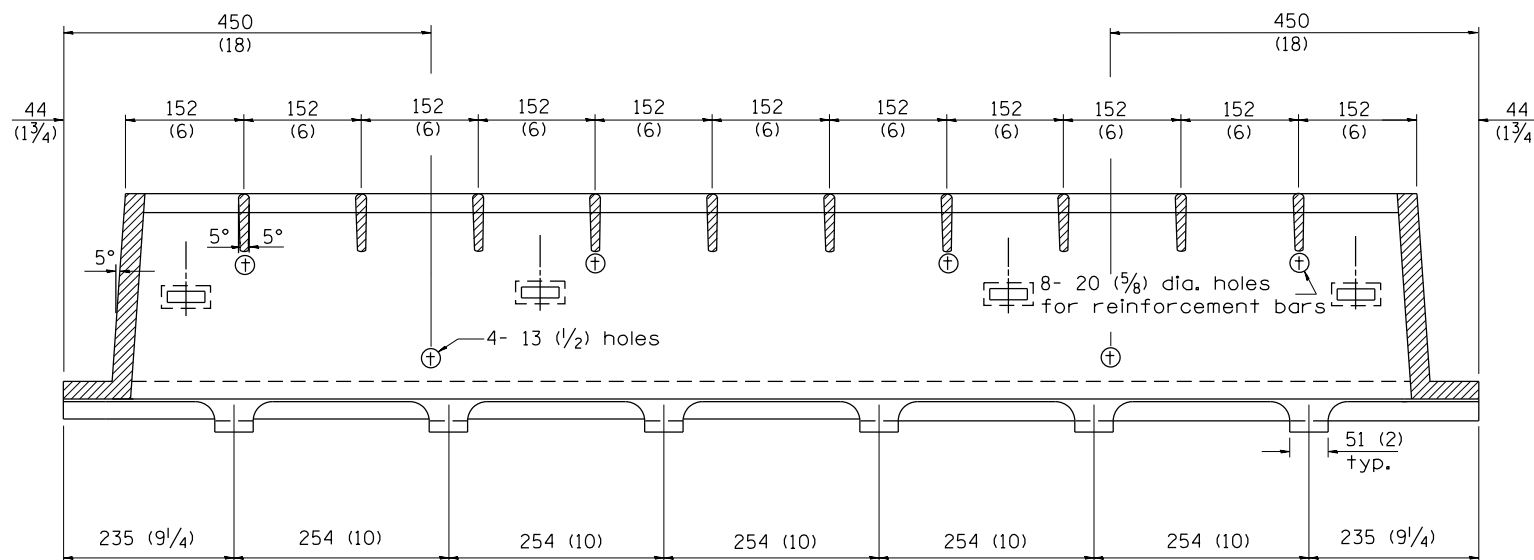


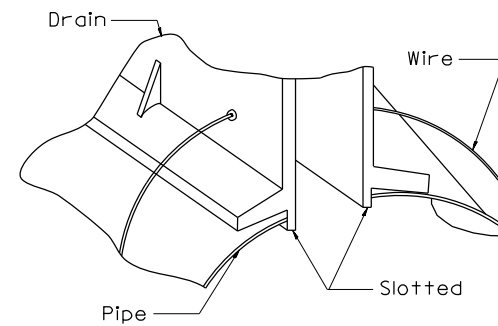
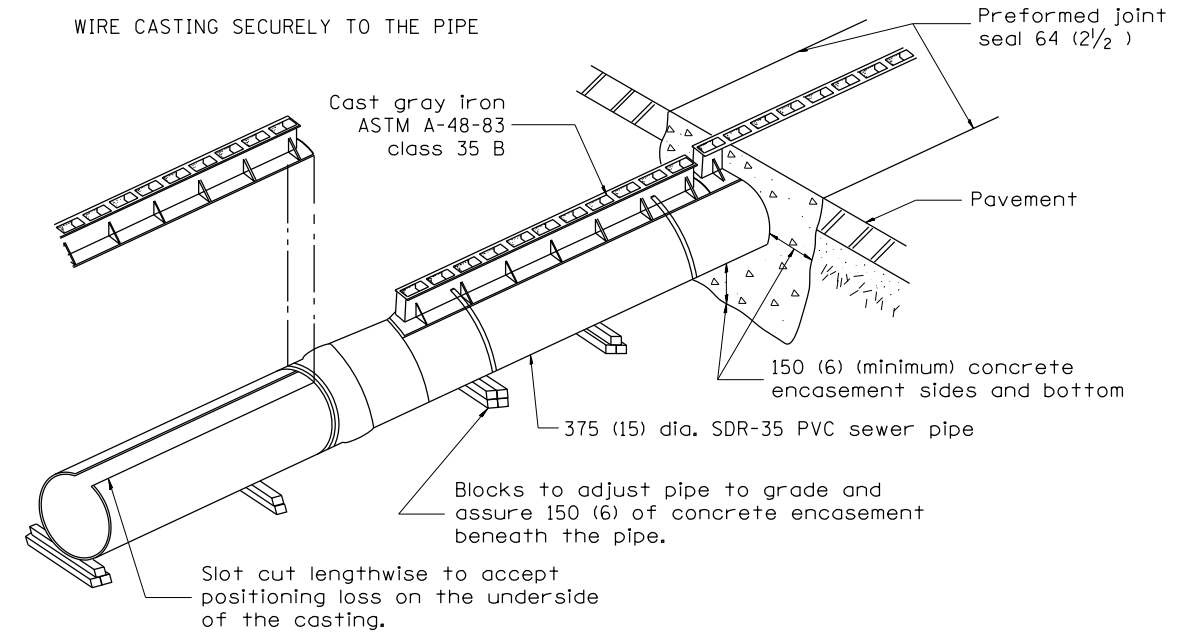
TOP VIEW



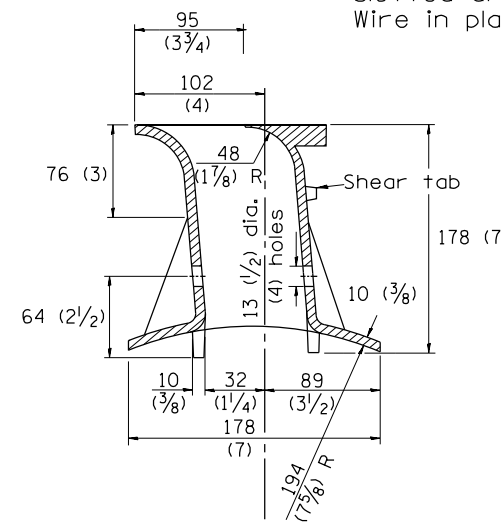
BOTTOM VIEW



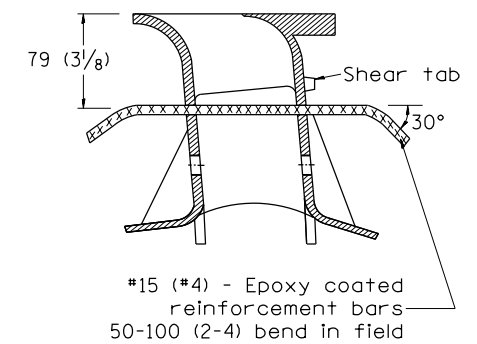
SECTION B-B



NOTE:
Saw slot in pipe. Insert slotted drain in pipe. Wire in place.



SECTION A-A



#15 (#4) - Epoxy coated reinforcement bars
50-100 (2-4) bend in field

All dimensions are in millimeters (inches) unless otherwise noted.

LAST SAVED = 1/25/2013
PEN TABLE = 1/25/2013
PLOT DRIVER = pdfplotlayers.pltcf9

FILE NAME =	USER NAME = beriechmann	DESIGNED -	REVISED -
1:\1001100\Phase II - 76817\Cad\T\Plans\299_0876817-sht-details.dgn		DRAWN -	REVISED -
	PLOT SCALE = 100.0000' / 1"	CHECKED -	REVISED -
	PLOT DATE = 1/25/2013 3:35:07 PM	DATE -	REVISED -

STATE OF ILLINOIS
DEPARTMENT OF TRANSPORTATION

HORNER &
SHIRIN, INC.
ENGINEERS

MISCELLANEOUS DETAILS
SLOTTED VANE DRAIN

SCALE: NONE

SHEET NO. 15 OF 22 SHEETS STA. TO STA.

F.A.P. RTE.	SECTION	COUNTY	TOTAL SHEETS	SHEET NO.
312	68-WRS-1	MONROE	760	479
CONTRACT NO. 76817				
ILLINOIS FED. AID PROJECT				