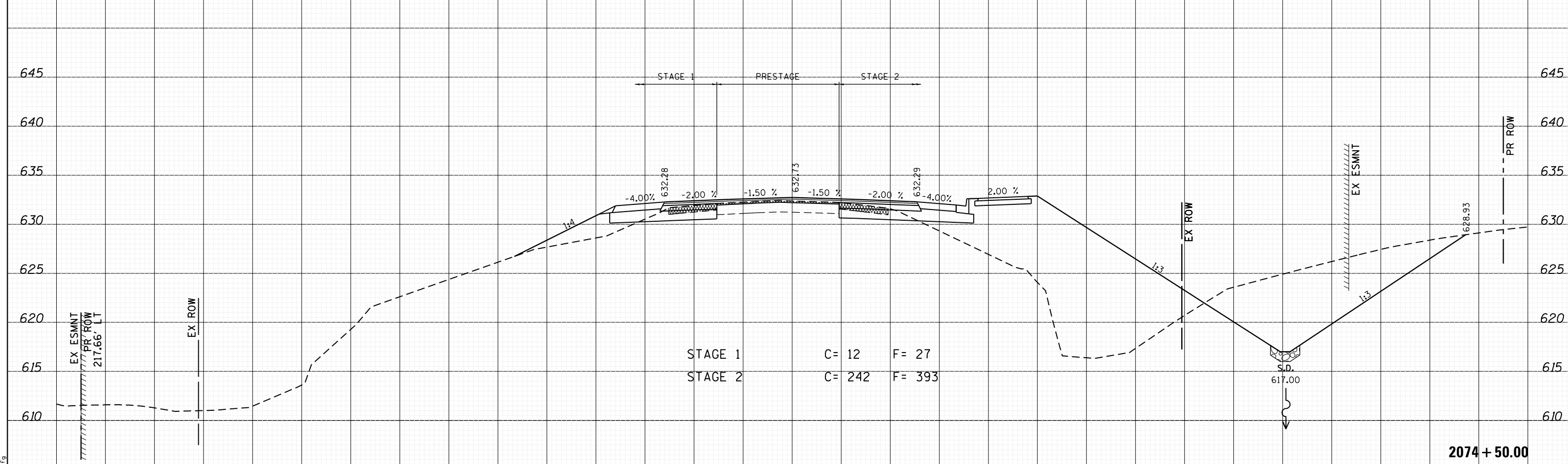
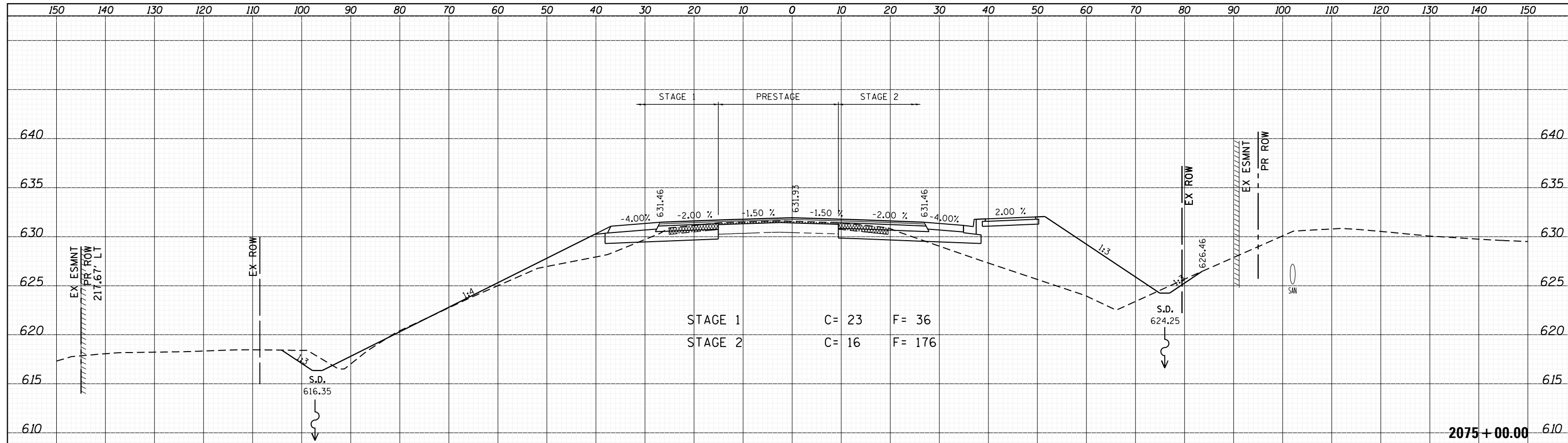


DATE	
BY	
SURVEYED	
PLOTTED	
TEMPLATE	
AREAS	
CHECKED	
FINAL SURVEY	
NOTE BOOK	
NO.	

DATE	
BY	
SURVEYED	
PLOTTED	
TEMPLATE	
AREAS	
CHECKED	
ORIGINAL SURVEY	
NOTE BOOK	
NO.	



LAST SAVED = 1/25/2013
 PEN TABLE = V:\H&S\1001\Phase II - 76817\Cad\T\Plans\300.08
 PLOT DRIVER = PdfPlotterServer.batcf9

FILE NAME =	USER NAME = kakluos	DESIGNED -	REVISED -
I:\10011001\Phase II - 76817\Cad\T\Plans\300.08	6817-sh1-IL3-xssht.dgn	DRAWN -	REVISED -
	PLOT SCALE = 20.0000' / in.	CHECKED -	REVISED -
	PLOT DATE = 1/25/2013 4:57:03 PM	DATE -	REVISED -

STATE OF ILLINOIS
 DEPARTMENT OF TRANSPORTATION



SCALE: SHEET 93 OF 197 SHEETS STA. 2074+50.00 TO STA. 2075+00.00

CROSS SECTIONS
 IL ROUTE 3

F.A.P. RTE.	SECTION	COUNTY	TOTAL SHEETS	SHEET NO.
312	68-WRS-1	MONROE	760	579
CONTRACT NO. 76817			ILLINOIS FED. AID PROJECT	