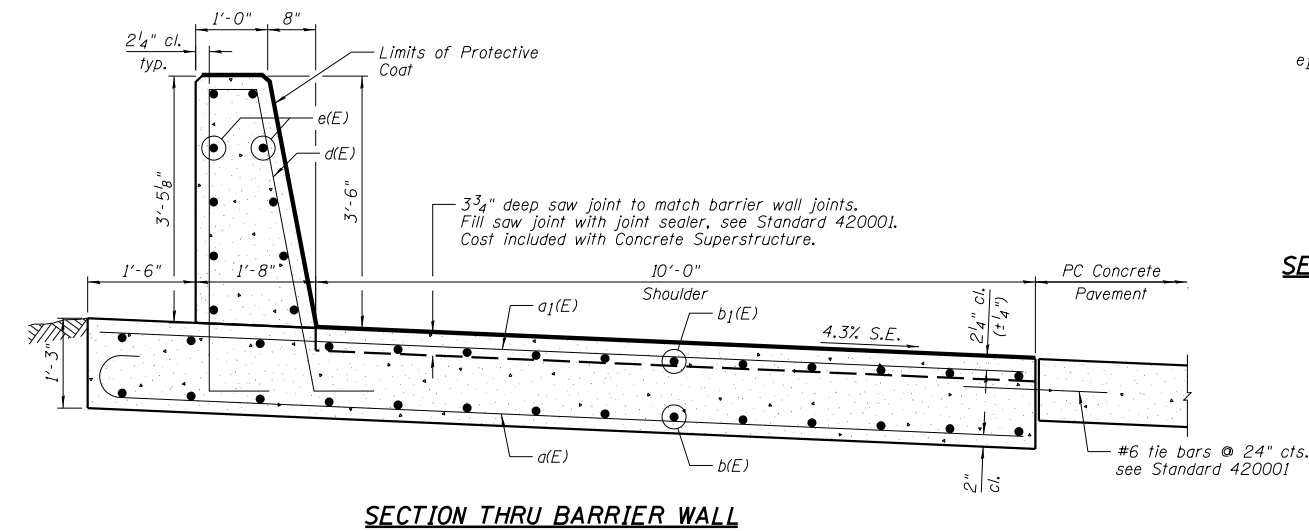
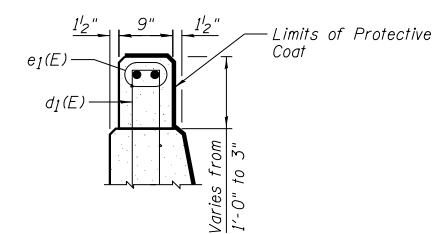


INSIDE ELEVATION OF BARRIER WALL NO. 1

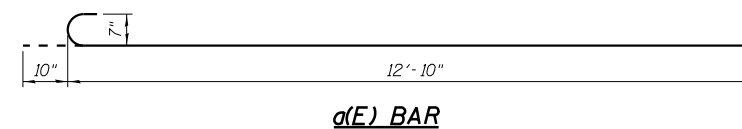
BAR LAP
#5 - 2'-7"



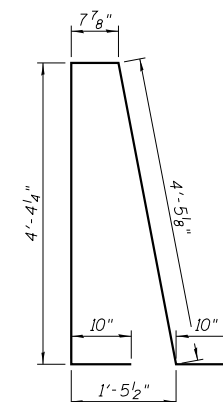
SECTION THRU BARRIER WALL



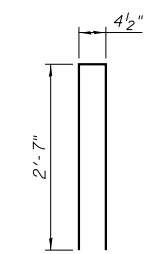
SECTION THRU BARRIER WALL TRANSITION



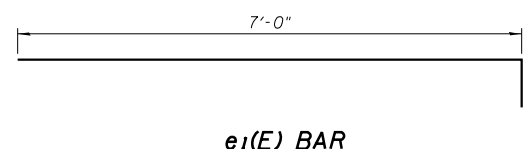
d(E) BAR



d(E) BAR



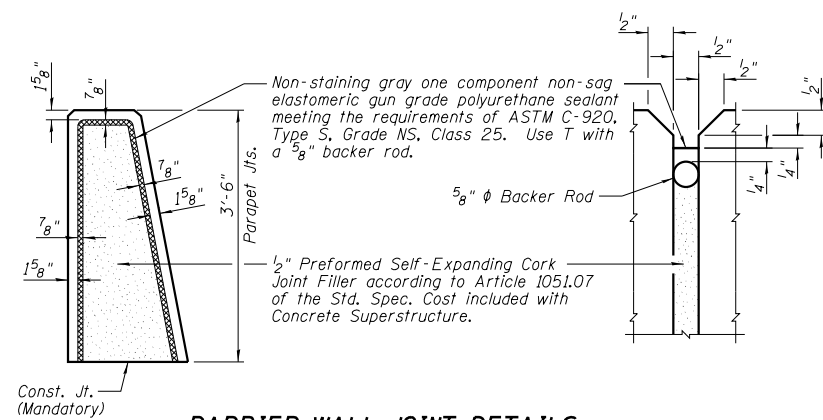
d1(E) BAR



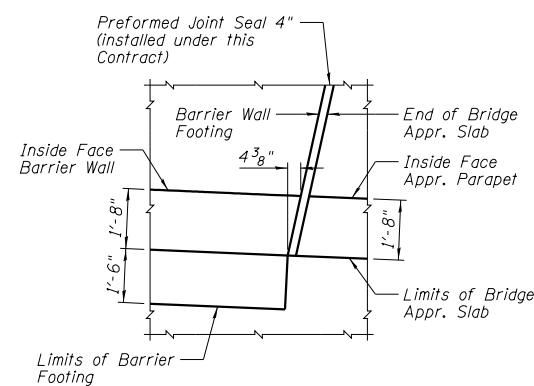
e1(E) BAR

**BARRIER WALL NO. 1
BILL OF MATERIAL**

Bar	No.	Size	Length	Shape
d(E)	306	#7	13'-8"	—
a1(E)	306	#7	12'-10"	—
b(E)	126	#5	30'-8"	—
b1(E)	238	#5	14'-8"	—
d(E)	510	#5	11'-2"	⌋
d1(E)	12	#5	5'-7"	⌋
e(E)	170	#6	14'-8"	—
e1(E)	2	#4	7'-8"	—
Item		Unit	Quantity	
Concrete Superstructure		Cu. Yd.	199.2	
Protective Coat		Sq. Yd.	413	
Reinforcement Bars, Epoxy Coated		Pound	34,010	



BARRIER WALL JOINT DETAILS



DETAIL A

NOTES:

- 1.) See Sheet P1 for location of Barrier Wall.
- 2.) See Sheet P1 for location of Detail A.
- 3.) Bars indicated thus 14x9-#5 etc. indicates 14 lines of bars with 9 lengths per line.
- 4.) E.F. denotes Each Face.
- 5.) Maximum Allowance Soil Bearing Capacity = 4.0 ksf.