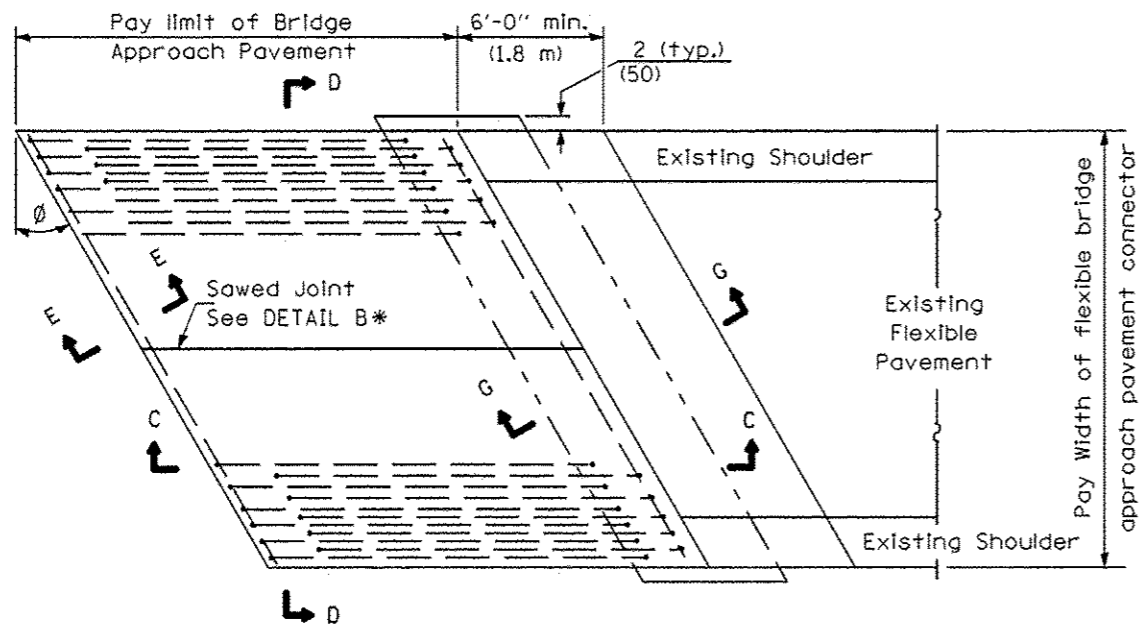
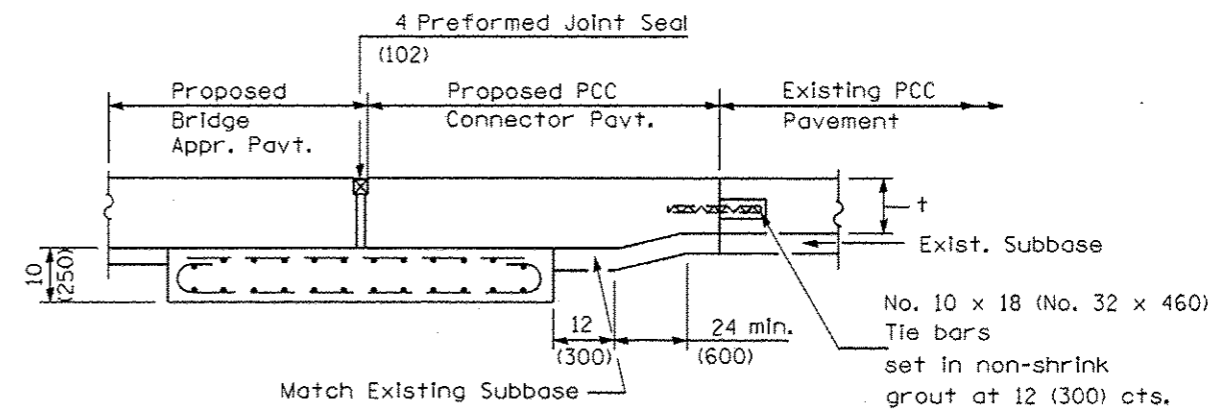


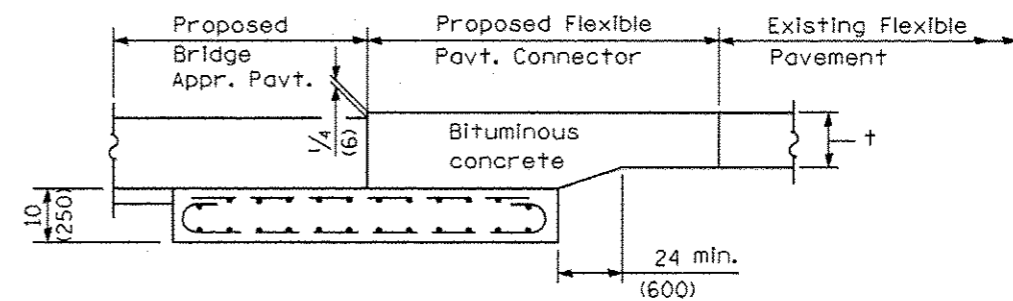
**BRIDGE APPROACH PAVEMENT CONNECTOR (PCC)**



**BRIDGE APPROACH PAVEMENT CONNECTOR (FLEXIBLE)**



**SECTION G-G - RIGID PAVEMENT**



**SECTION G-G - FLEXIBLE PAVEMENT**

Illinois Department of Transportation  
 APPROVED January 1, 2008  
*Ralph E. Anderson*  
 ENGINEER OF BRIDGES AND STRUCTURES  
 APPROVED January 1, 2008  
*Ken E. Han*  
 ENGINEER OF DESIGN AND ENVIRONMENT  
 ISSUED 1-1-97

<b>BRIDGE APPROACH PAVEMENT</b>		
<b>SHEET NO.</b>	<b>TOTAL</b>	(Sheet 2 of 4)
27	72	
<b>STANDARD 420401-06</b>		