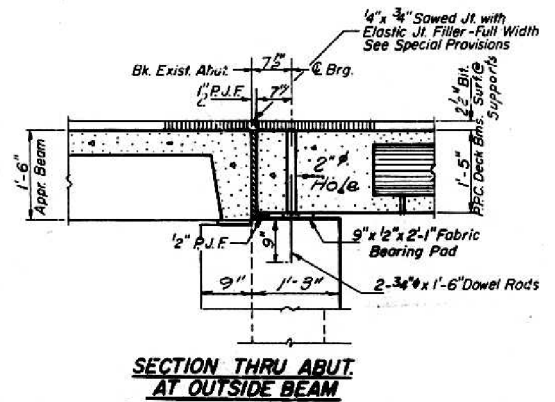
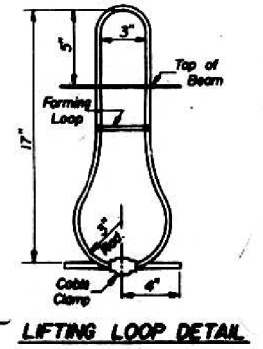
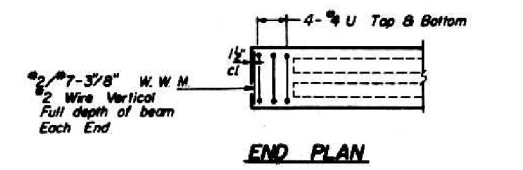
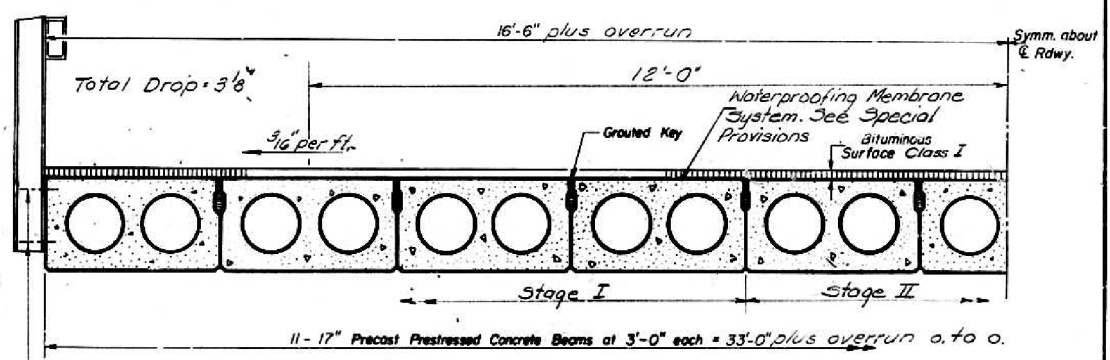
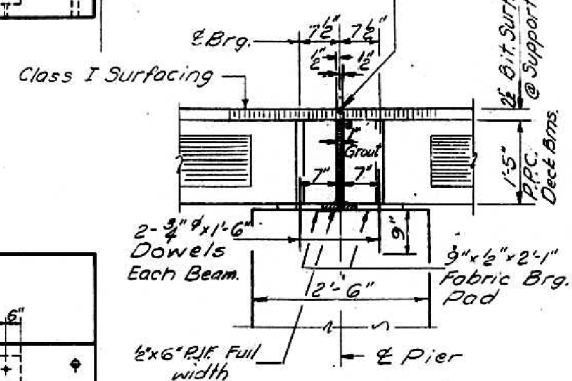
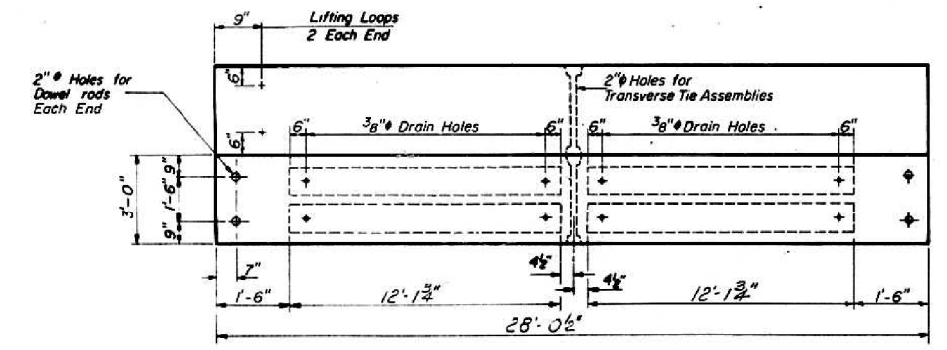
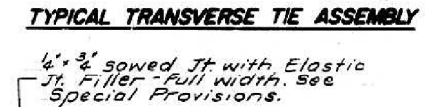
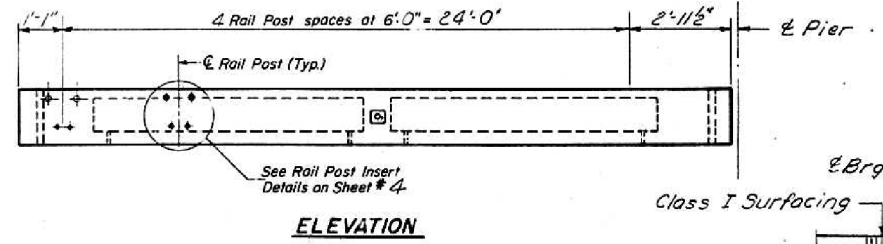
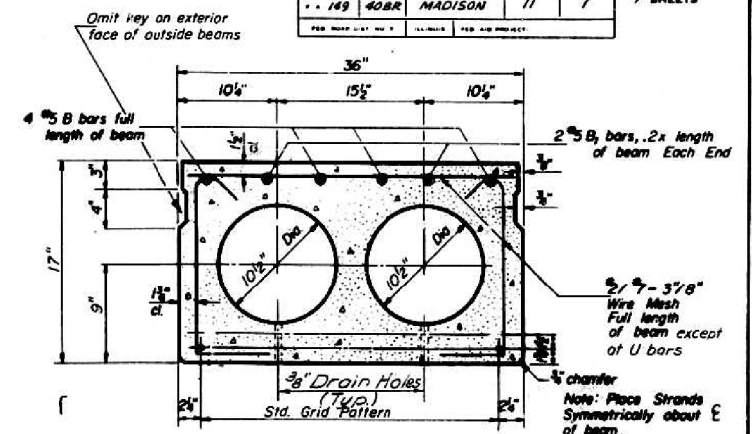
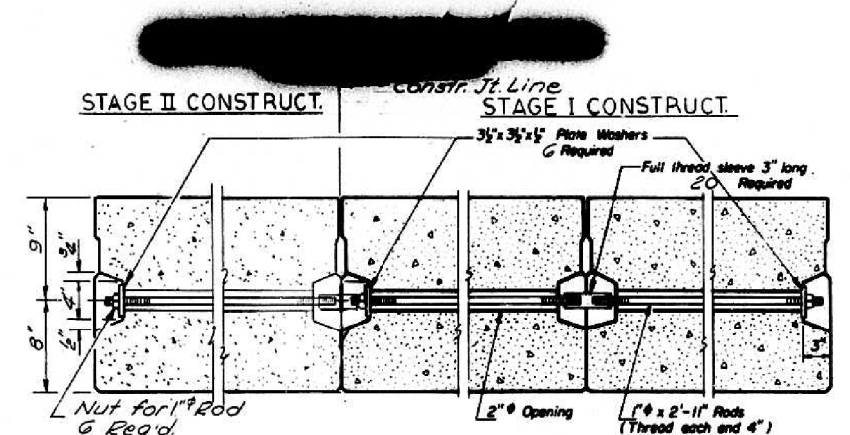
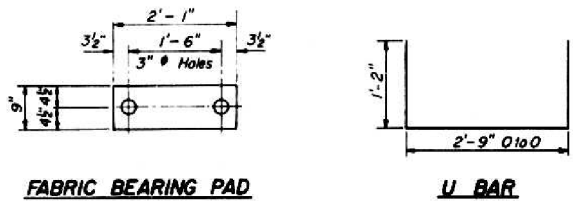


|           |         |         |              |           |           |
|-----------|---------|---------|--------------|-----------|-----------|
| ROUTE NO. | SECTION | COUNTY  | TOTAL SHEETS | SHEET NO. | SHEET NO. |
| 149       | 40BR    | MADISON | 11           | 7         | 7 SHEETS  |



**GENERAL NOTES**

Prestressing steel shall be non-galvanized high strength, stress-relieved 7-wire strand, Grade 270. The nominal diameter shall be 1/2" and the nominal cross-sectional area shall be 0.115 sq. in. Lifting loops shall be 1/2" diameter, G25 class wire rope with fiber core and shall have a minimum ultimate tensile strength of 15,700 lbs.

The 1" rods in the transverse tie assembly shall be tightened to a snug fit and the threads set. Pockets that receive transverse tie bar on outside beam shall be filled with grout after transverse tie assembly is in place.

Longitudinal shear keys shall be packed with a very dry mix of 2:1 sand and P.C. mortar. After beams have been erected, holes for dowel anchors shall be drilled into sub-structure. Dowel bars shall be grouted in place.

Dowel rods shall be ASTM A306 or A615 bars. Transverse tie rods shall be ASTM A306 Grade 70-80.

After fabrication the transverse tie assemblies (the rods, nuts, washers and sleeves) shall be hot-dipped galvanized in accordance with A.S.T.M. Designation: A153.

Cost of reinforcement and accessories cast into the beam of bearing pads, of armor angles, and of grouting longitudinal shear keys is included in unit price bid for "Precast Prestressed Concrete Deck Beams."

Ends of beams shall be aligned at the abutment joints. Any linear variation in the beam lengths shall be placed at the Pier joint.

**BILL OF MATERIAL**

|   |         |      |
|---|---------|------|
| Precast Prestressed Concrete Deck Beams | Sq. Ft. | 1851 |
| Removal of Existing Superstructure      | Each    | 1    |

DESIGNED: *[Signature]*  
 CHECKED: F. Mercado  
 DRAWN: J. L. Armstrong  
 EXAMINED: *[Signature]*  
 PASSED: *[Signature]*  
 APPROVED: *[Signature]*

PD-1-S 11-19-63 Rev 5-20-68  
 SR-1 17" P.C. Dk Bms

**SUPERSTRUCTURE**  
 F.A. RT 793 SEC. 40 B.R.  
 MADISON COUNTY  
 STA 56+45.00

FOR INFORMATION ONLY