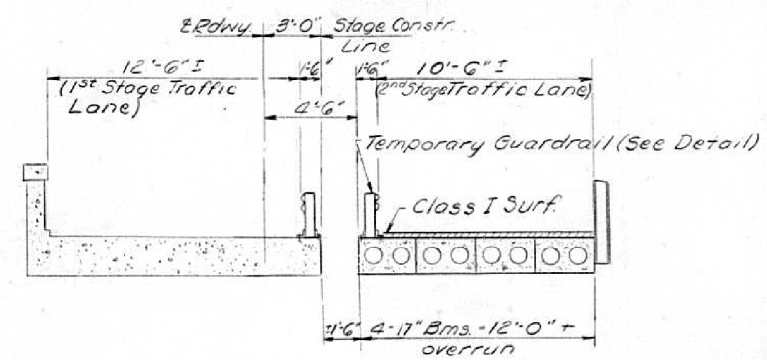
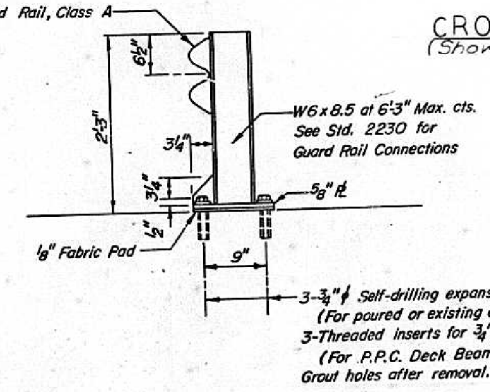


Bonded Construction Joint. See Art. 504.13 (a)(2) of Standard Specifications.

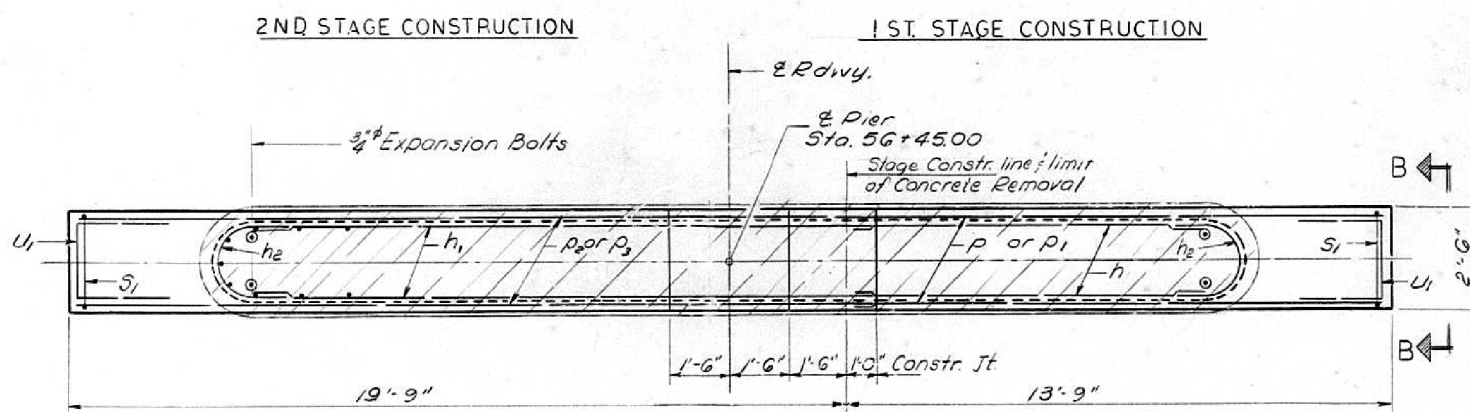
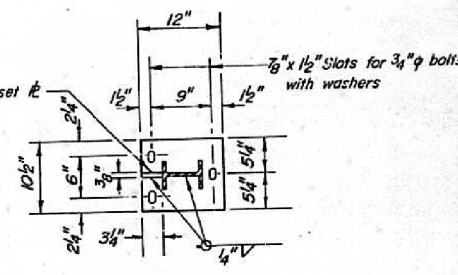
ELEVATION
LOOKING EAST



CROSS SECTION
(Showing Stage Constr.)



TEMPORARY GUARD RAIL DETAIL
See Special Provisions

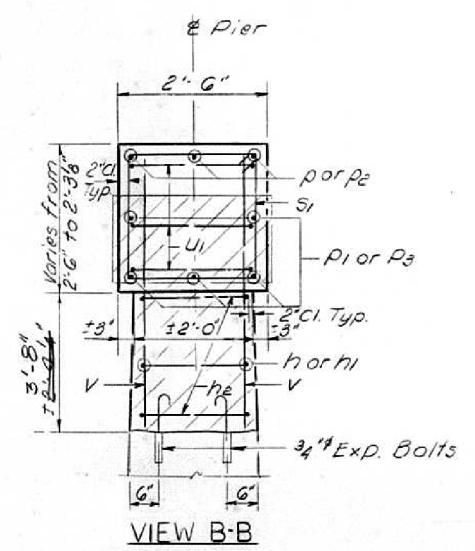
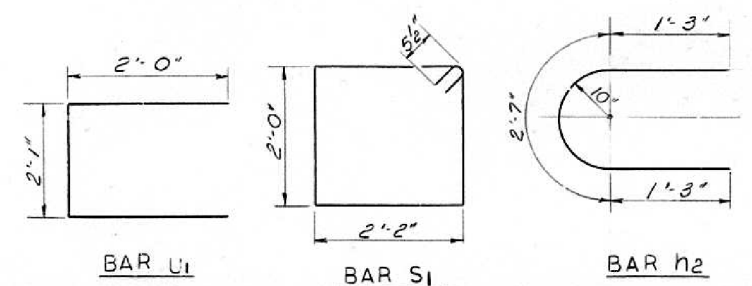


Notes:
Hatched area indicates Concrete Removal.
Expansion Bolts shall be anchored in sound concrete.
All edges shall have Standards 3/4" chamfers except as noted.

PLAN

DESIGNED: *[Signature]*
CHECKED: E. Mercado
DRAWN: F. Mercado
CHECKED: *[Signature]*

EXAMINED: *[Signature]* APRIL 27 1971
PASSED: *[Signature]*
APPROVED: *[Signature]*



VIEW B-B

BILL OF MATERIAL				
Bar	No.	Size	Length	Shape
h	6	#4	9'-0"	—
h1	6	#4	16'-0"	—
h2	6	#4	4'-7"	U
p	3	#10	13'-6"	—
p1	5	#5	13'-6"	—
p2	3	#10	20'-6"	—
p3	5	#5	20'-6"	—
S1	32	#5	9'-3"	□
U1	6	#6	6'-1"	□
V	56	#5	4'-0"	—
Class X Concrete			Cu Yds.	121
Reinforcement Bars			Lbs.	1350
Expansion Bolts 3/4" Each				32
Concrete Removal			Cu Yds.	9

PIER
F.A. RT. 795 SEC. 40 BR
MADISON COUNTY
STA 56+45.00

FOR INFORMATION ONLY