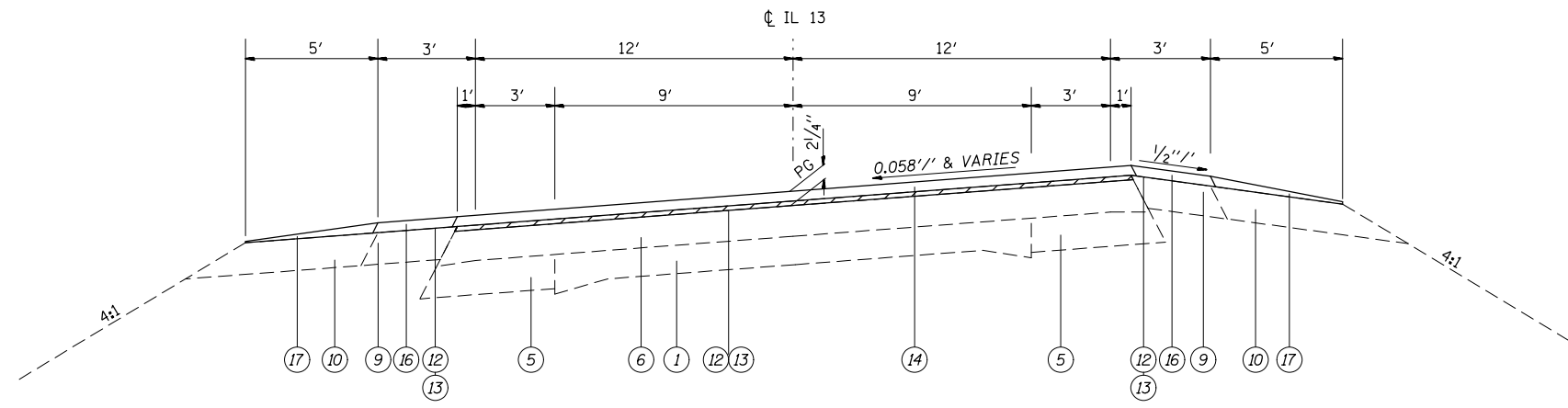


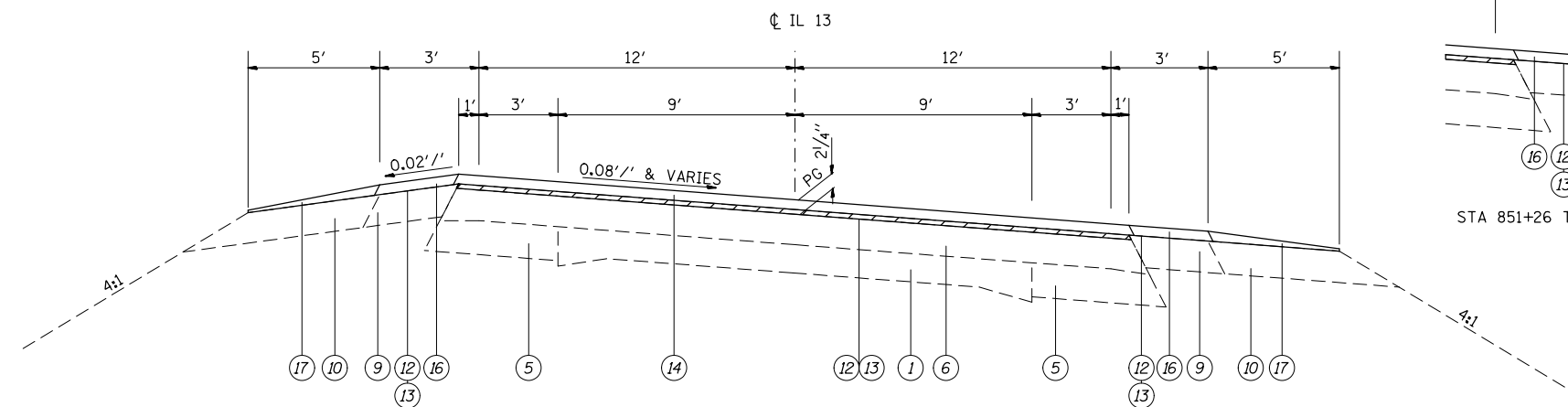
**LEGEND**

- ① EXISTING PCC PAVEMENT (9'-6"-9')
- ② EXISTING PCC BASE COURSE 10"
- ③ EXISTING HMA BASE COURSE 11"
- ④ EXISTING HMA BINDER CSE 12"
- ⑤ EXISTING HMA BASE COURSE WIDENING 9"
- ⑥ EXISTING HMA OVERLAY
- ⑦ EXISTING CONCRETE CURB & GUTTER
- ⑧ EXISTING CONCRETE GUTTER, TYPE A
- ⑨ EXISTING HMA SHOULDER
- ⑩ EXISTING AGGREGATE SHOULDER
- ⑪ EXISTING CONCRETE SHOULDER
- ⑫ PROPOSED BITUMINOUS MATERIALS (PRIME COAT)
- ⑬ PROPOSED AGGREGATE (PRIME COAT)
- ⑭ PROPOSED HMA SURFACE COURSE, 2 1/4 "
- ⑮ OMITTED
- ⑯ PROPOSED HMA SHOULDERS, 1 1/2"
- ⑰ PROPOSED AGGREGATE WEDGE SHOULDER, TYPE B

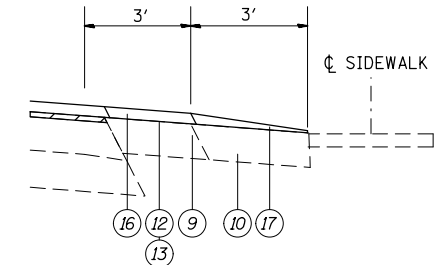
-HMA SURFACE REMOVAL - 3/4"



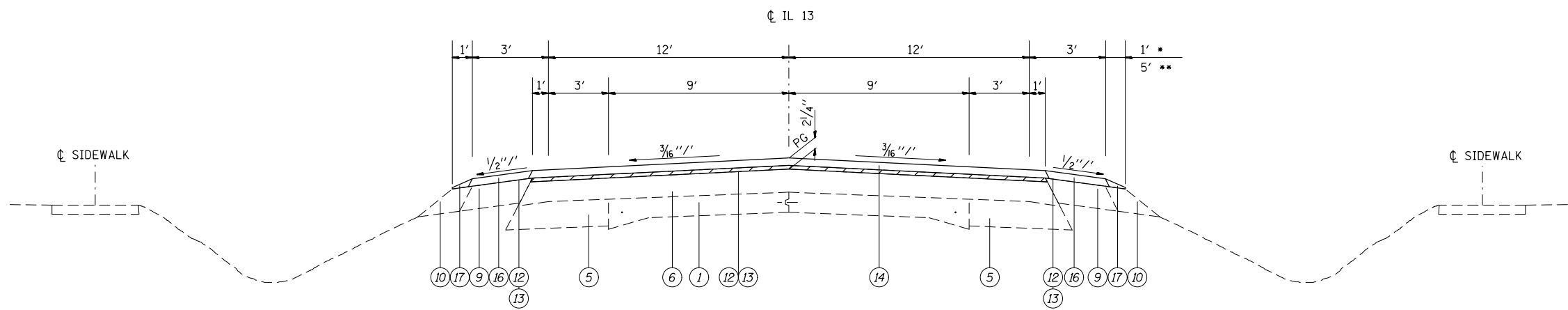
TYPICAL SECTION  
STA 831+21.83 TO STA 841+52.22



TYPICAL SECTION  
STA 841+81.81 TO STA 851+64.12



STA 851+26 TO STA 851+64.12 RT



TYPICAL SECTION  
STA 852+02 TO STA 866+05  
STA 881+97 TO STA 891+88 - (NO SHOULDER WORK)

- STA 856+09.5 TO STA 866+05
- STA 852+02 TO STA 855+77

FILE NAME =	USER NAME = chollandeske	DESIGNED -	REVISED -
et:\pw\work\p\dot\chollandeske\d0115523\0876E88-sh-typical.dgn		DRAWN -	REVISED -
	PLOT SCALE = 100.0000' / 1in.	CHECKED -	REVISED -
	PLOT DATE = 3/22/2013	DATE -	REVISED -

**STATE OF ILLINOIS  
DEPARTMENT OF TRANSPORTATION**

<b>TYPICAL SECTIONS</b>	
SCALE: N/A	SHEET NO. 3 OF 5 SHEETS
STA.	TO STA.

F.A.P. RTE.	SECTION	COUNTY	TOTAL SHEETS	SHEET NO.
103	(23,24)RS-4	ST. CLAIR	54	8
CONTRACT NO. 76E88				
ILLINOIS FED. AID PROJECT				